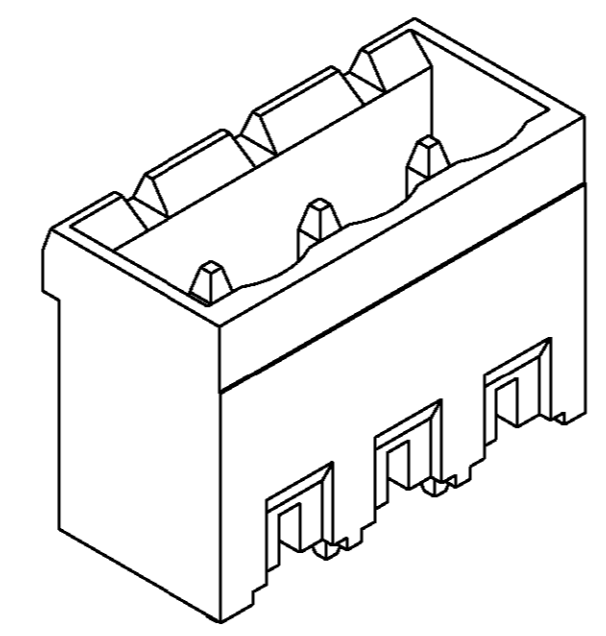
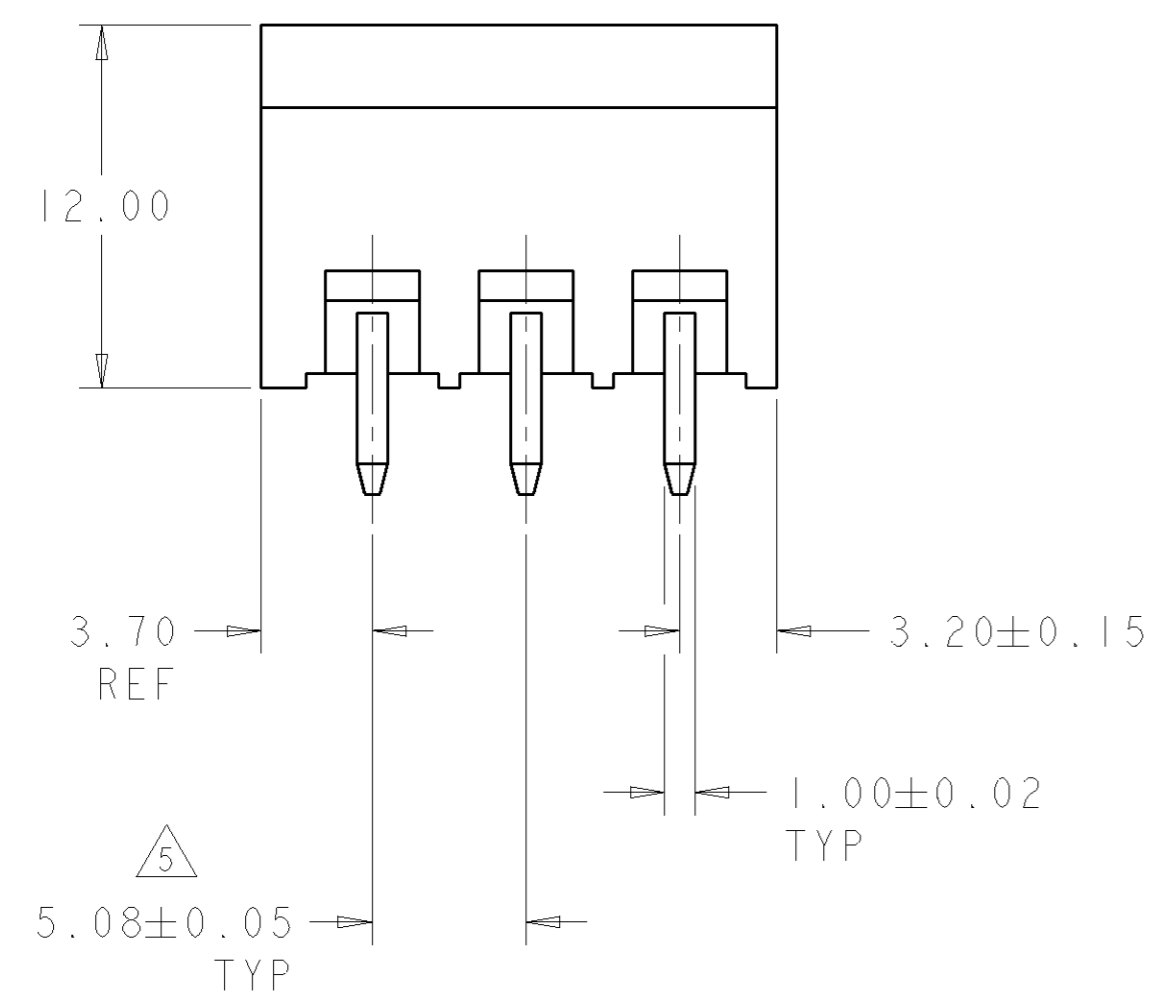
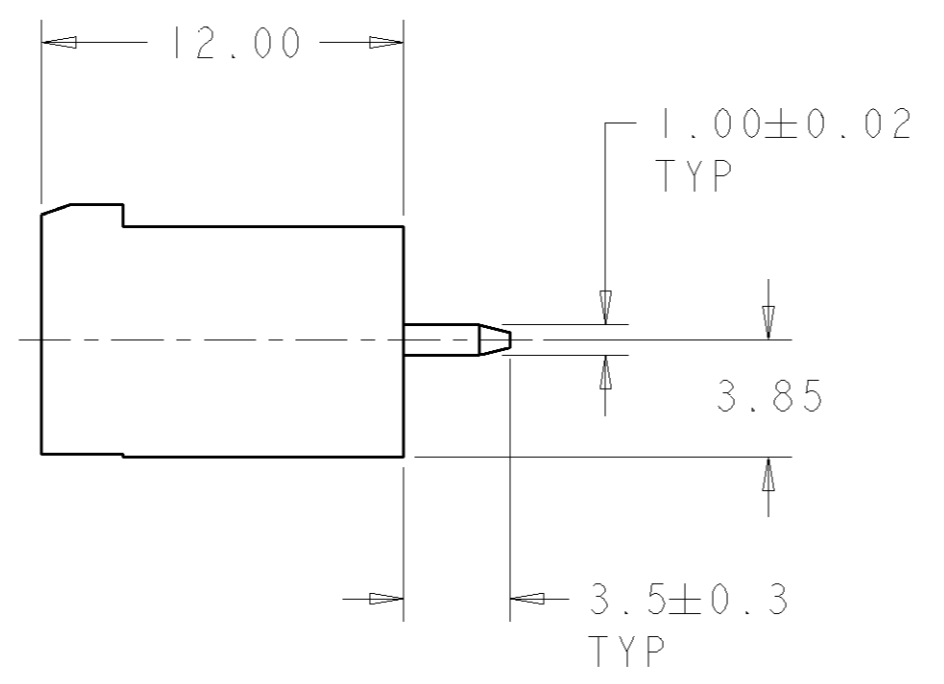
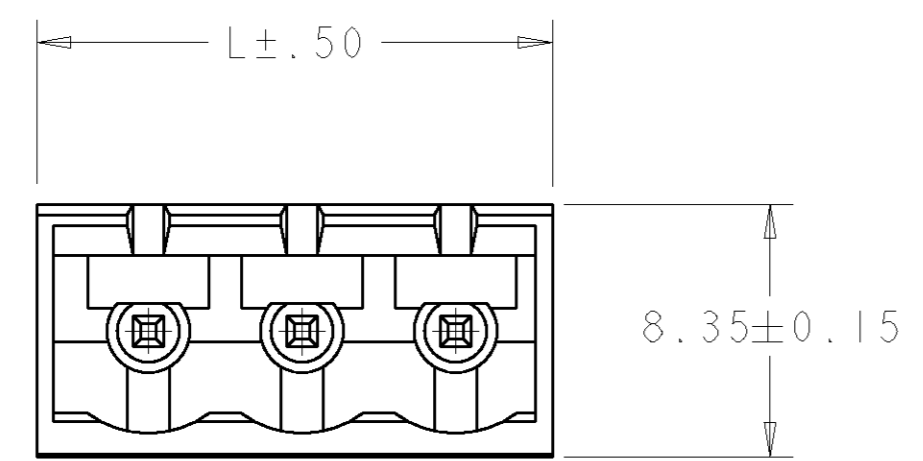
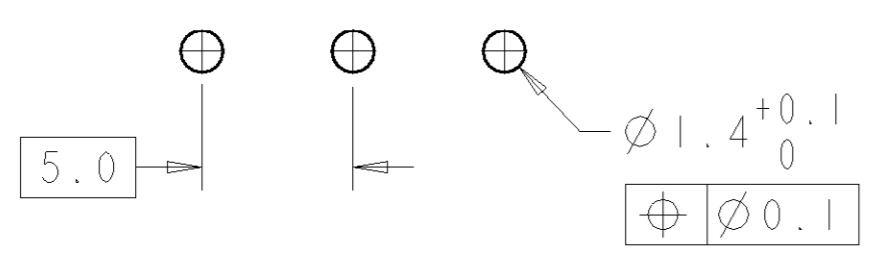


THIS DRAWING IS UNPUBLISHED. RELEASED FOR PUBLICATION 20
 © COPYRIGHT 20 BY TYCO ELECTRONICS CORPORATION. ALL RIGHTS RESERVED.

LOC	DIST	REVISIONS					
FT	0	P	LTR	DESCRIPTION	DATE	DWN	APVD
		A		RELEASED	19OCT2000	SW	DB
		B		REVISED EC 0G3B-0164-01	15APR2002	SW	DB
		C		REVISED EC 0G3B-0521-01	16APR2002	SW	DB



796636-3 AS SHOWN



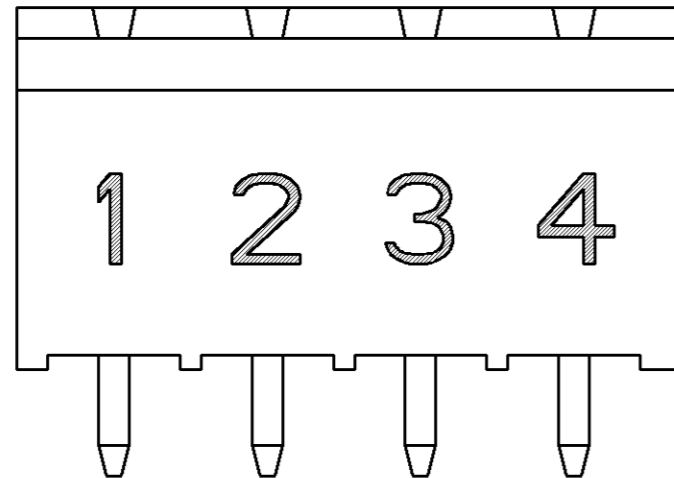
RECOMMENDED PC BOARD LAYOUT

MARKING	SPECIAL	DIM L	NO OF POSN	PART NUMBER	
△6		DETAIL L	22.14	4	2-796636-6
-	-	-	128.82	25	2-796636-5
-	-	-	123.74	24	2-796636-4
-	-	-	118.66	23	2-796636-3
-	-	-	113.58	22	2-796636-2
-	-	-	108.50	21	2-796636-1
-	-	-	103.42	20	2-796636-0
-	-	-	98.34	19	1-796636-9
-	-	-	93.26	18	1-796636-8
-	-	-	88.18	17	1-796636-7
-	-	-	83.10	16	1-796636-6
-	-	-	78.02	15	1-796636-5
-	-	-	72.94	14	1-796636-4
-	-	-	67.86	13	1-796636-3
-	-	-	62.78	12	1-796636-2
-	-	-	57.70	11	1-796636-1
-	-	-	52.62	10	1-796636-0
-	-	-	47.54	9	796636-9
-	-	-	42.46	8	796636-8
-	-	-	37.38	7	796636-7
-	-	-	32.30	6	796636-6
-	-	-	27.22	5	796636-5
-	-	-	22.14	4	796636-4
-	-	-	17.06	3	796636-3
-	-	-	11.98	2	796636-2

THIS DRAWING IS A CONTROLLED DOCUMENT FOR TYCO ELECTRONICS CORPORATION IT IS SUBJECT TO CHANGE AND THE CONTROLLING ENGINEERING ORGANIZATION SHOULD BE CONTACTED FOR THE LATEST REVISION.		DWN S. WELDON 19OCT2000 CHK D. BIEVENOUR 19OCT2000 APVD D. BIEVENOUR 19OCT2000	Tyco Electronics Harrisburg, PA 17105-3608
DIMENSIONS: mm	TOLERANCES UNLESS OTHERWISE SPECIFIED: 0 PLC ± 1 PLC ±0.3 2 PLC ±0.25 3 PLC ± 4 PLC ± ANGLES ± FINISH	PRODUCT SPEC - APPLICATION SPEC - WEIGHT -	NAME TERMI-BLOK HEADER ASSEMBLY, 180 DEGREE, CLOSED ENDS, 5.08mm PITCH
MATERIAL △	△	CUSTOMER DRAWING	SIZE A2 CAGE CODE 00779 DRAWING NO. G-796636 RESTRICTED TO - SCALE 4:1 SHEET 1 OF 2 REV C

THIS DRAWING IS UNPUBLISHED. RELEASED FOR PUBLICATION 20
 © COPYRIGHT 20 BY TYCO ELECTRONICS CORPORATION. ALL RIGHTS RESERVED.

LOC	DIST	REVISIONS					
FT	0	P	LTR	DESCRIPTION	DATE	DWN	APVD
		-		SEE SHEET 1	-	-	-



DETAIL L

- 1. MATERIALS AND FINISH:
 HOUSING: PA 6-6, UL 94-V0, COLOR: GREEN.
 TERMINAL: PHOSPHOR BRONZE, TIN PLATED.
- 2. SUITABLE FOR 1,6-2, 4mm PC BOARD THICKNESS.
- 3. RECOGNIZED UNDER THE COMPONENT PROGRAM OF UNDERWRITERS LABORATORIES INC. FILE N° E60677.
- 4. IMQ CERTIFICATE WITH SURVEILLANCE IN CONFORMITY WITH IEC 998-1/998-2-1.)
- 5. NOT CUMULATIVE TOLERANCE
- 6. INK MARKED WHITE
 NUMERICAL SEQUENCE: FROM LEFT TO RIGHT.
- 7. BUCHANAN LOGO TO APPEAR ON HOUSING, LOCATION OPTIONAL WHERE SPACE PERMITS.

<small>THIS DRAWING IS A CONTROLLED DOCUMENT FOR TYCO ELECTRONICS CORPORATION IT IS SUBJECT TO CHANGE AND THE CONTROLLING ENGINEERING ORGANIZATION SHOULD BE CONTACTED FOR THE LATEST REVISION.</small>		DWN S. WELDON 19OCT2000 CHK D. BIEVENOUR 19OCT2000 APVD D. BIEVENOUR 19OCT2000	AMP Tyco Electronics Harrisburg, PA 17105-3608
DIMENSIONS: mm	TOLERANCES UNLESS OTHERWISE SPECIFIED: 0 PLC ± 1 PLC ± 2 PLC ± 3 PLC ± 4 PLC ± ANGLES ± FINISH -	PRODUCT SPEC - APPLICATION SPEC - WEIGHT -	NAME TERMI-BLOK HEADER ASSEMBLY, 180 DEGREE, CLOSED ENDS, 5.08mm PITCH
MATERIAL -		CUSTOMER DRAWING	SIZE A2 CAGE CODE 00779 DRAWING NO. 796636 RESTRICTED TO - SCALE 4:1 SHEET 2 OF 2 REV C