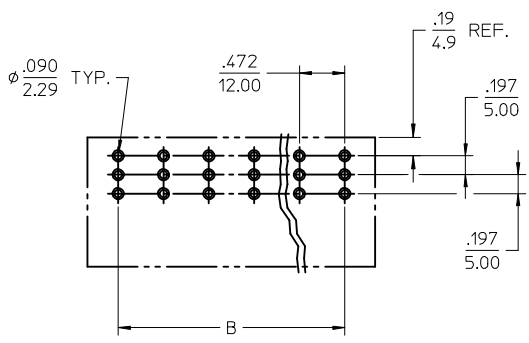
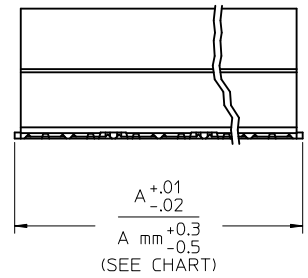
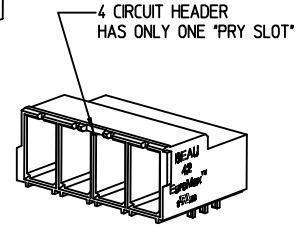
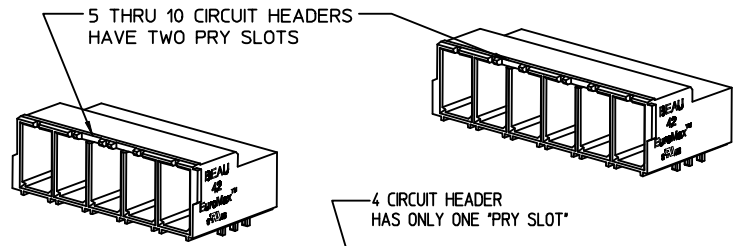
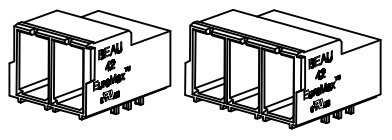
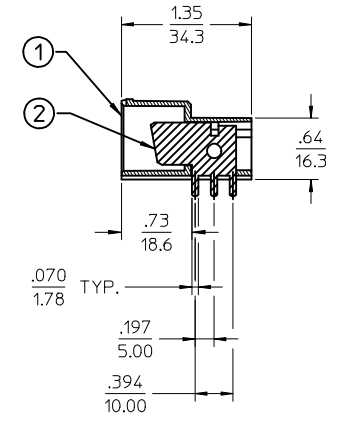
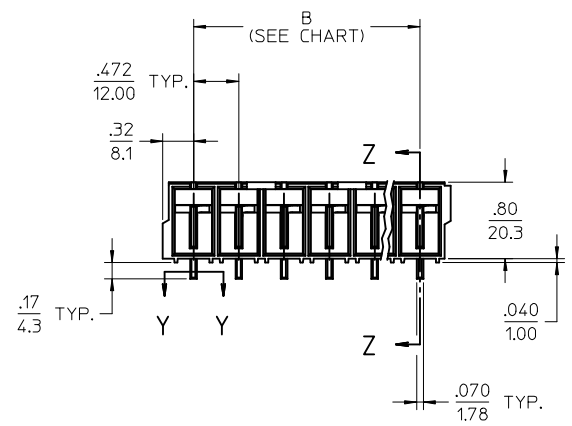


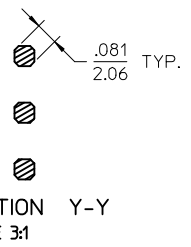
LENGTH TABLE			-A-		-B-	
CIRCUITS	MATERIAL NO.	ENG. NO.	INCH	mm	INCH	mm
02	394250002	421902	1.11	28.2	.472	12.0
03	394250003	421903	1.58	40.1	.945	24.0
04	394250004	421904	2.06	52.3	1.417	36.0
05	394250005	421905	2.53	64.3	1.890	48.0
06	394250006	421906	3.00	76.2	2.362	60.0
07	394250007	421907	3.47	88.1	2.835	72.0
08	394250008	421908	3.95	100.3	3.307	84.0
09	394250009	421909	4.42	112.3	3.780	96.0
10	394250010	421910	4.89	124.2	4.252	108.0



RECOMMENDED PTH PATTERN



SECTION Z-Z



- NOTES:
1. MATERIAL: SEE TABLE
 2. FINISHES: SEE TABLE
 3. ELECTRICAL SPECIFICATIONS:
VOLTAGE: 600VAC
CURRENT: 85 AMPS (3AWG WIRE)
 4. MATES WITH: 3942100XX PLUG
 5. XX EQUALS NUMBER OF CIRCUITS

ITEM	QTY.	DESCRIPTION	MATERIAL	FINISH
2	XX	BLADE CONTACT	COPPER	TIN
1	1	MOLDING, HEADER	NYLON $\text{\textcircled{G}}$	BLACK

MAT. WAS PBT. REV. TOL. BLOCK EC NO: JFG2015-1263 DRAWNRSTONE 2015/01/14 CHKD: B ARDEN 2015/01/15 APPR: BWOODMAN 2015/01/14 DESCRIPTION	QUALITY SYMBOLS	GENERAL TOLERANCES (UNLESS SPECIFIED)	DIMENSION STYLE	SCALE	DESIGN UNITS	THIRD ANGLE PROJECTION
	$\nabla=0$	mm INCH	IN/MM	1:1	INCH	
	$\nabla=0$	4 PLACES ± --- ± ---	DRAWN BY DATE	TITLE		
		3 PLACES ± --- ± .005	RSTONE 2014/12/12	HEADER ASSEMBLY		
		2 PLACES ± 0.13 ± .01	CHECKED BY DATE	12MM , 85A, 600V		
	1 PLACE ± 0.3 ± ---	B ARDEN 2014/12/19	molex			
	0 PLACE ± --- ± ---	APPROVED BY DATE	SD-39425-001			
		BWOODMAN 2014/12/19	1 OF 1			
	ANGULAR ± 2°	MATERIAL NO.	DOCUMENT NO.			
	DRAFT WHERE APPLICABLE MUST REMAIN WITHIN DIMENSIONS	SEE CHART				
		SIZE C	THIS DRAWING CONTAINS INFORMATION THAT IS PROPRIETARY TO MOLEX INCORPORATED AND SHOULD NOT BE USED WITHOUT WRITTEN PERMISSION			