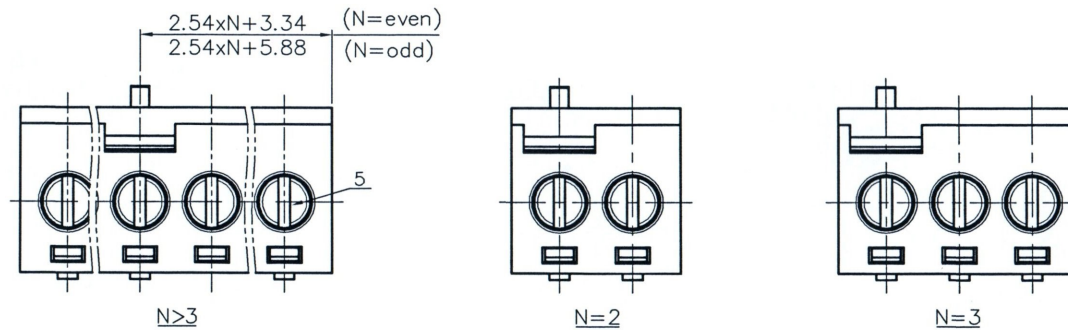


REVISION RECORD				
REV	ECN	DESCRIPTION	DRFT	DATE



NOTES1:

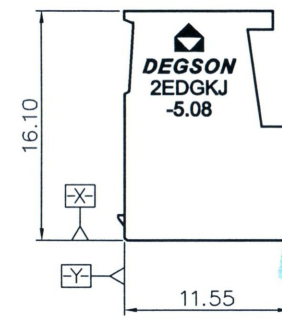
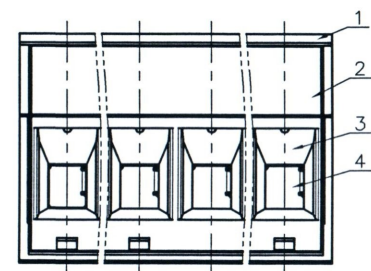
UL Standard

1. Rated Voltage/Current : 300V / 15A
2. Withstanding Voltage : AC1600V/1Min.
3. Torque Value : M3 , 5.0Lb.in
4. Wire Range : 30~12AWG

IEC Standard

1. Pollution Degree	2	2	3
Overvoltage Category	II	III	III
Rate Impulse Voltage(KV)	4KV	4KV	4KV
Rate Voltage(V)	630V	320V	250V
Rate Current(A)	15A		

2. Torque Value : M3 , 0.57N.m
3. Wire Range : 0.2~2.5mm²



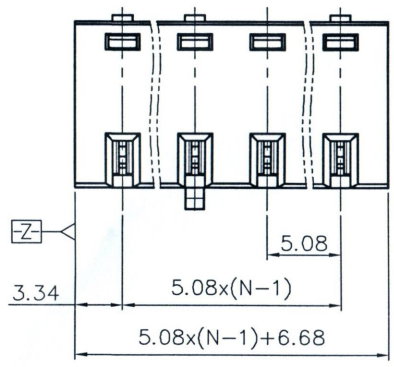
仅供参考图
 签字: [Signature]
 日期: 2015.09.30

NOTES2:

1. Dimension shall be interpreted per ASME Y14.5-2009
2. Pitch : 5.08mm, Poles : N=02~24P
3. Stripping length : 7.0mm
4. Operating temperature: -40°C~+105°C
5. Undimensioned Tolerances:

Pitch Range In mm		Nominal Dimension Range In mm						□	∠
TO	Over	TO	Over	TO	Over	TO	Over	0.1/10	
6	10	6	30	10	60	10	150	<	
6	10	24	30	60	100	150			
±0.15	±0.20	±0.30	±0.30	±0.50	±0.70	±1.00	±1.30	±2'	

6. RoHS Compliance



ITEM	NAME OF PART	MATERIAL	NOTES
5	SCREW	STEEL	M3/Zn Plated
4	CLAMP	COPPER ALLOY	Sn Plated
3	CAGE	COPPER ALLOY	M3/Ni Plated
2	COVER	PA66	UL94V-0
1	HOUSING	PA66	UL94V-0

PART NO.: /

APPD: [Signature] 08/26/15

CHKD: [Signature] 9/30/15

DRFT: Dong 08/26/15

DETAILED LISTS

THIRD ANGLE PROJECTION

NINGBO DEGSON ELECTRONICS CO., LTD

DEGSON® NINGBO DEGSON ELECTRICAL CO., LTD

NAME: 2EDGKJ-5.08-XXP-1Y-00A(H)

TITLE: CUSTOMER DRAWING

REV: D0-2

DRAWING NO.: 2EDGKJ-5.08-C01

SHEET: 1/1

DO NOT SCALE DRAWING

SCALE: 1:1