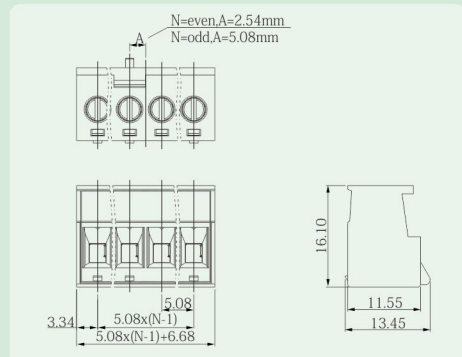
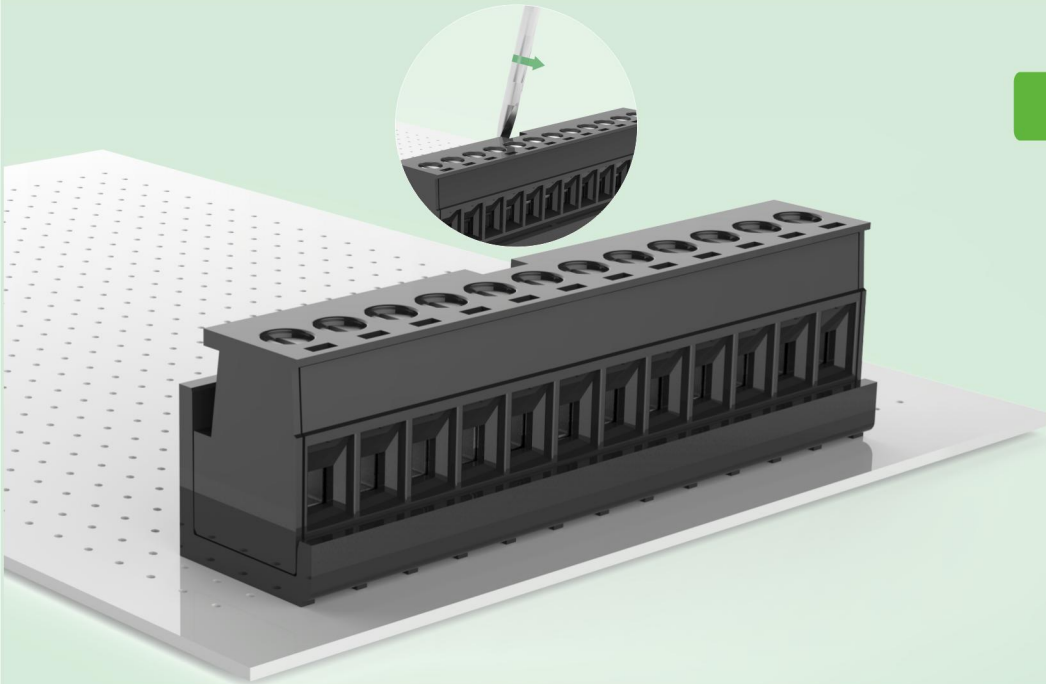
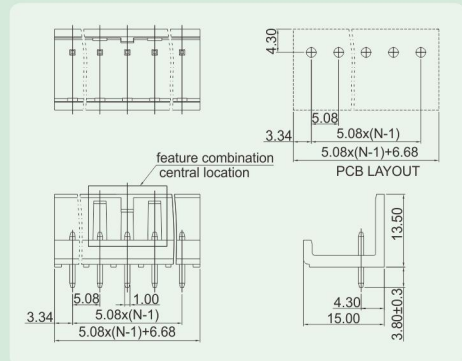


2EDGKJ/2EDGJ-5.08



2EDGKJ-5.08



2EDGJ-5.08

- 螺钉式连接结构，接线方便；
- 插拔式结构，具有工具拆卸口，易拆卸维护；
- 最大线径：2.5mm²。
- Screw connection structure, easy to operate;
- Pluggable structure, has hole for tool disassemble, easy to disassemble and maintain;
- Max. wire range: 2.5mm².

技术参数 Technical Data

APPROVAL: CE

型号 Model	线径 Wire range	线数 Poles	IEC61984技术参数 (IEC61984 datasheet)		UL1059技术参数 (UL1059 datasheet)	
			电压(V) Rated voltage	电流(A) Rated current	电压(V) Rated voltage	电流(A) Rated current
2EDGKJ-5.08	0.2-2.5mm ² /30-12AWG	02-24P	320	15	300	15
2EDGJ-5.08	—	02-24P	320	15	300	15

应用行业 Application

工业自动化行业。
Industrial automation etc.



产品包装方式 Packing

Product model	Pcs./Pkt.	Product model	Pcs./Pkt.
2EDGKJ/J-5.08-02P	50	2EDGKJ/J-5.08-08P	50
2EDGKJ/J-5.08-03P	50	2EDGKJ/J-5.08-09P	50
2EDGKJ/J-5.08-04P	50	2EDGKJ/J-5.08-10P	50
2EDGKJ/J-5.08-05P	50	2EDGKJ/J-5.08-11P	50
2EDGKJ/J-5.08-06P	50	2EDGKJ/J-5.08-12P	50
2EDGKJ/J-5.08-07P	50		

产品匹配 Counterparts

	2EDGJ-5.08
2EDGKJ-5.08	•

型号对照 Cross Reference

DEGSON	同行1/ Competitor1	同行2/ Competitor2
2EDGKJ-5.08	TP508P-08-A3	—
2EDGJ-5.08	TP508H-08-A3	—

产品订货 How to order

