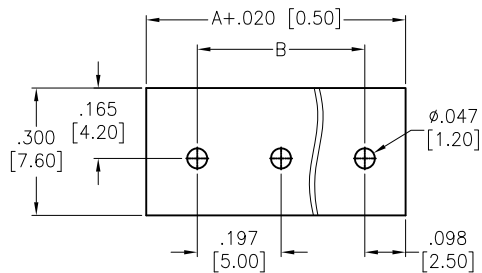


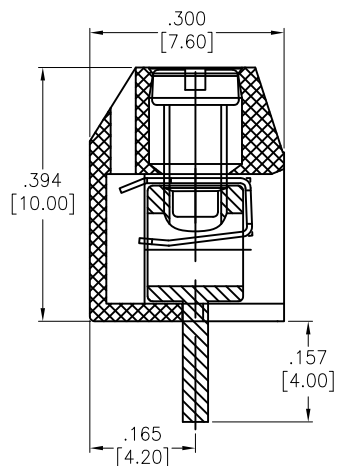
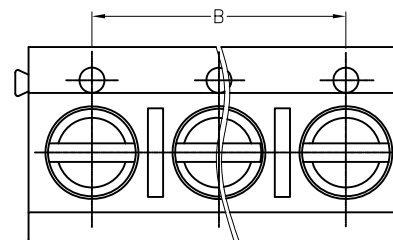
APPROVED: _____

DATE: _____ TITLE: _____

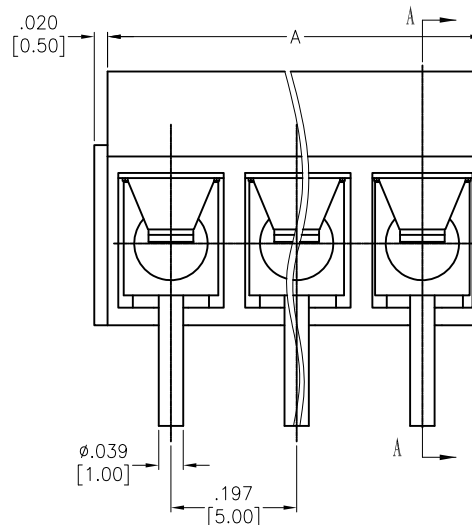
Rev	AWO #	Description	Date	Appr
-		RELEASED	9/29/14	



RECOMMENDED PCB LAYOUT



SECTION A-A



SPECIFICATIONS:

Material:

Insulator: PBT, rated UL 94V-0

Insulator color: Blue

Screw: M2.5, Steel, Zinc plated.

Contact: Brass, Tin plated.

Shrapnel: Phosphor Bronze, Nickel plated

Electrical:

Operation voltage: 250 VAC Max

Current rating: 16 Amps Max

Contact resistance: 20 mohms max

Insulation resistance: 500 Mohms min @ 500 VDC

Withstanding voltage: 2,000 VAC for 1 minute

Mechanical:

Torque: 3.6Lb-In, 0.4N-m

Wire Range: 22-14AWG, 1.5mm²

Strip Length: 6-7mm

Environmental:

Operating temperature: -40°C to +105°C

Lead free, RoHS compliant.



Positions: 2 thru 24

A = .197 [5.00] x No. of Positions

B = .197 [5.00] x No. of Spaces

UNLESS OTHERWISE SPECIFIED
 ALL DIMENSIONS ARE INCHES [MM]
 TOLERANCES: EXCEPT AS NOTED

.X	± .10	∅.X	± .10
.XX	± .020	∅.XX	± .015
.XXX	± .015	∅.XXX	± .010

ADAM TECH

909 Rahway Avenue, Union, NJ 07083

Phone: 908-687-5000 Fax: 908-687-5710

APPROVALS		DATE
DRAWN	AY	9/29/14
CHECKED	GC	9/29/14
APPROVED		

TITLE EURO BLOCK, .197 [5.00] PITCH, SLOTTED SCREW		
SIZE X	PART NO. EBBA-XX-C-SS-BU	REV. -
REF: S00067C	SCALE: NTS	SHEET 1 OF 1

6

5

4

3

2

1

6

5

4

3

2

1