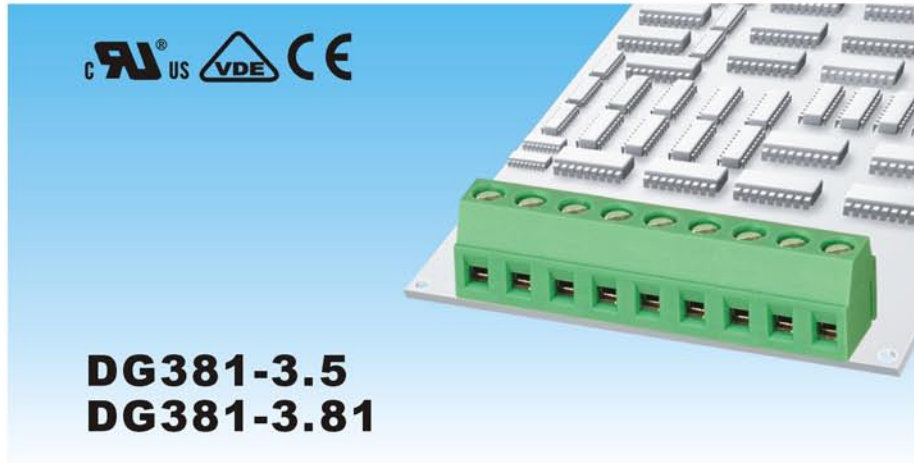


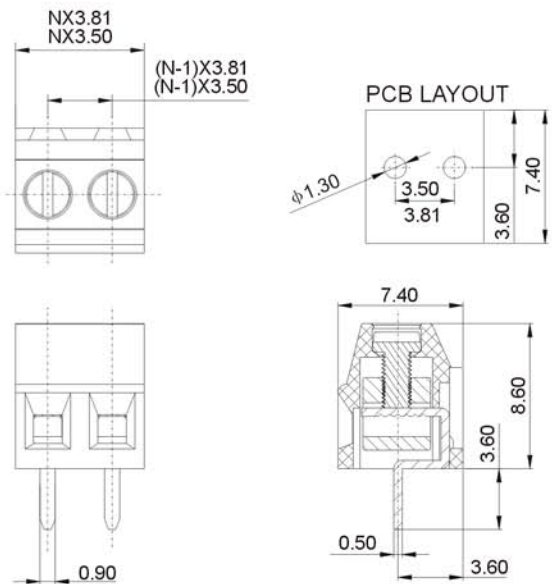


DEGSON ELECTRONICS CO., LTD.

Product Specification



Material	
Screws :	M2 steel Zinc plated
Pin header:	Phosphor Bronze. Tin plated
Housing :	PA66, UL94V-0
Electrical	
Rated voltage :	150V/300V
Rated current :	10A
Contact resistance :	20mΩ
Insulation resistance :	5000MΩ /DC 1000V
Withstanding voltage:	AC2000V/1Min
Wire range :	26-16AWG 1.5mm ²
Mechanical	
Temp. Range :	-40°C~+105°C
Torque :	0.2Nm(1.7lb.in)
Strip length :	5-6mm



HOW TO ORDER:



Series No.

No of Pole

Color

1 Gray	4 Green	7 Trans- parent
2 Blue	5 Orange	8 Yellow
3 Black	6 Red	9 White

	DEGSON ELECTRONICS CO., LTD.
	NAME DG381-3.5 DG381-3.81