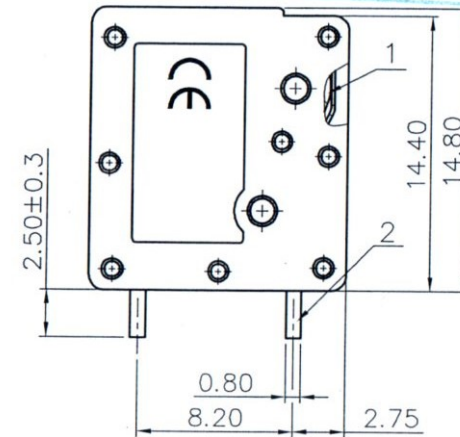
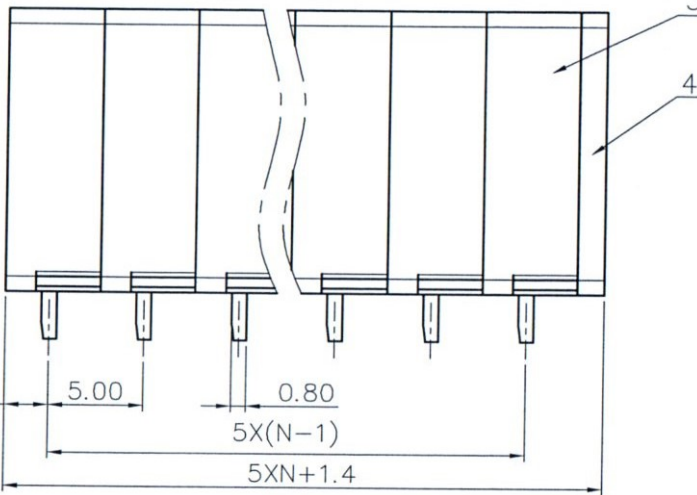
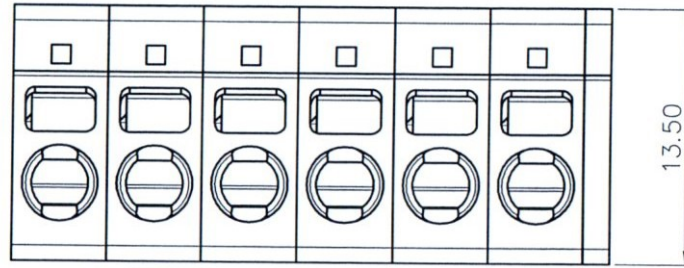
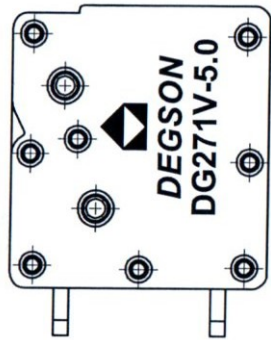


REVISION RECORD

REV	ECN	DESCRIPTION	DRFT	DATE

仅供参考图

签字: *[Signature]*
日期: 3/26/16



NOTES1:

UL Standard

1. Rated Voltage/Current : 300V / 20A
2. Withstanding Voltage : AC1600V/1Min.
3. Wire Range : 24~12AWG

IEC Standard

1. Pollution Degree	2	2	3
Overvoltage Category	II	III	III
Rate Impulse Voltage(KV)	4.0KV	4.0KV	4.0KV
Rate Voltage(V)	630V	400V	250V
Rate Current(A)	24A		

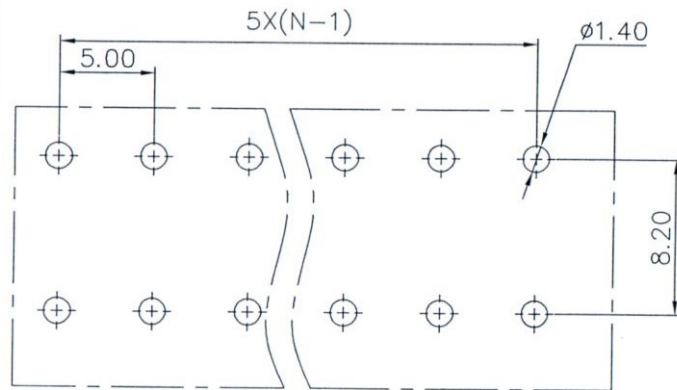
2. Wire Range : 0.2~4.0mm²(SOL)
0.2~2.5mm²(STR)

NOTES2:

1. Dimension shall be interpreted per ASME Y14.5-2009
2. Pitch : 5.0mm, Poles : N=01~24P
3. Stripping length : 10mm
4. Operating temperature: -40°C~+105°C
5. Undimensioned Tolerances:

Pitch Range In mm		Nominal Dimension Range In mm				0.1/10
TO	Over	TO	Over	TO	Over	
6	6	10	10	30	30	±2'
10	10	24	30	60	60	
10	10	24	30	60	100	±2'
10	10	24	30	60	150	

6. RoHS Compliance



PCB LAYOUT

ITEM	NAME OF PART	MATERIAL	NOTES
4	COVER	PA66	UL94V-0
3	HOUSING	PA66	UL94V-0
2	PIN HEADER	COPPER	SN PLATED
1	SPRING	STAINLESS STEEL	

DETAILED LISTS	PART NO.:	宁波高松电子有限公司 DEGSON ® NINGBO DEGSON ELECTRICAL CO., LTD		
	APPD:	NAME: DG271V-5.0-XXP-1Y-00A(H)		
	CHKD:	DRAWING NO.: DG271V-5.0-C01		
	DRFT:	REV DO-1		
THIRD ANGLE PROJECTION		SCALE	1:1	