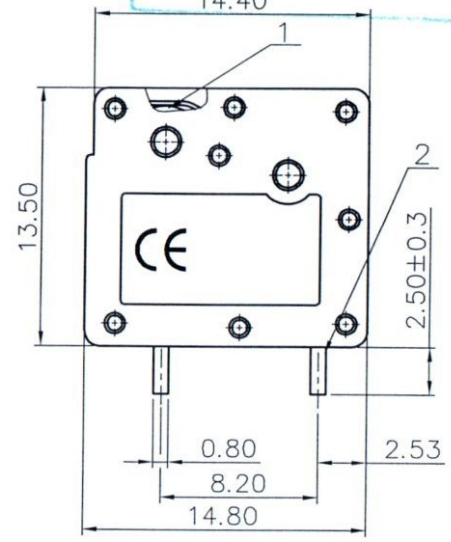
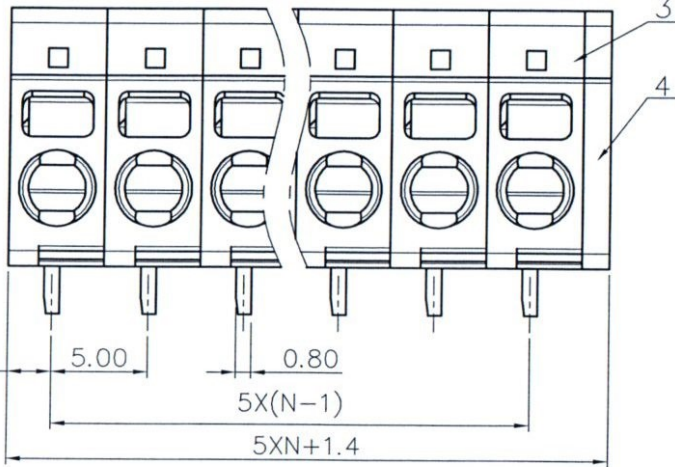
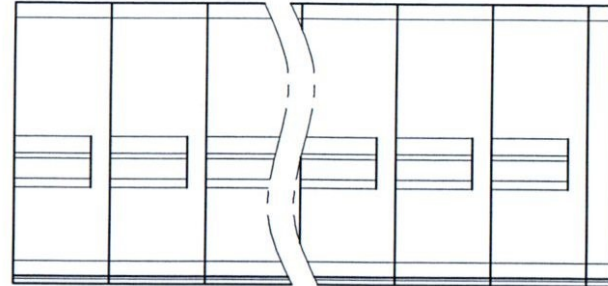


REVISION RECORD				
REV	ECN	DESCRIPTION	DRFT	DATE

仅供参考图  
 签字: *[Signature]*  
 日期: 3/28/16



NOTES1:  
 UL Standard  
 1. Rated Voltage/Current : 300V / 20A  
 2. Withstanding Voltage : AC1600V/1Min.  
 3. Wire Range : 24~12AWG

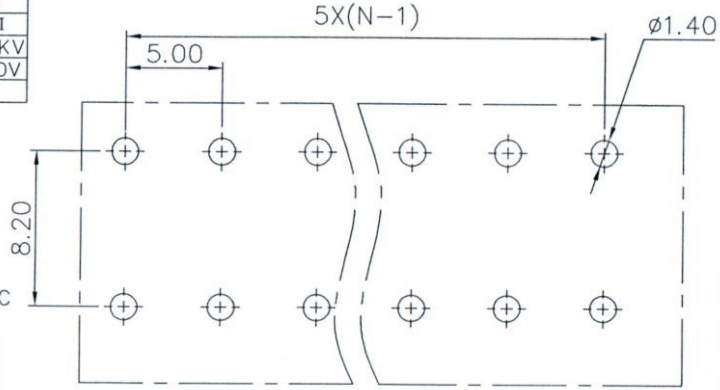
IEC Standard

1. Pollution Degree	2	2	3
Overvoltage Category	II	III	III
Rate Impulse Voltage(KV)	4.0KV	4.0KV	4.0KV
Rate Voltage(V)	630V	400V	250V
Rate Current(A)	24A		

2. Wire Range : 0.2~4.0mm<sup>2</sup>(SOL)  
 0.2~2.5mm<sup>2</sup>(STR)

NOTES2:  
 1. Dimension shall be interpreted per ASME Y14.5-2009  
 2. Pitch : 5.0mm, Poles : N=01~24P  
 3. Stripping length : 10mm  
 4. Operating temperature: -40°C~+105°C  
 5. Undimensioned Tolerances:

Pitch Range In mm		Nominal Dimension Range In mm							
TO	Over	Over	Over	Over	Over	Over	Over	0.1/10	
6	6 TO 10	10 TO 24	30 TO 60	60 TO 100	100 TO 150	150	150	<	
±0.15	±0.20	±0.30	±0.30	±0.50	±0.70	±1.00	±1.30	±2'	



PCB LAYOUT

ITEM	NAME OF PART	MATERIAL	NOTES
4	COVER	PA66	UL94V-0
3	HOUSING	PA66	UL94V-0
2	PIN HEADER	COPPER	SN PLATED
1	SPRING	STAINLESS STEEL	

DETACHED LISTS	PART NO.:	/			宁波高松电子有限公司		
	APPD:	<i>Aaron 3/28/16</i>			DEGSON® NINGBO DEGSON ELECTRICAL CO., LTD		
	CHKD:	<i>penny 3/28/16</i>			NAME: DG271R-5.0-XXP-1Y-00A(H)		
	DRFT:	<i>MEK 03/26/16</i>			TITLE: CUSTOMER DRAWING		REV: D0-1
	DRAWING NO.: DG271R-5.0-C01		SHEET: 1/1				
THIRD ANGLE PROJECTION		MM (INCH)		DO NOT SCALE DRAWING		SCALE: 1:1	

6. RoHS Compliance