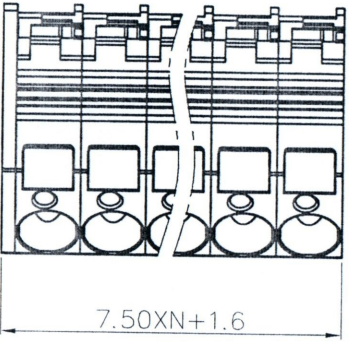


REVISION RECORD				
REV	ECN	DESCRIPTION	DRFT	DATE

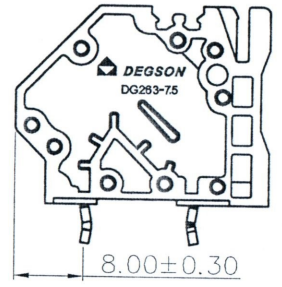
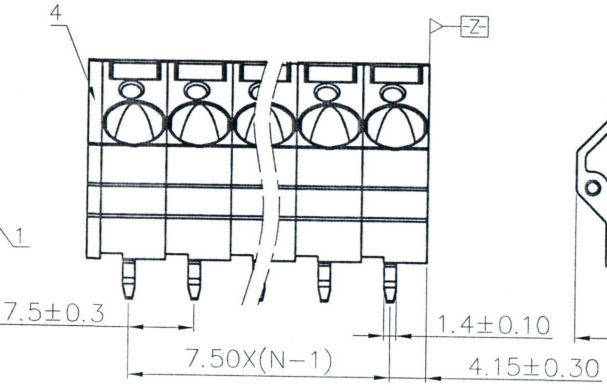
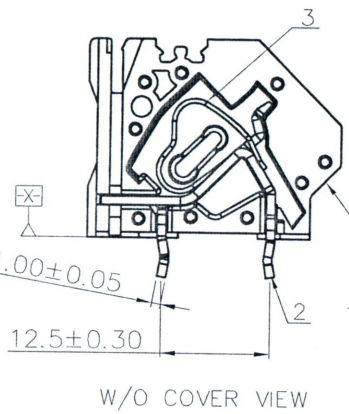
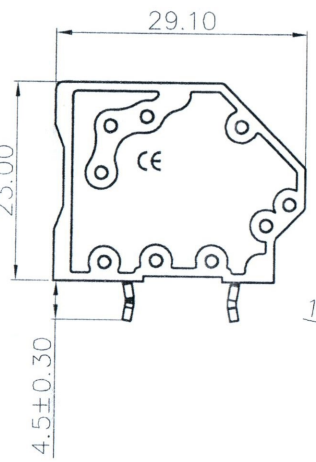


NOTES1:  
 UL Standard  
 1. Rated Voltage/Current : 300V /30A  
 2. Withstanding Voltage : AC1600V/1Min.  
 3. Wire Range : 24~10AWG

IEC Standard

1. Pollution Degree	2	2	3
Overvoltage Category	II	III	III
Rate Impulse Voltage(KV)	6.0KV	6.0KV	6.0KV
Rate Voltage(V)	1000V	630V	500V
Rate Current(A)	41A		

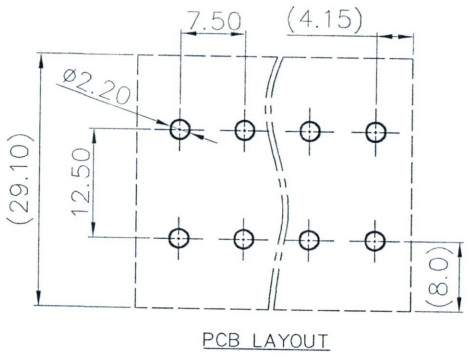
2. Wire Range : 0.2~6.0mm<sup>2</sup>



NOTES2:  
 1. Dimension shall be interpreted per ASME Y14.5-2009  
 2. Pitch : 7.5mm, Poles : XXP  
 3. Stripping length : 11-12mm  
 4. Operating temperature: -40°C~+105°C  
 5. Undimensioned Tolerances:

Pitch Range in mm		Nominal Dimension Range in mm						0.1/10
TO	Over TO	TO	Over TO	TO	Over TO	TO	Over TO	
6	10	6	10	10	15	15	20	<
±0.15	±0.20	±0.30	±0.30	±0.50	±0.70	±1.00	±1.30	±2

6. RoHS Compliance



仅供参考图  
 签字: [Signature]  
 日期: 12/18-15

4	Cover	PA66	UL94 V-0
3	Spring	Stainless steel	
2	Header	Copper Alloy	Sn Plated
1	Housing	PA66	UL94 V-0

DETACHED LISTS	PART NO.:	DEGSON <sup>®</sup> NINGBO DEGSON ELECTRICAL CO., LTD		
	APPD: Aaron 12/18/15	NAME: DG263-7.5-XXP-1Y-00AH		
	CHKD: Penny 12/18/15	TITLE: CUSTOMER DRAWING		
	DRFT: WWF 08/04/15	DRAWING NO.: DG263-7.5-C01	REV	D0-1
	THIRD ANGLE PROJECTION	MM (INCH)	DO NOT SCALE DRAWING	SHEET 1/1
			SCALE	1:1