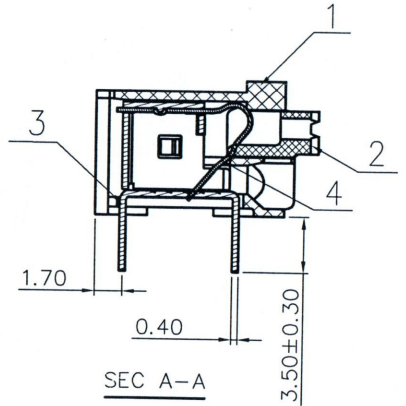
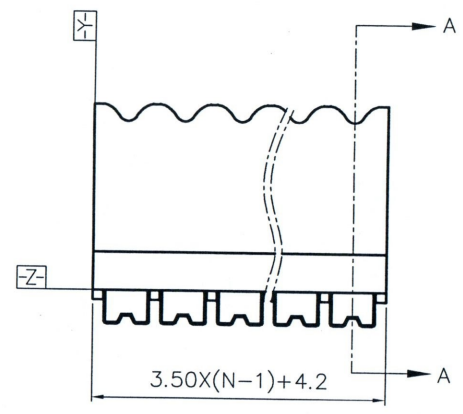


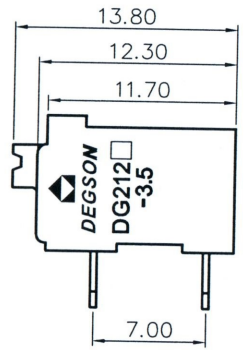
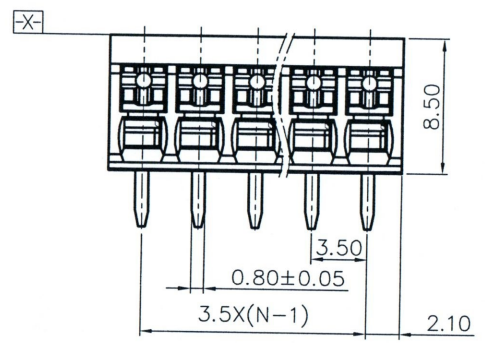
| REVISION RECORD |     |             |      |      |
|-----------------|-----|-------------|------|------|
| REV             | ECN | DESCRIPTION | DRFT | DATE |
|                 |     |             |      |      |

仅供参考图  
 签字: [Signature]  
 日期: 7/25



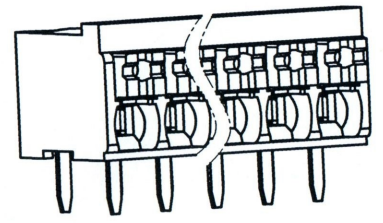
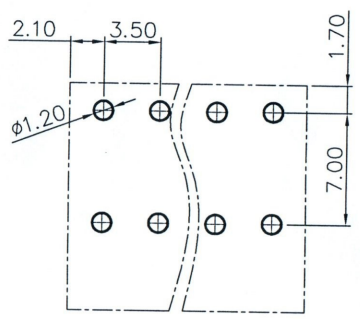
- NOTES:  
 1.DIMENSION SHALL BE INTERPRETED PER ASME Y14.5-2009.  
 2.PITCH: 3.5 ,POLES: N=2-24P  
 3.UL1059: 300V/12A  
 4.IEC:

|                           |       |       |       |
|---------------------------|-------|-------|-------|
| POLLUTION DEGREE          | 2     | 2     | 3     |
| OVERVOLTAGE CATEGORY      | II    | III   | III   |
| RATED IMPULSE VOLTAGE(KV) | 2.5KV | 2.5KV | 2.5KV |
| RATED VOLTAGE(V)          | 320V  | 160V  | 160V  |
| RATED CURRENT(A)          | 17.5A | 17.5A | 17.5A |



- 5.LOWER LIMIT TEMPERATURE: -40℃  
 6.UPPER LIMIT TEMPERATURE: +105℃  
 7.WIRE RANGE: 24AWG~16AWG,0.2MM<sup>2</sup>~1.5MM<sup>2</sup>  
 8.STRIPPING LENGTH: 8MM  
 9.UNDIMENSIONED TOLERANCES:

| PITCH RANGE IN MM |              | NOMINAL DIMENSION RANGE IN MM |       |               |                |                 |          |         |
|-------------------|--------------|-------------------------------|-------|---------------|----------------|-----------------|----------|---------|
| TO 6              | OVER 6 TO 10 | OVER 10 TO 24                 | TO 30 | OVER 30 TO 60 | OVER 60 TO 100 | OVER 100 TO 150 | OVER 150 | -       |
| ±0.10             | ±0.15        | ±0.25                         | ±0.20 | ±0.30         | ±0.50          | ±0.70           | ±1.00    | 0.05/10 |



|   |                          |               |    |                 |           |
|---|--------------------------|---------------|----|-----------------|-----------|
| 4 | 15EDGKN-3.5-1000A-SPRING | X000006130(H) | XX | Stainless steel |           |
| 3 | DG212R-Pin Header        | 3134B00050(H) | XX | Brass           | Sn-PLATED |
| 2 | 15EDGKN-3.5-1000A-KEY    | 1103DYY01D(H) | XX | PA66            | UL94V-0   |

| 1                      | DG212-THR-3.5-Housing | 3134AYYXXA(H)                       | 1    | LCP                            | UL94V-0 |
|------------------------|-----------------------|-------------------------------------|------|--------------------------------|---------|
| ITEM                   | NAME OF PART          | NO. OF PART                         | Q"TY | MATERIAL                       | NOTES   |
| MATERIAL:              |                       | 宁波高正电子有限公司                          |      |                                |         |
| FINISH:                |                       | DEGSON® DEGSON ELECTRONICS CO., LTD |      |                                |         |
| PART NO.:              |                       | NAME: DG212R-THR-3.5-XXP-1Y-00A(H)  |      |                                |         |
| ANGLES ± 1°            |                       | APPD: Aaron 7/25                    |      | TITLE: ASSEMBLY DRAWING        |         |
| THIRD ANGLE PROJECTION |                       | CHKD: Perry 7/15                    |      | DRAWING NO: DG212R-THR-3.5-E01 |         |
| DRFT: RDM              |                       | 06/09/15                            |      | DO NOT SCALE DRAWING           |         |
|                        |                       | SCALE N/A                           |      | SHEET 1/1                      |         |