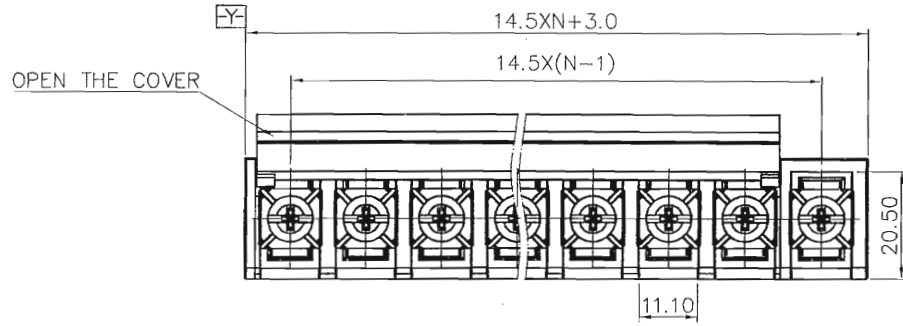
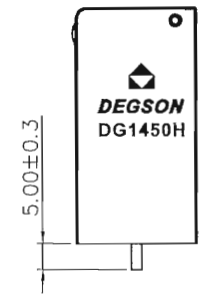
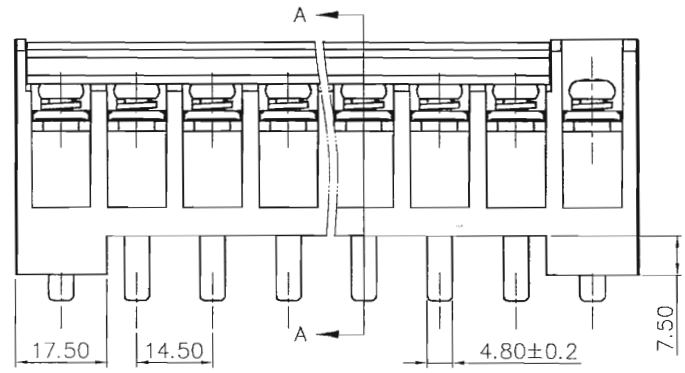
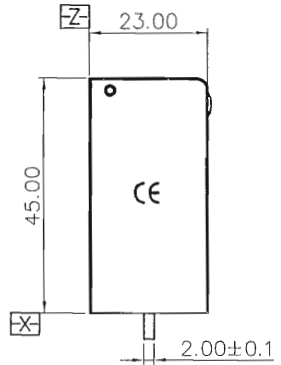


REVISION RECORD				
REV	ECN	DESCRIPTION	DRFT	DATE

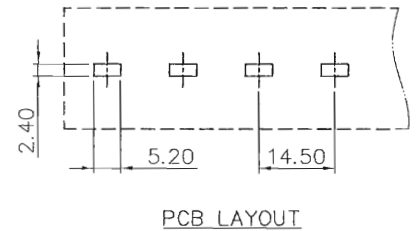
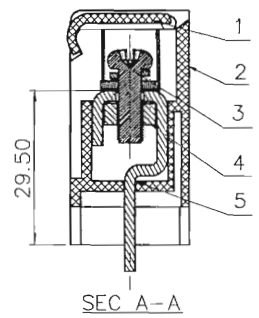


文管中心  
 研发专用  
 2015.06.22  
 (仅限内部使用, 对外无效)



- NOTES:
- 1.DIMENSION SHALL BE INTERPRETED PER ASME Y14.5-2009.
  - 2.PITCH: 14.5mm ,POLES: N=03-14P
  - 3.UL1059: 600V/57A
  - 4.IEC: 1000V/57A
  - 5.WITHSTANDING VOLTAGE: AC2200V/1MIN
  - 6.LOWER LIMIT TEMPERATURE: -40°C
  - 7.UPPER LIMIT TEMPERATURE: +120°C
  - 8.WIRE RANGE: 10MM<sup>2</sup>, 22AWG~6AWG
  - 9.TORQUE VALUE : M5 2.3N.m/20.0lb.in.
  - 10.UNDIMENSIONED TOLERANCES:

TO	PITCH RANGE IN MM		NOMINAL DIMENSION RANGE IN MM				-		
	6 TO 10	OVER 6 TO 10	30 TO 60	OVER 30 TO 60	60 TO 100	OVER 60 TO 100			
6	±0.10	±0.15	±0.25	±0.20	±0.30	±0.50	±0.70	±1.00	0.05/10



ITEM	NAME OF PART	NO. OF PART	Q"TY	MATERIAL	NOTES
5	DG1450H-20A PIN HEADER	5061B00030(H)	XX	BRASS	Sn Plated
4	DG1450 M5 NUT	S000004680(H)	XX	STEEL	Zn Plated
3	M5*14 BIG COVER AND BRIGHT SCREWS	S000004670(H)	XX	STEEL	Zn Plated
2	DG1450H-B-20A HOUSING	5061A0YXXT(H)	1	PBT+GF	UL94V-0
1	DG1450H TRANSPARENT COVER	5060C07(XX-1)A(H)	1	PC	UL94V-0

DETACHED LISTS	TOLERANCES EXCEPT AS NOTED .X ±     .X' ± .XX ±    .XX' ± .XXX ±   .XXX' ±		MATERIAL: FINISH: PART NO.:		宁波高正电子有限公司 <b>DEGSON</b> ® DEGSON ELECTRONICS CO., LTD		
	ANGLES ± 1°		APPD: <i>Aaron 6/14/15</i>		NAME: DG1450H-B-XXP-1Y-20A(H)		
	THIRD ANGLE PROJECTION		CHKD: <i>Perry 6/16/15</i> DRFT: <i>Yujin 04/11/15"</i>		TITLE: ASSEMBLY DRAWING DRAWING NO.: DG1450H-E07		
			DO NOT SCALE DRAWING		SCALE	N/A	
					SHEET	1/1	REV TO