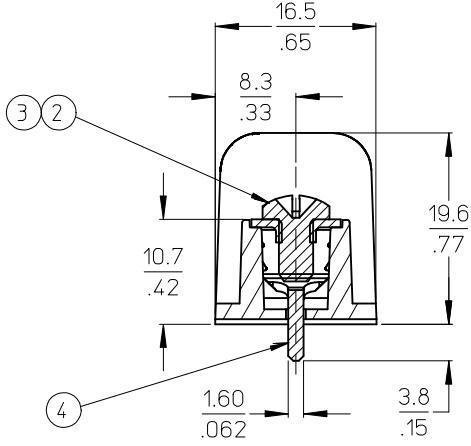
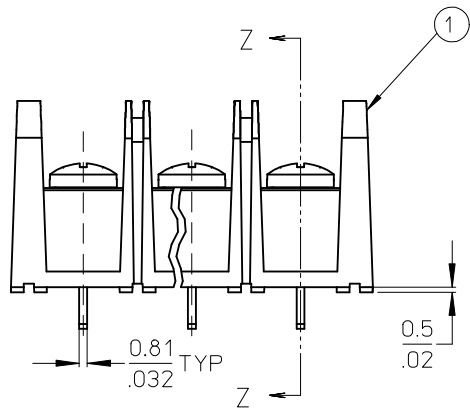
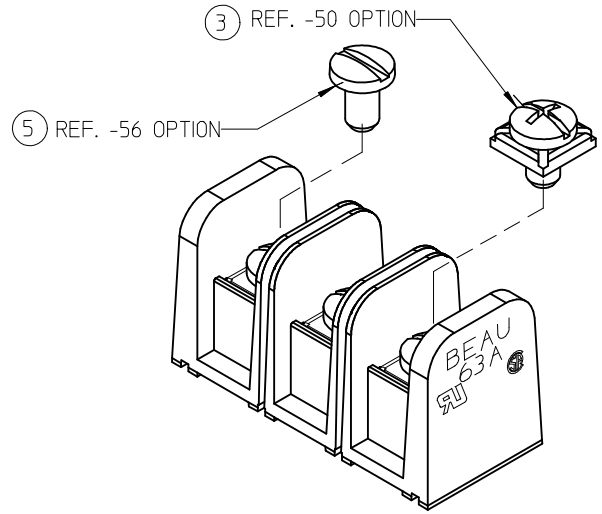


RECOMMENDED PLATED THRU HOLE PATTERN

| MATERIAL NUMBER (STD.) | MATERIAL NUMBER (-56) | MATERIAL NUMBER (-50) | NO. OF CIRCUITS | A | B |
|------------------------|-----------------------|-----------------------|-----------------|--------------|----------------|
| 386306602 | 386390109 | 386307802 | 2 | 25.9 (1.02) | 11.13 (.438) |
| 386306603 | 386390110 | 386307803 | 3 | 37.1 (1.46) | 22.22 (.875) |
| 386306604 | 386390111 | 386307804 | 4 | 48.3 (1.90) | 33.35 (1.313) |
| 386306605 | 386390112 | 386307805 | 5 | 59.2 (2.33) | 44.45 (1.750) |
| 386306606 | 386390113 | 386307806 | 6 | 70.4 (2.77) | 55.57 (2.188) |
| 386306607 | 386390114 | 386307807 | 7 | 81.5 (3.21) | 66.67 (2.625) |
| 386306608 | 386390115 | 386307808 | 8 | 92.7 (3.65) | 77.80 (3.063) |
| 386306609 | 386390116 | 386307809 | 9 | 103.6 (4.08) | 88.90 (3.500) |
| 386306610 | 386390117 | 386307810 | 10 | 114.8 (4.52) | 100.03 (3.938) |
| 386306611 | 386390118 | 386307811 | 11 | 125.9 (4.96) | 111.13 (4.375) |
| 386306612 | 386390119 | 386307812 | 12 | 137.2 (5.40) | 122.25 (4.813) |
| 386306613 | 386390120 | 386307813 | 13 | 148.1 (5.83) | 133.35 (5.250) |
| 386306614 | 386390121 | 386307814 | 14 | 159.3 (6.27) | 144.45 (5.687) |
| 386306615 | 386390122 | 386307815 | 15 | 170.4 (6.71) | 155.58 (6.125) |
| 386306616 | 386390123 | 386307816 | 16 | 181.6 (7.15) | 166.70 (6.563) |



SECTION Z-Z



- NOTES:
1. MATERIAL: SEE TABLE
 2. FINISHES: SEE TABLE
 3. PRODUCT SPECIFICATION: NOT REQUIRED
 4. PACKAGING: NOT REQUIRED
 5. MATES WITH: NONE
 6. "XX" REFERS TO QTY. OF CIRCUITS
 7. ROHS COMPLIANT (C)

| ITEM | QTY. | DESCRIPTION | MATERIAL | FINISH |
|------|------|--|---------------------|--------------------|
| 5 | XX | SCREW #6-32X.250 BHD. SLOT STAINLESS (-56 OPT) | STAINLESS STL | PASSIVATE |
| 4 | XX | TERMINAL, PC (SHORT) | BRASS | TIN PLATE |
| 3 | XX | SCREW/WSHR #6-32X.250 PAN, PH-SL (-50) | STEEL (C) | ZN, CLEAR CHROMATE |
| 2 | XX | SCREW #6-32X.250 BHD, PH-SL (STD) | STEEL (C) | ZN, CLEAR CHROMATE |
| 1 | 1 | BARRIER TERMINAL STRIP | (C) POLYESTER (PBT) | BLACK |

UPDATE MAT. DESCRIPT
 EC NO: WNA2009-0085
 DRAWN: JENC INAS 2008/11/25
 CHKD: C YORK 2008/12/15
 APPR: JMACNE ILL 2008/12/15

QUALITY SYMBOLS
 ▽=0
 ▽=0

GENERAL TOLERANCES (UNLESS SPECIFIED)

| | mm | INCH |
|----------|--------|--------|
| 4 PLACES | ± .--- | ± .--- |
| 3 PLACES | ± .--- | ± .005 |
| 2 PLACES | ± 0.13 | ± .01 |
| 1 PLACE | ± 0.3 | ± .--- |

ANGULAR ± 2 °

DRAFT WHERE APPLICABLE
 MUST REMAIN WITHIN DIMENSIONS

DIMENSION STYLE
MM/IN

SCALE
2:1

DESIGN UNITS
INCH

THIRD ANGLE PROJECTION

DRAWN BY: R. STONE DATE: 2003/03/25
 CHECKED BY: R. KEMP DATE: 2003/03/27
 APPROVED BY: P. WALTZ DATE: 2003/03/28

MATERIAL NO. SEE CHART
 DOCUMENT NO. SD-38630-008

TITLE
**11.13/.438" PCB BTS 600V
 NO MTG ENDS, STD LENGTH
 (63A5XX-C)**

MOLEX INCORPORATED

SHEET NO.
1 OF 1

THIS DRAWING CONTAINS INFORMATION THAT IS PROPRIETARY TO MOLEX INCORPORATED AND SHOULD NOT BE USED WITHOUT WRITTEN PERMISSION