

## Modular PCB terminal block; 2 solder pins/pole; 1-pole; pin spacing 5/5.08 mm / 0.2 in

Item No.: 236-744



Modular PCB terminal block; 2 solder pins/pole; 1-pole; pin spacing 5/5.08 mm / 0.2 in

### Marking

RoHS ✓  
Compliant

### Business data

|                      |               |
|----------------------|---------------|
| Supplier             | WAGO          |
| Item no.             | 236-744       |
| GTIN / EAN           | 4044918774413 |
| Content              | 1             |
| Order amount         | 100           |
| Customer item number |               |

### Notes

Modular terminal blocks with CAGE CLAMP® connection, screwdriver actuation parallel or perpendicular to conductor entry Also available with Ex e approval For custom terminal strip assemblies Operating tools for factory wiring 45° connection angle permits a wide range of uses and wiring options Set to metric or inch pin spacing by compressing terminal strips together or pulling them apart

### Technical data

#### Miscellaneous

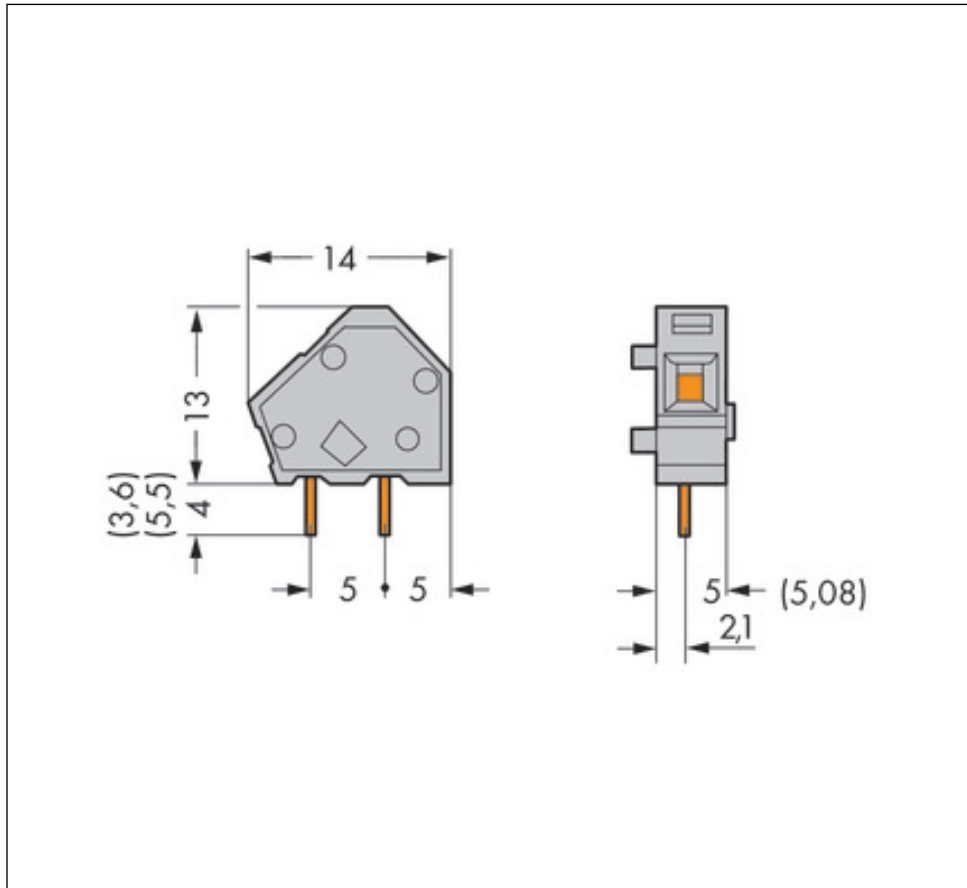
|                                   |                    |
|-----------------------------------|--------------------|
| No. of poles                      | 1                  |
| Pin spacing                       | 5/5.08 mm / 0.2 in |
| Total number of connection points | 1                  |
| Total number of potentials        | 1                  |
| Color                             | blue               |
| Ratings according to 1            | IEC/EN 60664-1     |

| <b>Technical data</b>                                  |  |
|--|--|
| Overvoltage category EN 1                              | III  |
| Pollution degree (1)                                   | 2  |
| Rated voltage EN (1) [V]                               | 320 [V]                                      |
| Rated surge voltage (1) [kV]                           | 4 [kV]                                       |
| Nominal current [A]                                    | 24 [A]                                       |
| Overvoltage category EN 2                              | II   |
| Degree of pollution (2)                                | 2  |
| Rated voltage EN (2) [V]                               | 630 [V]                                      |
| Rated surge voltage (2) [kV]                           | 4 [kV]                                       |
| Nominal current (2) [A]                                | 24 [A]                                       |
| Overvoltage category EN 3                              | III  |
| Degree of pollution (3)                                | 3  |
| Rated voltage EN (3) [V]                               | 250 [V]                                      |
| Rated surge voltage (3) [kV]                           | 4 [kV]                                       |
| Nominal current (3) [A]                                | 24 [A]                                       |
| Number of individual connection objects at the product | 1  |
| Connection technology (1)                              | CAGE CLAMP®                                  |
| Solid sizes 1  | 0.08 ... 2.5 mm <sup>2</sup> / 28 ... 12 AWG |
| Fine-stranded wires 1                                  | 0.08 ... 2.5 mm <sup>2</sup> / 28 ... 12 AWG |
| Fine-stranded wires with insulated ferrule 1           | 0.25 ... 1.5 mm <sup>2</sup> / ...           |
| Fine-stranded wires with uninsulated ferrule 1         | 0.25 ... 1.5 mm <sup>2</sup> / ...           |
| Strip length 1   | 5 ... 6 mm / 0.2 ... 0.24 in                 |
| Conductor entry angle to the PCB 1 [°]                 | 45 [°]                                       |
| Type of wiring   | Front-/Side-entry wiring                     |
| Solder pin arrangement                                 | in line                                      |
| Solder pin length [mm]                                 | 4 [mm]                                       |
| Solder pin width A [mm]                                | 0.7 [mm]                                     |
| Solder pin width B [mm]                                | 0.7 [mm]                                     |
| Drilled hole diameter (tolerance) [mm]                 | 1.1(+ 0.1) [mm]                              |
| Material group   | I  |
| Insulating material                                    | Polyamide 66 (PA 66)                         |
| Flammability rating per UL 94                          | V0   |
| Limit temperature range                                | -60 C ... 105 C                              |
| Clamping spring material                               | Chrome-nickel spring steel (CrNi)            |

| <b>Technical data</b>          |                                  |
|--------------------------------|----------------------------------|
| <i>Contact material</i>        | <i>Electrolytic copper (Ecu)</i> |
| <i>Contact plating</i>         | <i>tin-plated</i>                |
| <i>Fire load [MJ]</i>          | <i>0.012 [MJ]</i>                |
| <i>Weight [g]</i>              | <i>0.884 [g]</i>                 |
| <i>Width</i>                   | <i>7.2 mm / 0.283 in</i>         |
| <i>Height</i>                  | <i>17 mm / 0.669 in</i>          |
| <i>Height from the surface</i> | <i>13 mm / 0.512 in</i>          |
| <i>Length</i>                  | <i>14 mm / 0.551 in</i>          |

Images & drawings





#### Address

WAGO Kontakttechnik GmbH & Co. KG

Hansastr. 27

32423 Minden

Telefon: 0571/887-0

Fax: 0571/887-169

<http://www.wago.com>

© WAGO Kontakttechnik GmbH & Co. KG

Technische Änderungen und Irrtümer vorbehalten.