

PCB terminal strip; 2 solder pins/pole; 7-pole; pin spacing 2.54 mm / 0.1 in; with push-button

Item No.: 234-507



PCB terminal strip; 2 solder pins/pole; 7-pole; pin spacing 2.54 mm / 0.1 in; with push-button

Marking

RoHS ✓
Compliant

Business data

| | |
|----------------------|---------------|
| Supplier | WAGO |
| Item no. | 234-507 |
| GTIN / EAN | 4044918652155 |
| Content | 1 |
| Order amount | 60 |
| Customer item number | |

Notes

Terminal strips with push-buttons and CAGE CLAMP® connection
Double solder pins for high mechanical stability on PCB
Ideal for in-the-field wiring thanks to simplified push-button actuation
Convenient, tool-free operation

Technical data

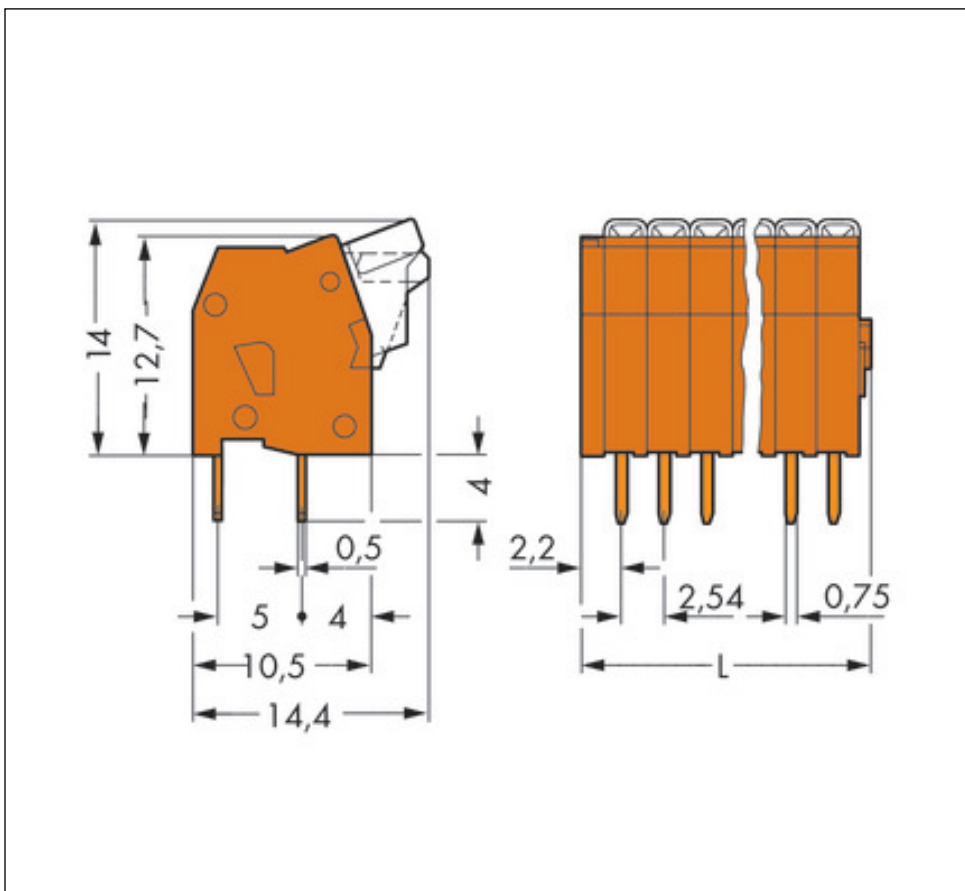
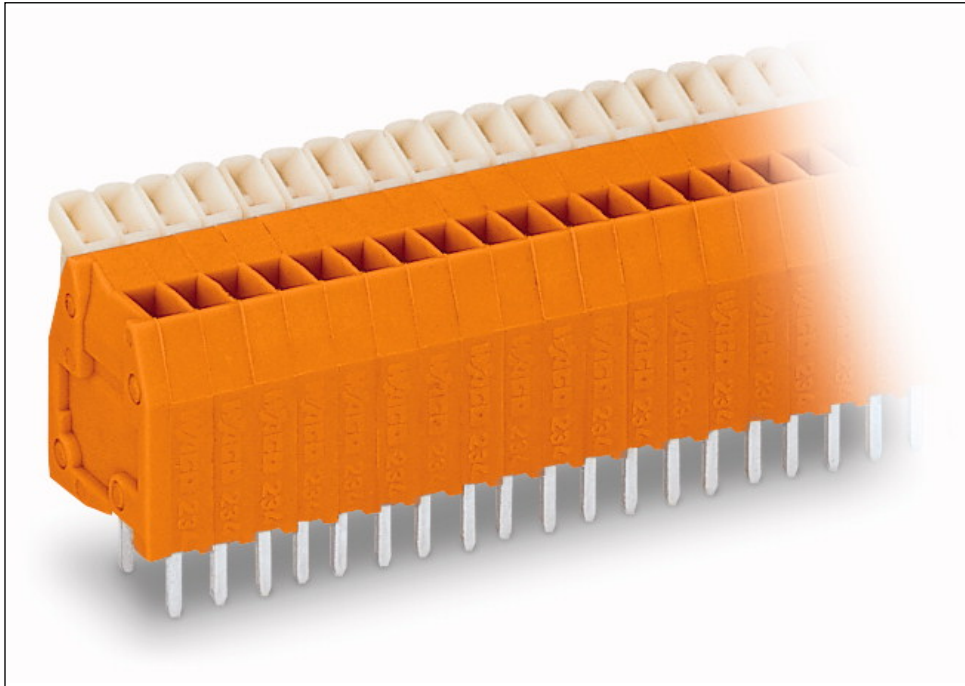
Miscellaneous

| | |
|-----------------------------------|--------------------|
| No. of poles | 7 |
| Pin spacing | 2.54 mm / 0.1 in % |
| Total number of connection points | 7 |
| Total number of potentials | 7 |
| Color | orange |
| Ratings according to 1 | IEC/EN 60664-1 |
| Overvoltage category EN 1 | III |
| Pollution degree (1) | 2 |

| Technical data | |
|--|--|
| Rated voltage EN (1) [V] | 160 [V] |
| Rated surge voltage (1) [kV] | 2.5 [kV] |
| Nominal current [A] | 6 [A] |
| Overvoltage category EN 2 | II |
| Degree of pollution (2) | 2 |
| Rated voltage EN (2) [V] | 320 [V] |
| Rated surge voltage (2) [kV] | 2.5 [kV] |
| Nominal current (2) [A] | 6 [A] |
| Overvoltage category EN 3 | III |
| Degree of pollution (3) | 3 |
| Rated voltage EN (3) [V] | 63 [V] |
| Rated surge voltage (3) [kV] | 2.5 [kV] |
| Nominal current (3) [A] | 6 [A] |
| Number of individual connection objects at the product | 1 |
| Connection technology (1) | CAGE CLAMP® |
| Solid sizes 1 | 0.08 ... 0.5 mm ² / 28 ... 20 AWG |
| Fine-stranded wires 1 | 0.08 ... 0.5 mm ² / 28 ... 20 AWG |
| Fine-stranded wires with insulated ferrule 1 | 0.25 mm ² / AWG |
| Fine-stranded wires with uninsulated ferrule 1 | 0.25 mm ² / AWG |
| Strip length 1 | 5 ... 6 mm / 0.2 ... 0.24 in |
| Conductor entry angle to the PCB 1 [°] | 90 [°] |
| Type of wiring | Front-entry wiring |
| Solder pin arrangement | in line |
| Solder pin length [mm] | 4 [mm] |
| Solder pin width A [mm] | 0.5 [mm] |
| Solder pin width B [mm] | 0.75 [mm] |
| Drilled hole diameter (tolerance) [mm] | 1.1(+ 0.1) [mm] |
| Material group | I |
| Insulating material | Polyamide 66 (PA 66) |
| Flammability rating per UL 94 | V0 |
| Limit temperature range | -60 C ... 105 C |
| Clamping spring material | Chrome-nickel spring steel (CrNi) |
| Contact material | Electrolytic copper (Ecu) |
| Contact plating | tin-plated |

| Technical data | |
|--------------------------------|----------------------------|
| <i>Fire load [MJ]</i> | <i>0.053 [MJ]</i> |
| <i>Weight [g]</i> | <i>3.612 [g]</i> |
| <i>Width</i> | <i>19.98 mm / 0.787 in</i> |
| <i>Height</i> | <i>18 mm / 0.709 in</i> |
| <i>Height from the surface</i> | <i>14 mm / 0.551 in</i> |
| <i>Length</i> | <i>14.4 mm / 0.567 in</i> |

Images & drawings



Address

WAGO Kontakttechnik GmbH & Co. KG

Hansastr. 27

32423 Minden

Telefon: 0571/887-0

Fax: 0571/887-169

<http://www.wago.com>

© WAGO Kontakttechnik GmbH & Co. KG

Technische Änderungen und Irrtümer vorbehalten.