

3M

316 IR

Insulation Displacement Connector for Irrigation

Data Sheet

Application: Use 3M Brand 316 IR to electrically connect two or three wire ends, insulate the connection, and provide a moisture resistant seal. Recommended for use with low energy underground circuit wires, sprinkler systems, landscape lighting or other moisture resistant applications of less than 30 volts.

Catalog No: 316 IR

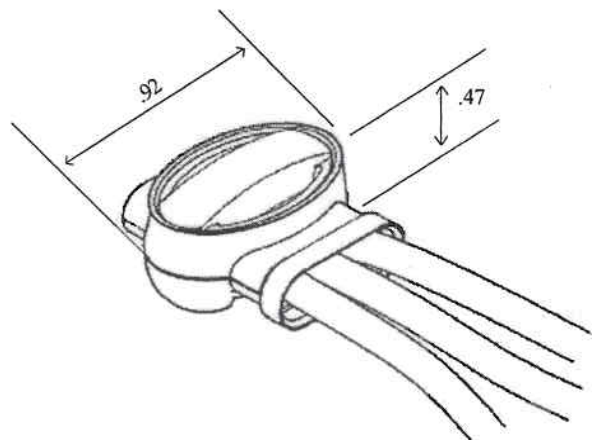
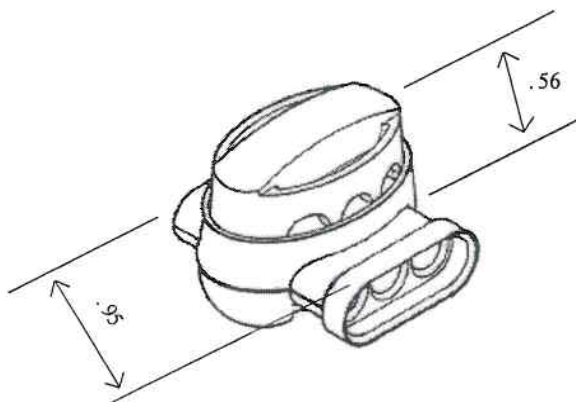
Specifications:

Wire Range:	22-16 AWG solid or stranded copper conductors with max. insulation of .155 inches
U-Contact:	Tin Plated Brass, .02 in. (0,5 mm) thick
Insulator:	Flame Retardant Nylon
Sealant:	Mineral oil base EG-3 grease
Weight:	.0077 lb. (3.49 gm.)
Recommended Installation Tool:	3M™ No. E-9BM Crimping Tool; 8" slip-joint pliers

Installation Instructions:

CAUTION — Turn power off before installing connector. All electrical work should be done according to appropriate electrical codes. Use with circuits less than 30 volts. Use with insulated copper conductors. Do not strip insulation from conductors.

1. Insert 2 or 3 unstripped conductors completely into connector and check their position by looking through the translucent body.
2. Hold tool perpendicular to the conductors and make the connection by driving the cap down flush with the top edge of the connector body.



3M™ 316 IR Insulation Displacement Connector for Irrigation

Engineering Specification:

A self-stripping electrical connector for connecting two or three conductors in the range of 22 thru 16 AWG solid or stranded copper conductors with a maximum insulation diameter of .155. This connector will be manufactured by 3M and provide a low voltage connection (less than 30 volts) that will be made in a pigtail application while providing a moisture resistant seal.

For Material Safety Data Sheet Contact:

Electrical Products Division/3M
3M Austin Center
6801 River Place Blvd.
Austin, TX 78726-9000
or (800)245-3573

3M™ is a trademark of 3M.

Important Notice

All statements, technical information and recommendations related to the Seller's products are based on information believed to be reliable, but the accuracy or completeness thereof is not guaranteed. Before utilizing the product, the user should determine the suitability of the product for its intended use. The user assumes all risks and liability whatsoever in connection with such use.

Any statements or recommendations of the Seller which are not contained in the Seller's current publications shall have no force or effect unless contained in an agreement signed by an authorized officer of the Seller. The statements contained herein are made in lieu of all warranties, expressed or implied, including but not limited to the implied warranties of merchantability and fitness for a particular purpose which warranties are hereby expressly disclaimed.

SELLER SHALL NOT BE LIABLE TO THE USER OR ANY OTHER PERSON UNDER ANY LEGAL THEORY, INCLUDING BUT NOT LIMITED TO NEGLIGENCE OR STRICT LIABILITY, FOR ANY INJURY OR FOR ANY DIRECT, INDIRECT, INCIDENTAL OR CONSEQUENTIAL DAMAGES SUSTAINED OR INCURRED BY REASON OF THE USE OF ANY OF THE SELLER'S PRODUCTS.

3M

Electrical Products Division

6801 River Place Blvd.
Austin, TX 78726-9000
800-364-3577
<http://www.3M.com>

© 3M 1998
78-8124-4828-6