

THIS DRAWING IS UNPUBLISHED.

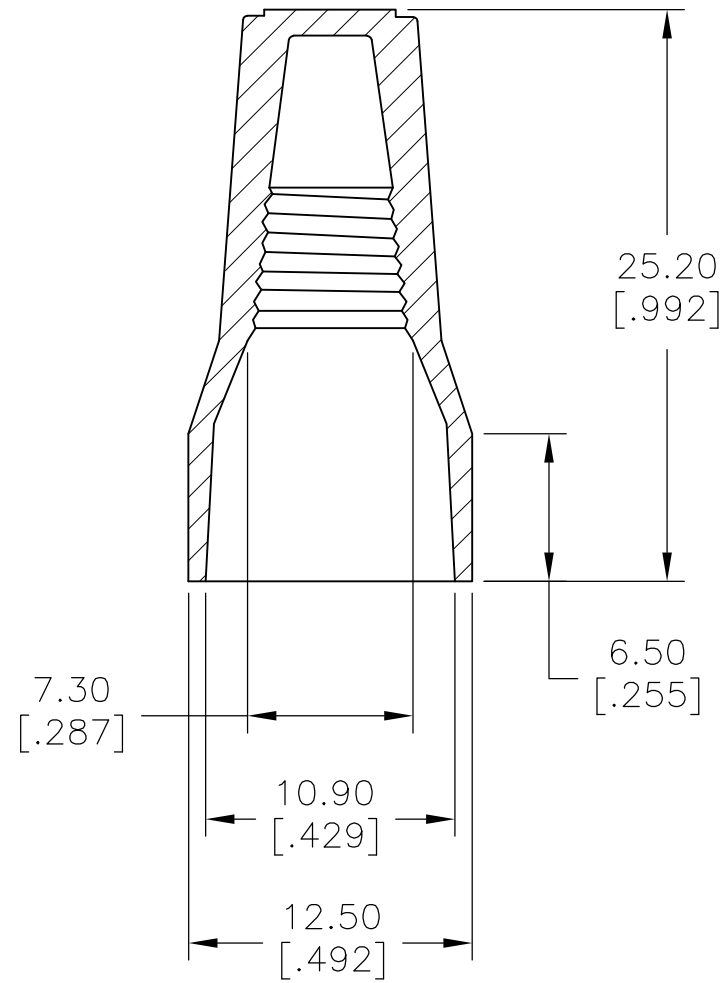
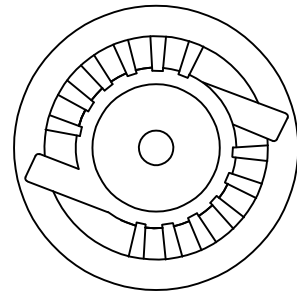
RELEASED FOR PUBLICATION

ALL RIGHTS RESERVED.

© COPYRIGHT - By -


REVISIONS

| P | LTR | DESCRIPTION | DATE | DWN | APVD |
|---|-----|-------------|-----------|-----|------|
| | A | NEW DRAWING | 13JAN2016 | NK | RH |



- 1 WORKING TEMPERATURE: 105° C
- 2 VOLTAGE: 600V MAX.
- 3 COLOR: YELLOW
- 4 WIRE RANGE: #22-#10AWG MAX.3#12 MIN.4#22
- 5 SPRING INSERT: STEEL

2299513-1 AS SHOWN

| | | | | | | | | | | | | | | | | | |
|--|-------------|-----------------------------------|--|-------|-------------|------------|---------------|-------|-----|-------|-----|--------|-----|--------------|--------------------|--|--|
| THIS DRAWING IS A CONTROLLED DOCUMENT. | | DWN NAGALAKSHMI K 13JAN2016 |  TE Connectivity | | | | | | | | | | | | | | |
| DIMENSIONS: mm [INCHES] | | CHK HILL RYAN 13JAN2016 | | | | | | | | | | | | | | | |
| TOLERANCES UNLESS OTHERWISE SPECIFIED: | | APVD HILL RYAN 13JAN2016 | NAME | | | | | | | | | | | | | | |
| <table border="0"> <tr><td>0 PLC</td><td>± -</td></tr> <tr><td>1 PLC</td><td>± 0.2[.007]</td></tr> <tr><td>2 PLC</td><td>± 0.4[.015]</td></tr> <tr><td>3 PLC</td><td>± -</td></tr> <tr><td>4 PLC</td><td>± -</td></tr> <tr><td>ANGLES</td><td>± -</td></tr> </table> | | 0 PLC | ± - | 1 PLC | ± 0.2[.007] | 2 PLC | ± 0.4[.015] | 3 PLC | ± - | 4 PLC | ± - | ANGLES | ± - | PRODUCT SPEC | CPGI-WC-CG-YW-BULK | | |
| 0 PLC | ± - | | | | | | | | | | | | | | | | |
| 1 PLC | ± 0.2[.007] | | | | | | | | | | | | | | | | |
| 2 PLC | ± 0.4[.015] | | | | | | | | | | | | | | | | |
| 3 PLC | ± - | | | | | | | | | | | | | | | | |
| 4 PLC | ± - | | | | | | | | | | | | | | | | |
| ANGLES | ± - | | | | | | | | | | | | | | | | |
| MATERIAL UL 94V-2 FLAME-RETARDANT THERMOPLASTIC SHELL | | FINISH - | APPLICATION SPEC | SIZE | CAGE CODE | DRAWING NO | RESTRICTED TO | | | | | | | | | | |
| | | | | A3 | 00779 | C-2299513 | - | | | | | | | | | | |
| CUSTOMER DRAWING | | | WEIGHT | SCALE | | SHEET | REV | | | | | | | | | | |
| | | | - | 3:1 | | 1 OF 1 | A | | | | | | | | | | |