

THIS DRAWING IS UNPUBLISHED.

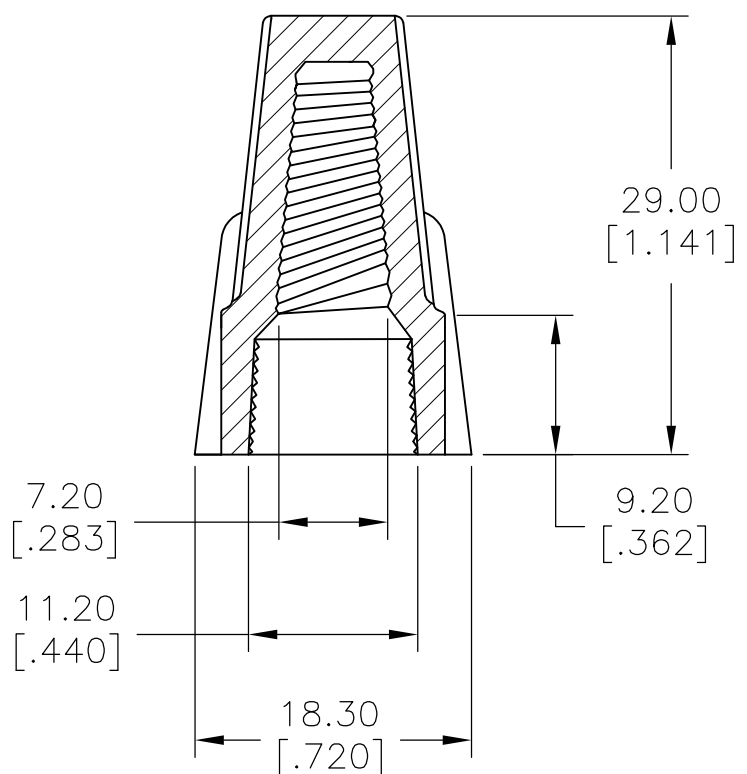
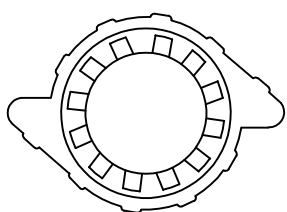
RELEASED FOR PUBLICATION

© COPYRIGHT - By -

ALL RIGHTS RESERVED.


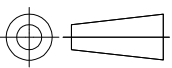
REVISIONS

P	LTR	DESCRIPTION	DATE	DWN	APVD
	A	NEW DRAWING	14JAN2016	NK	RH



- 1 WORKING TEMPERATURE: 105° C
- 2 VOLTAGE: 600V MAX.
- 3 COLOR: TAN
- 4 WIRE RANGE: #22-#8 AWG MAX.4#12 MIN.3#22 SOL
- 5 SPRING INSERT: STEEL

2299510-1 AS SHOWN

THIS DRAWING IS A CONTROLLED DOCUMENT.		DWN NAGALAKSHMI K 14JAN2016	 TE Connectivity				
DIMENSIONS: mm [INCHES]		CHK HILL RYAN 14JAN2016					
TOLERANCES UNLESS OTHERWISE SPECIFIED:		APVD HILL RYAN 14JAN2016	NAME				
		PRODUCT SPEC	CPGI-WC-TG-TN-BULK				
MATERIAL TOUGH THERMOPLASTIC UL 94V-2 FLAME-RETARDANT		FINISH	APPLICATION SPEC	SIZE	CAGE CODE	DRAWING NO	RESTRICTED TO
<ul style="list-style-type: none"> 0 PLC ± - 1 PLC ± 0.2[.007] 2 PLC ± 0.4[.015] 3 PLC ± - 4 PLC ± - ANGLES ± - 		WEIGHT	A3	00779	C-2299510		
CUSTOMER DRAWING			SCALE	SHEET	REV		
			2:1	1 OF 1	A		