

THIS DRAWING IS UNPUBLISHED.

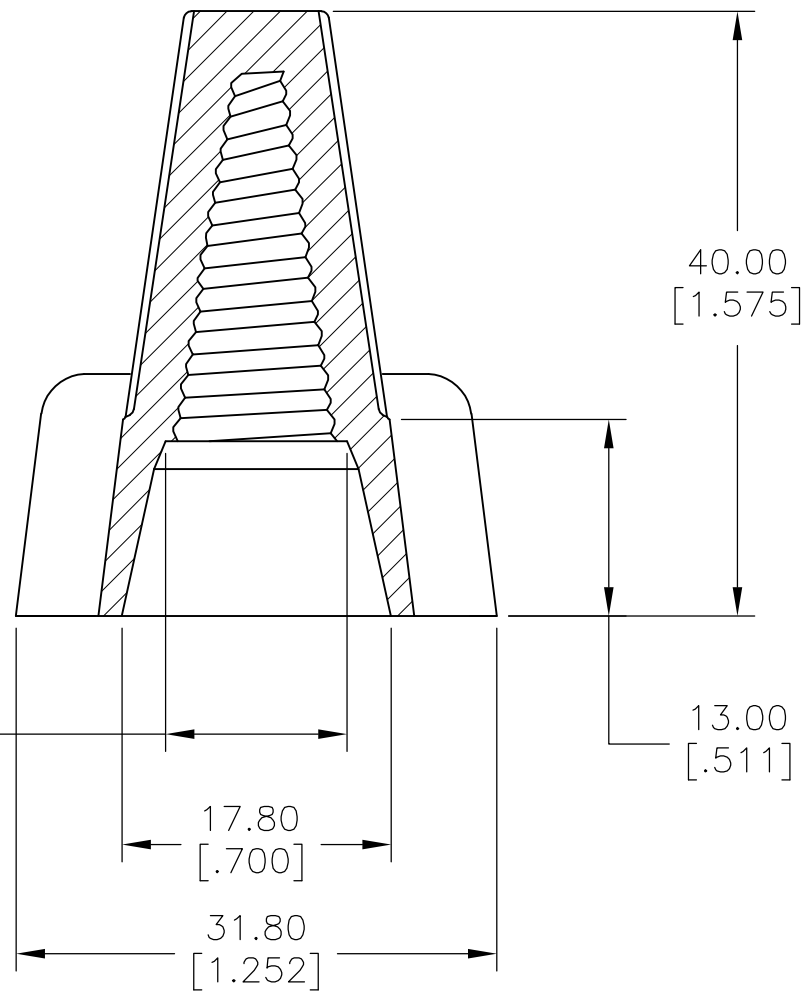
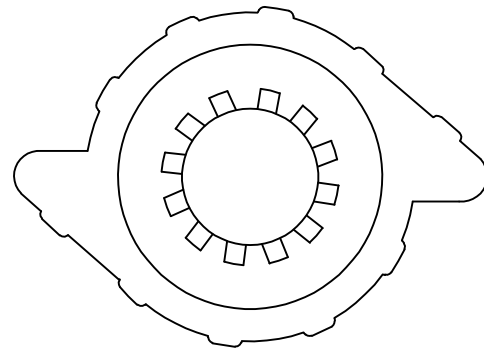
RELEASED FOR PUBLICATION

© COPYRIGHT - By -

ALL RIGHTS RESERVED.

REVISIONS

P	LTR	DESCRIPTION	DATE	DWN	APVD
	A	NEW DRAWING	16JAN2016	NK	RH



- 1 WORKING TEMPERATURE: 105° C
- 2 VOLTAGE: 600V MAX.
- 3 COLOR: BLUE
- 4 WIRE RANGE: #14-#6 AWG. MAX.3#8
W/1 #12 MIN.2#10 W/1#12
- 5 SPRING INSERT: STEEL

2299506-1 AS SHOWN

THIS DRAWING IS A CONTROLLED DOCUMENT.		DWN NAGALAKSHMI K 16JAN2016	TE Connectivity														
DIMENSIONS: mm [INCHES]		CHK HILL RYAN 16JAN2016															
TOLERANCES UNLESS OTHERWISE SPECIFIED:		APVD HILL RYAN 16JAN2016	NAME														
<table border="0"> <tr><td>0 PLC</td><td>± -</td></tr> <tr><td>1 PLC</td><td>± 0.2[.007]</td></tr> <tr><td>2 PLC</td><td>± 0.4[.015]</td></tr> <tr><td>3 PLC</td><td>± -</td></tr> <tr><td>4 PLC</td><td>± -</td></tr> <tr><td>ANGLES</td><td>± -</td></tr> </table>		0 PLC	± -	1 PLC	± 0.2[.007]	2 PLC	± 0.4[.015]	3 PLC	± -	4 PLC	± -	ANGLES	± -	PRODUCT SPEC	CPGI-WC-WNG-BL-BULK		
0 PLC	± -																
1 PLC	± 0.2[.007]																
2 PLC	± 0.4[.015]																
3 PLC	± -																
4 PLC	± -																
ANGLES	± -																
MATERIAL TOUGH THERMOPLASTIC UL 94V-2 FLAME-RETARDANT		FINISH -	APPLICATION SPEC	SIZE A3	CAGE CODE 00779	DRAWING NO C-2299506	RESTRICTED TO										
CUSTOMER DRAWING			WEIGHT -	SCALE 2:1	SHEET 1 OF 1	REV A											