

THIS DRAWING IS UNPUBLISHED.

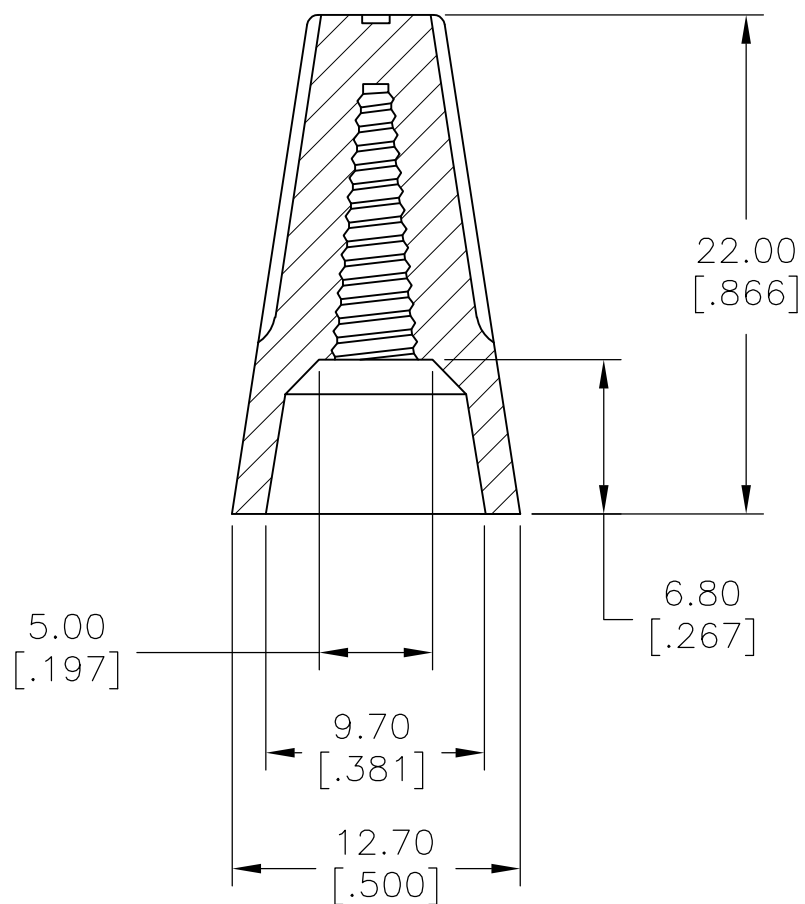
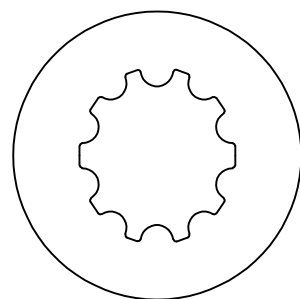
RELEASED FOR PUBLICATION

ALL RIGHTS RESERVED.

© COPYRIGHT - By -


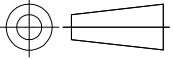
REVISIONS

| P | LTR | DESCRIPTION | DATE | DWN | APVD |
|---|-----|-------------|-----------|-----|------|
| | A | NEW DRAWING | 22JAN2016 | NK | RH |



- 1 WORKING TEMPERATURE: 105° C
- 2 VOLTAGE: 300V/600V MAX
- 3 COLOR: ORANGE
- 4 WIRE RANGE: #22-#14AWG MAX.4#16
W/1#20 MIN.1#18 W/1#20
- 5 SPRING INSERT: STEEL

2299503-1 AS SHOWN

| | | | | | | | |
|---|--|-----------------------------------|---|--------|-----------|------------|---------------|
| THIS DRAWING IS A CONTROLLED DOCUMENT. | | DWN NAGALAKSHMI K 22JAN2016 |  TE Connectivity | | | | |
| DIMENSIONS: mm [INCHES] | | CHK HILL RYAN 22JAN2016 | | | | | |
| TOLERANCES UNLESS OTHERWISE SPECIFIED: | | APVD HILL RYAN 22JAN2016 | NAME | | | | |
|  <ul style="list-style-type: none"> 0 PLC ± - 1 PLC ± 0.2[.007] 2 PLC ± 0.4[.015] 3 PLC ± - 4 PLC ± - ANGLES ± - | | PRODUCT SPEC | CPGI-WC-WG-OR-BULK | | | | |
| MATERIAL TOUGH THERMOPLASTIC UL 94V-2 FLAME-RETARDANT | | FINISH - | APPLICATION SPEC | SIZE | CAGE CODE | DRAWING NO | RESTRICTED TO |
| | | WEIGHT - | | A3 | 00779 | C-2299503 | - |
| CUSTOMER DRAWING | | | SCALE | SHEET | REV | | |
| | | | 3:1 | 1 OF 1 | A | | |