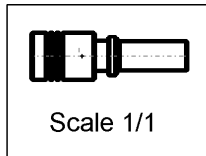
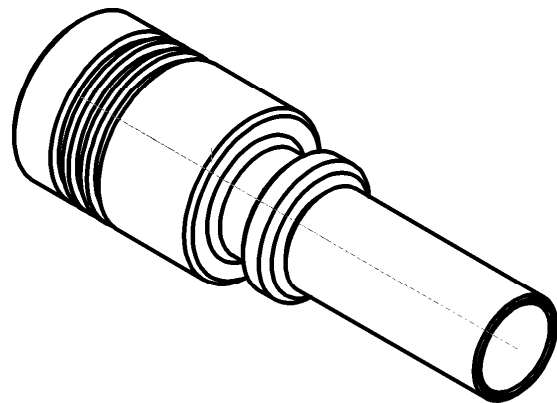
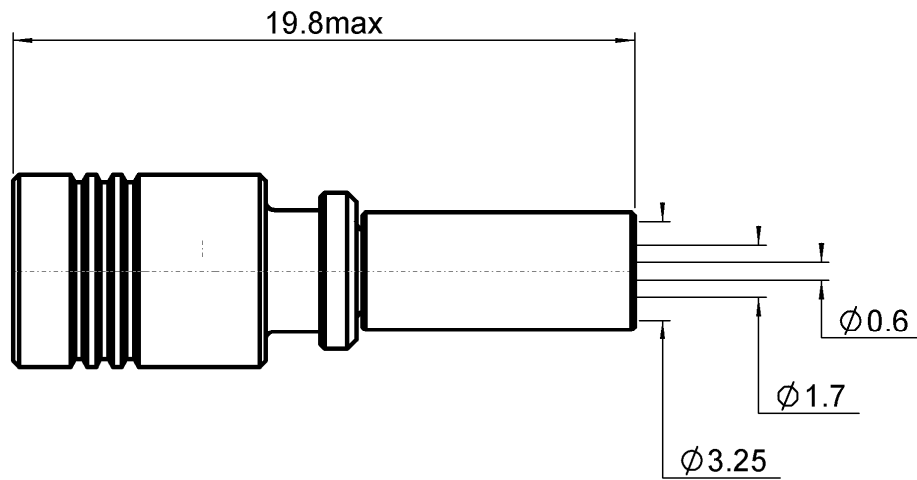


STRAIGHT PLUG CRIMP TYPE

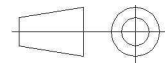
R114.082.000

CABLE 2.6/50+75 S

Series : SMB



All dimensions are in mm.



| COMPONENTS | MATERIALS | PLATING (μm) |
|----------------|------------------|---------------------------|
| BODY | BRASS | GOLD 0.2 OVER NICKEL 2 |
| CENTER CONTACT | BERYLLIUM COPPER | GOLD 0.2 OVER NICKEL 2 |
| OUTER CONTACT | BERYLLIUM COPPER | GOLD 0.5 OVER NICKEL 2 |
| INSULATOR | PTFE | |
| GASKET | - | |
| OTHERS PARTS | BRASS | GOLD 0.2 OVER NICKEL 2 |
| - | - | - |
| - | - | - |

Issue : 0941 A

In the effort to improve our products, we reserve the right to make changes judged to be necessary.



STRAIGHT PLUG CRIMP TYPE

R114.082.000

CABLE 2.6/50+75 S

Series : **SMB**

PACKAGING

| | | |
|------------|-------------------|-------------------|
| Standard | Unit | Other |
| 100 | 'W' option | Contact us |

SPECIFICATION

CABLE ASSEMBLY

ELECTRICAL CHARACTERISTICS

| Stripping | a | b | c | d | e | f |
|-----------|------|------|------|------|------|------|
| mm | 2,50 | 6,00 | 11,0 | 0,00 | 8,50 | 0,00 |

| | | |
|---------------------------------|----------------------|--------------------------|
| Impedance | 50 | Ω |
| Frequency | 0-4 | GHz |
| VSWR | 1.25 + 0,0400 | x F(GHz) Maxi |
| Insertion loss | 0.25 | \sqrt{F} (GHz) dB Maxi |
| RF leakage | - (57) | - F(GHz)) dB Maxi |
| Voltage rating | 335 | Veff Maxi |
| Dielectric withstanding voltage | 1000 | Veff mini |
| Insulation resistance | 1000 | M Ω mini |

Assembly instruction : **Crimp 02**

Recommended cable(s)

- RG 316
- KX 22A
- RG 188
- RG 179
- RG 187
- ECO 316
- RG 174
- KX 3B
- RG 174 FTX

Characteristics indicated on this data sheet are those that can be achieved with the highest performance cable. Intrinsic limitations of the cable may diminish the performance of the assembly

Cable retention

- pull off **110** N mini
- torque **3.9** N.cm

MECHANICAL CHARACTERISTICS

| | | |
|----------------------------|-----------|-----------|
| Center contact retention | | |
| Axial force – Mating end | 10 | N mini |
| Axial force – Opposite end | 10 | N mini |
| Torque | NA | N.cm mini |

| | | |
|--------------------|---------------|------|
| Recommended torque | | |
| Mating | NA | N.cm |
| Panel nut | NA | N.cm |
| Clamp nut | NA | N.cm |
| A/F clamp nut | 0,0000 | mm |

| | | |
|-------------|---------------|-------------|
| Mating life | 500 | Cycles mini |
| Weight | 2,0950 | g |

TOOLING

| Part Number | Description | Hexagon |
|--------------|-----------------------------|--------------------------|
| . | . | . |
| R282.281.000 | CRIMPING TOOL | 2x4(pos.3->50 pos.1->75) |
| R282.983.000 | POSITONER FOR CRIMPING TOOL | - |
| . And - (et) | | |
| R282.211.000 | CRIMPING TOOL | 3.25 |
| . Or - (ou) | | |
| R282.293.000 | CRIMPING TOOL M22520/5-01 | - |
| R282.235.003 | CRIMPING DIES M22520/5-03 | 3.25 |

ENVIRONMENTAL

| | | |
|-----------------------|-----------------|--------------|
| Operating temperature | -65/+165 | $^{\circ}$ C |
| Hermetic seal | NA | Atm.cm3/s |
| Panel leakage | NA | |

OTHER CHARACTERISTICS

Issue : **0941 A**

In the effort to improve our products, we reserve the right to make changes judged to be necessary.

