

THIS DRAWING IS UNPUBLISHED.

RELEASED FOR PUBLICATION MAY, 2006.

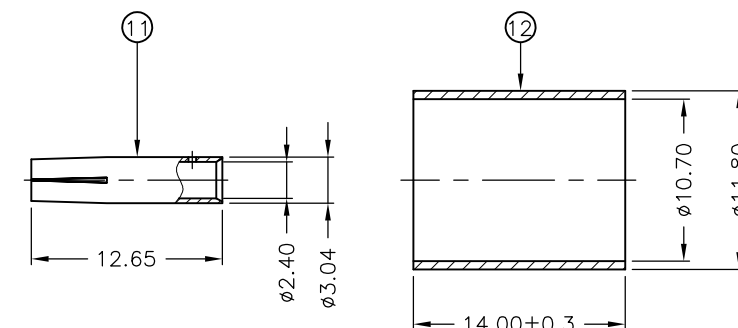
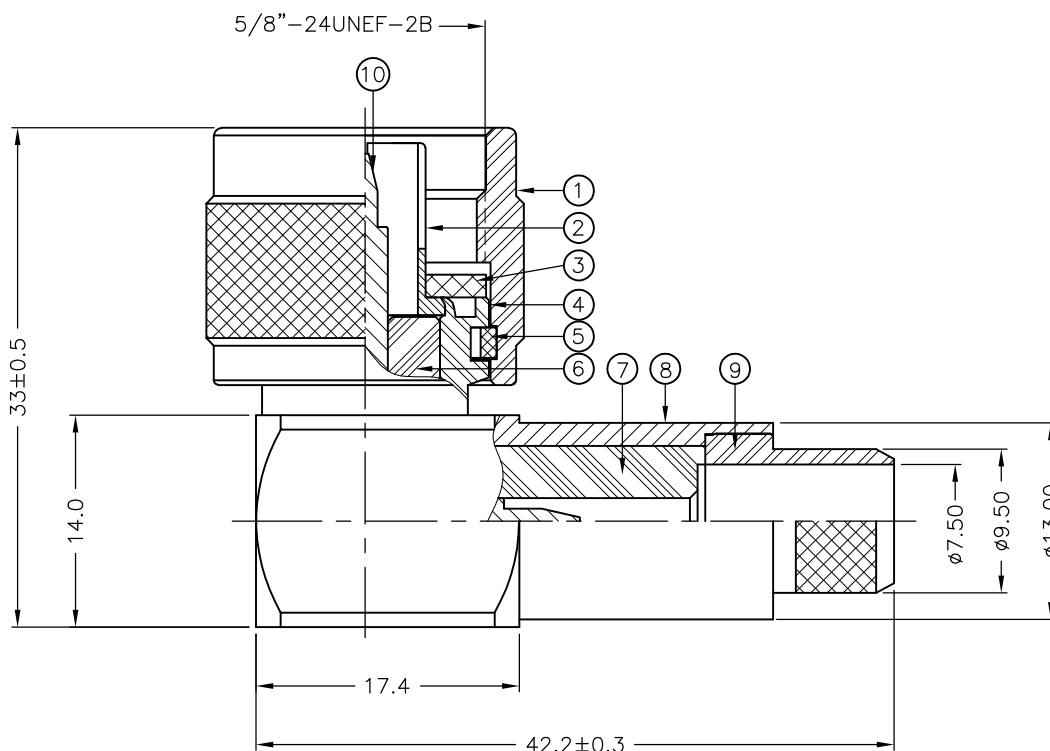
© COPYRIGHT 2006 By -

ALL RIGHTS RESERVED.

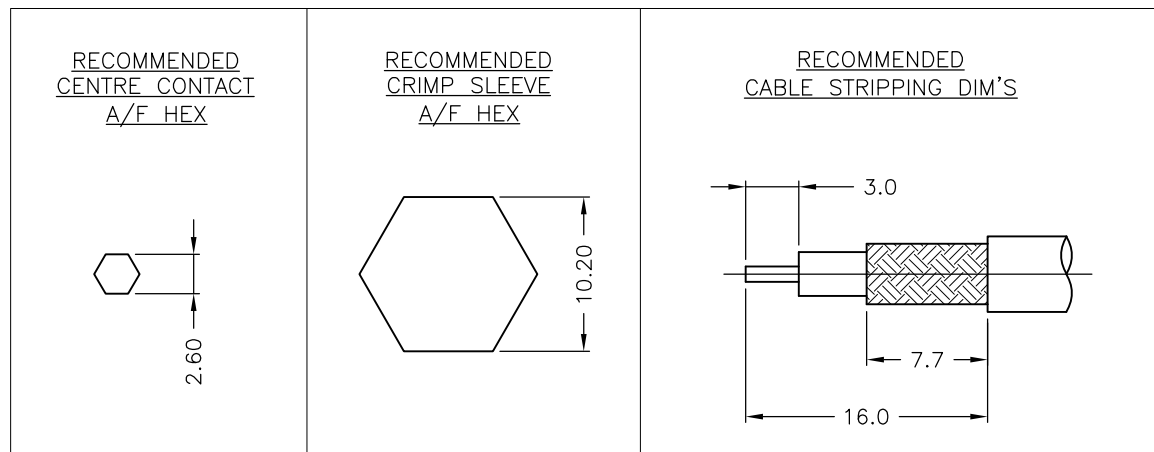
LOC	DIST	REVISIONS					
E	B	P	LTR	DESCRIPTION	DATE	DWN	APVD
		E		ECO-14-011245	29JUL2014	RZ	MY

NOTES:

- 1 PACKAGE ONE COMPLETE CONNECTOR IN HEAT SEALED, LABELED BAG/ 250 PER SHIPPING BOX. LABELED PER TEC-107-115
- 2 100 TRAY PACK IN ACCORDANCE WITH AMP SPEC 107-3275
- 3 Au PLATING
- 4 Ni PLATING
- 5 THIS ITEM MUST BE WHITE
- 6 HAND TOOL : 9-1478239-0
- 7 ELECTRICAL CHARACTERISTICS  
 FREQUENCY RANGE: DC - 11 GHz  
 NOMINAL IMPEDANCE: 50 Ohm  
 INSULATION RESISTANCE: 5000 MOhm  
 WORKING VOLTAGE: 1000 Volts RMS at Sea Level  
 DIELECTRIC WITHSTAND VOLTAGE: 2500 Volts RMS Max  
 CONTACT RESISTANCE: 1.00 mOhm Max  
 CENTRE CONTACT: 1.00 mOhm Max  
 OUTER CONTACT: 1.00 mOhm Max  
 VSWR @ 4GHz: 1.50:1 Max  
 INSERTION LOSS dB @ x 4 GHz: 0.30 Max
- 8 MECHANICAL CHARACTERISTICS  
 COUPLING RETENTION FORCE: 445N Min  
 CABLE RETENTION FORCE: 350N Min  
 DURABILITY: 500 Cycles Min
- 9 ENVIRONMENTAL CHARACTERISTICS  
 OPERATING TEMPERATURE: -65 to +165 DegC
- 10 FOR TECHNICAL DATA REFER TO YOUR LOCAL TE CONNECTIVITY SALES OFFICE
- 11 ALL DIMENSIONS ARE NOMINAL FOR REFERENCE ONLY UNLESS OTHERWISE STATED



QTY	UNIT	MATERIAL	DESCRIPTION	ITEM
1	1	BRASS	FERRULE	12
1	1	PHOSPHOR BRONZE	CONTACT 2	11
1	1	BRASS	CONTACT 1	10
1	1	BRASS	CHASSIS 2	9
1	1	BRASS	BODY 2	8
1	1	PTFE	INSULATION 2	7
1	1	PTFE	INSULATION 1	6
1	1	PHOSPHOR BRONZE	CIRCLIP	5
1	1	BRASS	BODY 1	4
1	1	SILICONE RUBBER	GASKET	3
1	1	BRASS	CHASSIS 1	2
1	1	BRASS	COUPLING NUT	1
6--0	1--0	MATERIAL	DESCRIPTION	ITEM
△	△			



THIS DRAWING IS A CONTROLLED DOCUMENT.

DWN J.SANDWELL 17MAY06  
 CHK S.PARLOW 17MAY06  
 APVD F.WHEELER-KING 17MAY06

STE TE Connectivity

NAME TYPE 'N' ELBOW PLUG CRIMP 50 OHM RG8A/U, 213/U, URM67, KX 4

PRODUCT SPEC - APPLICATION SPEC -

411-3247

SIZE A3 CAGE CODE 00779 DRAWING NO C-1337626 RESTRICTED TO -

MATERIAL SEE TABLE FINISH - WEIGHT -

CUSTOMER DRAWING SCALE NTS SHEET 1 OF 1 REV E