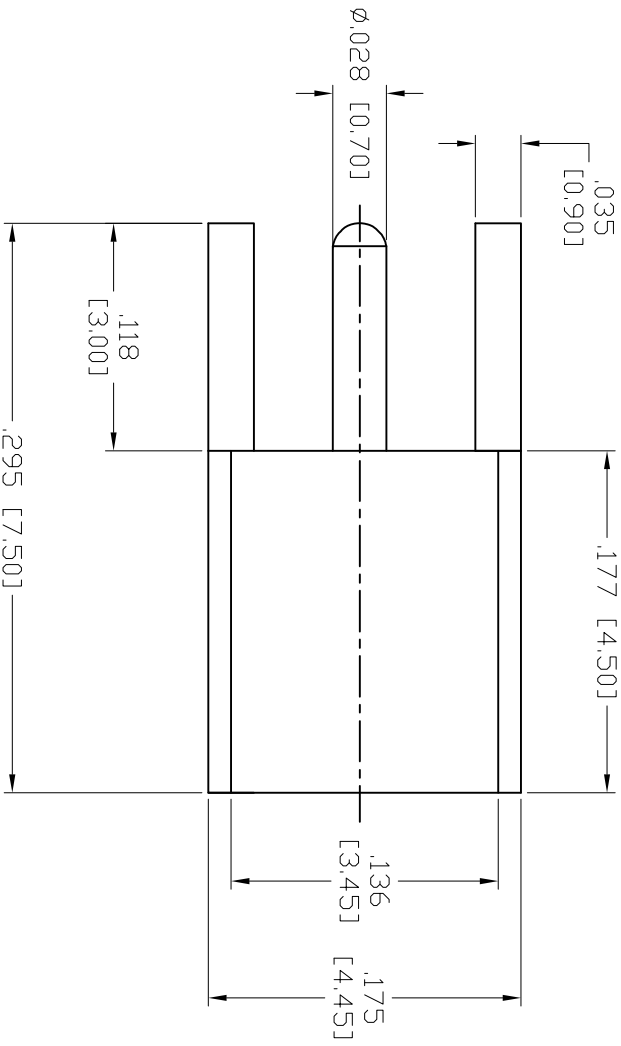
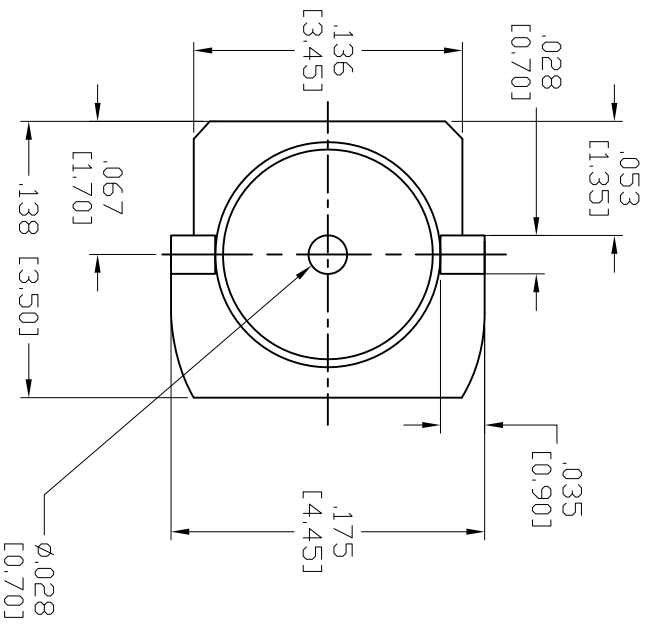


APPROVED: \_\_\_\_\_  
 DATE: \_\_\_\_\_ TITLE: \_\_\_\_\_

Rev	AWO #	Description	Date	Appr
-		RELEASED	1/10/06	
A		REDRAWN	5/15/12	



INSULATOR	TEFLON	NONE
PIN	Be Cu	GOLD
BODY	BRASS	GOLD
DESCRIPTION	MATERIAL	FINISH

**SPECIFICATIONS:**

Electrical:  
 Nominal Impedance: 50 ohms  
 Frequency range: 0-6 GHz  
 Working Voltage: 170 VRMS max.  
 Dielectric Withstanding Voltage: 500 VRMS min.  
 Contact Resistance: 5 Milliohms max. (Center Contact)  
 2.5 Milliohms max. (Outer Contact)  
 Insulator Resistance: 1000 Megohms min.  
 Environmental:  
 Lead free, RoHS compliant.



UNLESS OTHERWISE SPECIFIED ALL DIMENSIONS ARE MM [INCHES]	
TOLERANCES: EXCEPT AS NOTED	
INCHES	HOLES
.X ± .10	ØX ± .10
.XX ± .020	ØXXX ± .015
.XXX ± .015	ØXXX ± .010
APPROVALS	DATE
DRAWN	SLS
CHECKED	
APPROVED	

**ADAM TECH**  
 909 Rahway Avenue, Union, NJ 07083  
 Phone: 908-687-5000 Fax: 908-687-0214

TITLE: RF CONNECTOR, TYPE MMCK, VERTICAL, 50 OHM, PCB MOUNT

SIZE: X PART NO.: RF-12-05-T-00-50-G

REF: S00011T SCALE: NTS SHEET 1 OF 1

