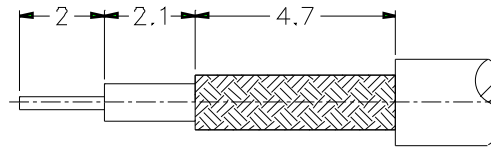
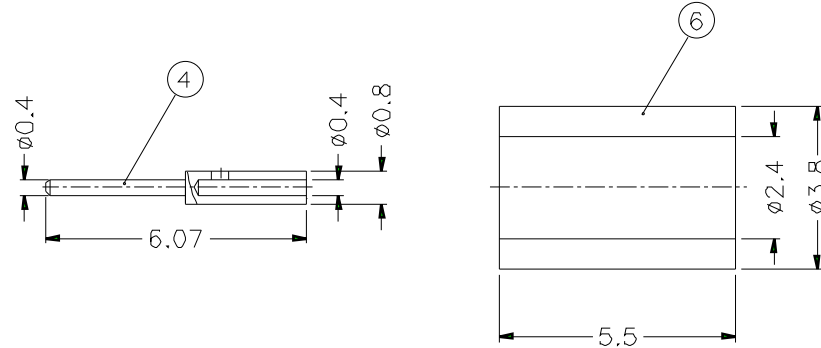
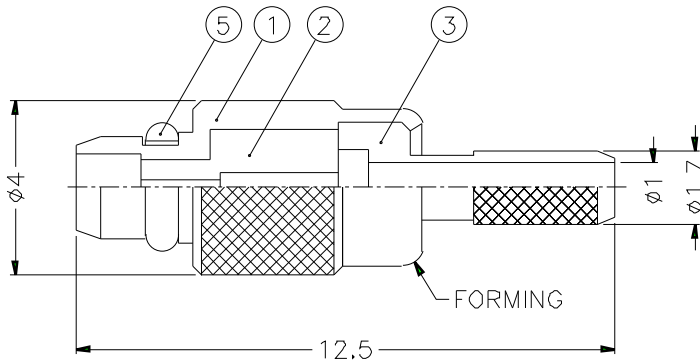


		1		2		3		4		5		6		7		8	
REVISIONS																	
ISS	ZONE	DESCRIPTION\PER REQUEST\DATE															



RECOMMENDED
CABLE STRIPPING DIM'S



NOTES: FINISH (PLATING THICKNESS IN MICRO-INCHES)

1. BRASS PER QQ-B-626
2. GOLD PL. 3 MIN. THICK OVER NICKEL PL. 100 MIN. THICK OVER COPPER STRIKE
3. BERYLLIUM COPPER PER QQ-C-530
4. GOLD PL. 30 MIN. THICK OVER NICKEL PL. 100 MIN. THICK OVER COPPER STRIKE
5. TEFLON MIL-P-19468

1. CRIMPED FERRULE
HEX CRIMP SIZE .128"

6	FERRULE	COPPER	NOTE 2	1	FR-38/24X55C	DIMENSIONS ARE IN MILLIMETERS UNLESS OTHERWISE SPECIFIED TOLERANCES 0.5-6 = ± 0.2 6-30 = ± 0.4 30-120 = ± 0.6 120-315 = ± 1 315-1000 = ± 1.6 1000-2000 = ± 2.4				PART NO. MMCX1121A1-3GT30G-14-50		<h1>Amphenol</h1>
5	RETAINER RING	NOTE 3	NOTE 2	1	MMCX1121A1-5-C					APPROVED	DATE	
4	CONTACT PIN	NOTE 1	NOTE 4	1	MMCX1121A1-4-08/04-B	CHECKED	DATE	10-11-01'	DRAWING NO.	KJ-MMCX1121A1-3GT30G-196AU-50		
3	BARREL	NOTE 1	NOTE 2	1	MMCX1121A1-3-17/1	DRAWN	DATE	10-11-01'	ITEM NO.			
2	INSULATOR	NOTE 5	NATURAL	1	MMCX1121A1-2T-50-B							
1	BODY	NOTE 1	NOTE 2	1	MMCX1121A1-1-C							
NO.	DESCRIPTION	MATERIAL	FINISH	Q'TY	DRAWING NO.	SCALE	6/1	ISSUE	A	FILE NO.		

		1		2		3		4		5		6		7		8	
--	--	---	--	---	--	---	--	---	--	---	--	---	--	---	--	---	--