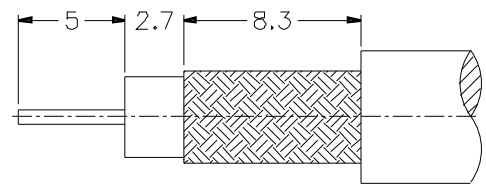
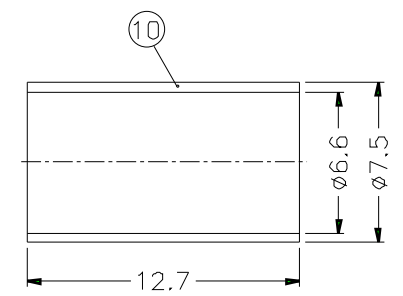
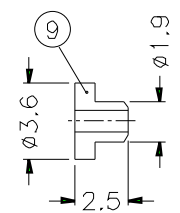
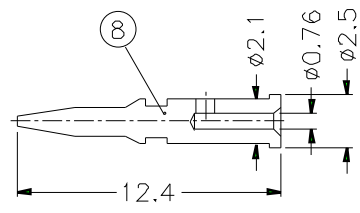
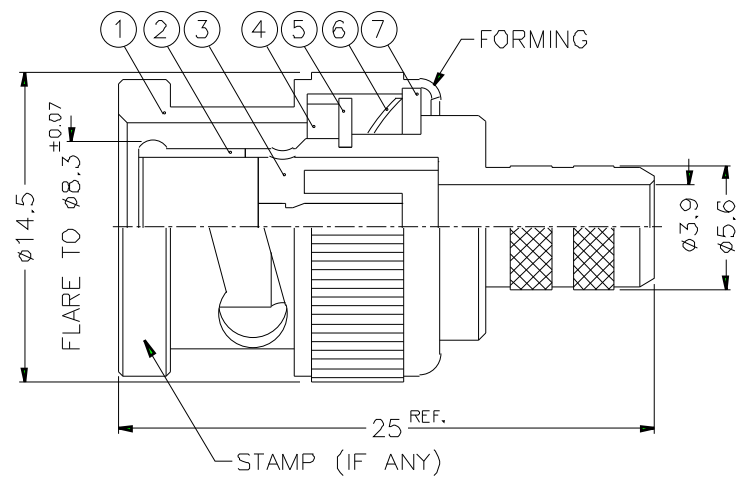


ISS		ZONE		REVISIONS		DESCRIPTION\PER REQUEST\DATE				
10	FERRULE	NOTE 6	NOTE 3	1	FR-75/66X127	DIMENSIONS ARE IN MILLIMETERS				
9	INSULATOR	DELTRIN	NATURAL	1	B50000-11-36/1	UNLESS OTHERWISE SPECIFIED TOLERANCES				
8	CONTACT PIN	NOTE 1	NOTE 5	1	B50000-8-25/076	0.5-6 = ±0.2				
7	WASHER	NOTE 2	NOTE 3	1	WS-128/9X08	6-30 = ±0.4				
6	SPRING	SK5	NOTE 4	1	B50000-6	30-120 = ±0.6				
5	RETAINER RING	NOTE 1	NOTE 3	1	B50000-5	120-315 = ±1				
4	GASKET	RUBBER	RED	1	GS-115/8X15	315-1000 = ±1.6				
3	INSULATOR	DELTRIN	NATURAL	1	B50000-3-75-A	1000-2000 = ±2.4				
2	BODY	NOTE 1	NOTE 3	1	B50000-2-56/39	PART NO. B1121A1ND3G375				
1	SHELL	NOTE 1	NOTE 3	1	B50000-1-B	APPROVED DATE 10-11-01'				
NO.	DESCRIPTION	MATERIAL	FINISH	Q'TY	DRAWING NO.	SCALE 3/1	ISSUE A	TITLE BNC CRIMP PLUG		
							DRAWN DATE 10-11-01'		DRAWING NO. KJ-B1121A1-ND3G-62AU-75	
							FILE NO.		ITEM NO.	



RECOMMENDED CABLE STRIPPING DIM'S



- NOTES: FINISH (PLATING THICKNESS IN MICRO-INCHES)
- BRASS PER QQ-B-626
 - BRASS PER QQ-B-613
 - NICKEL PL. 100 MIN. THICK OVER COPPER STRIKE
 - NICKEL PL. 200 MIN. THICK OVER COPPER STRIKE
 - GOLD PL. 3 MIN. THICK OVER NICKEL PL. 100 MIN. THICK OVER COPPER STRIKE
 - JIS H 3250, C 2700

- CRIMPED FERRULE
HEX CRIMP SIZE .255"
- CRIMPED CONTACT PIN
HEX CRIMP SIZE .068"

Amphenol

DRAWING NO. KJ-B1121A1-ND3G-62AU-75