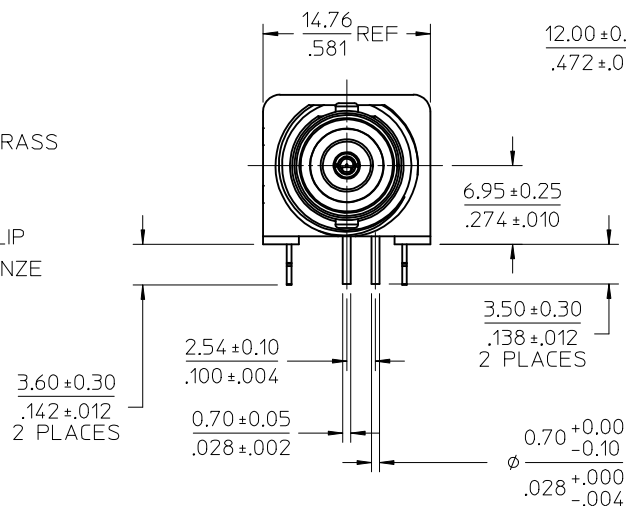
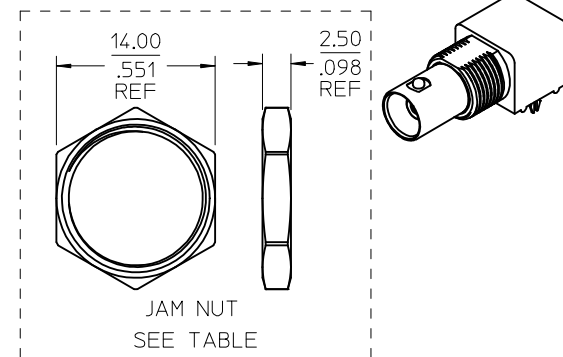
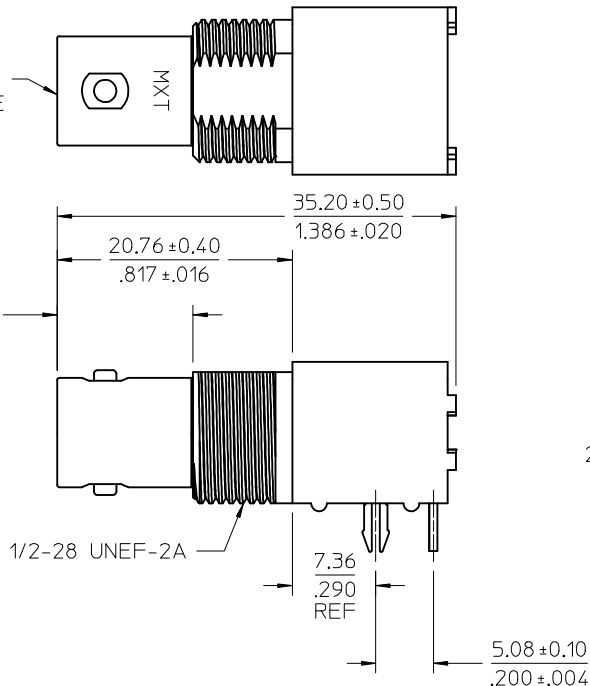


MATERIALS AND FINISHES

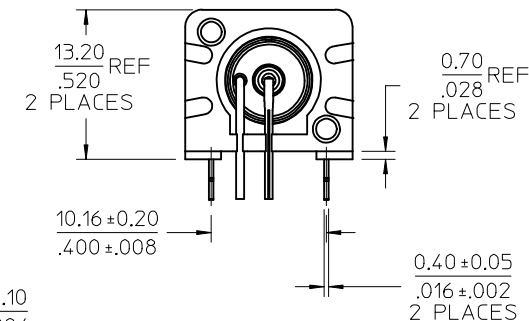
- BODY ZINC ALLOY  
PLATED NICKEL
- CENTER CONTACT PHOSPHOR BRONZE  
PLATED GOLD
- INSULATOR POLYPROPYLENE
- HOUSING P.B.T.  
COLOR BLACK
- SOLDER TAIL BRASS  
PLATED TIN
- BOARD LOCK CLIP  
PHOSPHOR BRONZE  
PLATED TIN



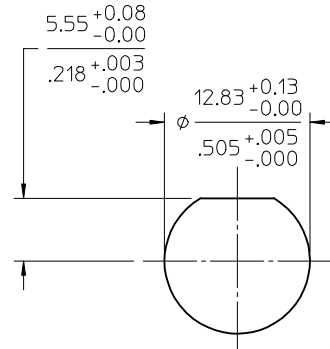
BNC JACK  
INTERFACE



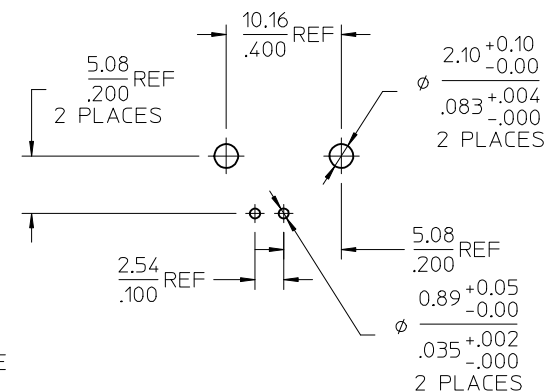
JAM NUT  
SEE TABLE



73171-3061	TRAY PACK, JAM NUT BULK	INCLUDED
73171-3060	73100-0167, ONE PER BAG	NOT INCLUDED
73100-0167	TRAY PACK	NOT INCLUDED
PART NO.	PACKAGING	JAM NUT
		89611-0450



RECOMMENDED MOUNTING HOLE  
RECOMMENDED MOUNTING  
TORQUE: 0.56 N-m (5.0 IN-LBS)  
PANEL THICKNESS: 5.5 (.217) MAX



RECOMMENDED PCB LAYOUT

PS-89675-1030	ELECTRO/MECH PERFORM
SPECIFICATION	DESCRIPTION

CHG: UPDATED VIEWS OF CORRECTED SUB-ASSEMBLY.	EC NO: URF2016-0072	DRWN: ARROBERTSON 2015/08/27	CHKD: SSS 2015/08/27	APPR: ARROBERTSON 2015/08/31
	DESCRIPTION			
REV	B5			

QUALITY SYMBOLS	GENERAL TOLERANCES (UNLESS SPECIFIED)																	
	<table border="1"> <tr> <th></th> <th>mm</th> <th>INCH</th> </tr> <tr> <td>4 PLACES</td> <td>± .005</td> <td>± .0005</td> </tr> <tr> <td>3 PLACES</td> <td>± .004</td> <td>± .0004</td> </tr> <tr> <td>2 PLACES</td> <td>± .003</td> <td>± .0003</td> </tr> <tr> <td>1 PLACE</td> <td>± .002</td> <td>± .0002</td> </tr> <tr> <td>0 PLACE</td> <td>± .001</td> <td>± .0001</td> </tr> </table>		mm	INCH	4 PLACES	± .005	± .0005	3 PLACES	± .004	± .0004	2 PLACES	± .003	± .0003	1 PLACE	± .002	± .0002	0 PLACE	± .001
	mm	INCH																
4 PLACES	± .005	± .0005																
3 PLACES	± .004	± .0004																
2 PLACES	± .003	± .0003																
1 PLACE	± .002	± .0002																
0 PLACE	± .001	± .0001																
	ANGULAR ± .005																	
	DRAFT WHERE APPLICABLE MUST REMAIN WITHIN DIMENSIONS																	

DIMENSION STYLE MM/IN	
DRAWN BY IRIS	DATE 1995/02/14
CHECKED BY SSS	DATE 2015/08/27
APPROVED BY	DATE
MATERIAL NO. SEE TABLE	
DOCUMENT NO. SD-73100-0167	
SHEET NO. 1 OF 1	

SCALE METRIC	DESIGN UNITS METRIC	THIRD ANGLE PROJECTION
BNC JACK R/A PCB TH COMMERCIAL 50 OHM BNC-J/RA/PCB		
<b>molex</b>		
THIS DRAWING CONTAINS INFORMATION THAT IS PROPRIETARY TO MOLEX INCORPORATED AND SHOULD NOT BE USED WITHOUT WRITTEN PERMISSION		

MATERIALS AND FINISHES

SEE SD-73100-0167

J  
I  
H  
G  
F  
E  
D  
C  
B  
A

J  
I  
H  
G  
F  
E  
D  
C  
B  
A

73171-3061	73100-0167 IN STANDARD TRAY PACK, J/N BULK	INCLUDED
73171-3060	THIS IS 73100-0167 PLACED IN SINGLE BAG	NOT INCLUDED
PART NO.	PACKAGING	JAM NUT
		89611-0450

CHG: ADDED FOR TABULATION FOR JAM NUT & PACKAGING. EC NO: URF2015-0140 DRWINAROBERTSON 2014/09/23 CHKD:SSS 2014/09/23 APPR:WSP/INK 2014/09/25	DESCRIPTION REV: A1	QUALITY SYMBOLS 	GENERAL TOLERANCES (UNLESS SPECIFIED) <table border="1"> <tr> <td></td> <td>mm</td> <td>INCH</td> </tr> <tr> <td>4 PLACES</td> <td>± .---</td> <td>± .---</td> </tr> <tr> <td>3 PLACES</td> <td>± .---</td> <td>± .---</td> </tr> <tr> <td>2 PLACES</td> <td>± .---</td> <td>± .---</td> </tr> <tr> <td>1 PLACE</td> <td>± .---</td> <td>± .---</td> </tr> <tr> <td colspan="3">ANGULAR ± .---°</td> </tr> </table>		mm	INCH	4 PLACES	± .---	± .---	3 PLACES	± .---	± .---	2 PLACES	± .---	± .---	1 PLACE	± .---	± .---	ANGULAR ± .---°			DIMENSION STYLE <b>MM/IN</b> DRAWN BY DATE TEF 2007/03/29 CHECKED BY DATE SSS 2007/03/29 APPROVED BY DATE JDW 2007/03/29	SCALE DESIGN UNITS METRIC	THIRD ANGLE PROJECTION 	TITLE BNC JACK,R/A BULKHEAD, BLACK W/BOARD LOCKS 50 OHMS, BNC-J/RA/BLK	MATERIAL NO. <b>731713060</b>	DOCUMENT NO. <b>SD-73171-306</b>	SHEET NO. 1 OF 1
			mm	INCH																								
		4 PLACES	± .---	± .---																								
		3 PLACES	± .---	± .---																								
2 PLACES	± .---	± .---																										
1 PLACE	± .---	± .---																										
ANGULAR ± .---°																												
DRAFT WHERE APPLICABLE MUST REMAIN WITHIN DIMENSIONS			SIZE 	THIS DRAWING CONTAINS INFORMATION THAT IS PROPRIETARY TO MOLEX INCORPORATED AND SHOULD NOT BE USED WITHOUT WRITTEN PERMISSION																								
MOLEX INCORPORATED																												
Molex logo																												