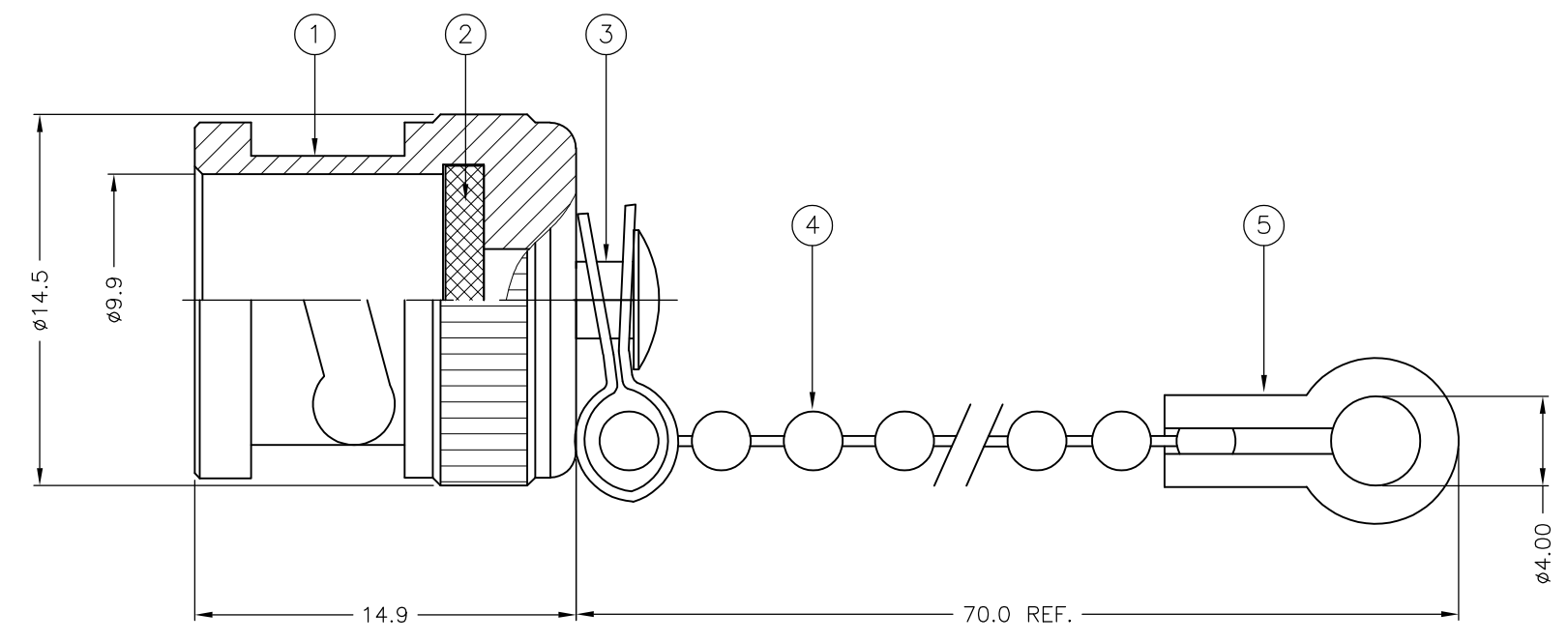


THIS DRAWING IS UNPUBLISHED. RELEASED FOR PUBLICATION JAN , 2006.
 © COPYRIGHT 2006 By - ALL RIGHTS RESERVED.

REVISIONS					
P	LTR	DESCRIPTION	DATE	DWN	APVD
	E	ECR-15-008519	05JUN2015	RZ	RS

- NOTES:**
- ① SINGLE PACKING: ONE CONNECTOR PER LABELED BAG PACKAGED. LABELED PER TEC-107-115
 - ② TRAY PACKAGED
 - ③ Ni PLATING
 - ④ PASSIVATION
 - ⑤ THIS ITEM MUST BE WHITE
- 6 ELECTRICAL CHARACTERISTICS
- | | |
|-------------------------------|---------------|
| FREQUENCY RANGE: | N/A |
| NOMINAL IMPEDANCE: | N/A |
| INSULATION RESISTANCE: | N/A |
| WORKING VOLTAGE: | N/A |
| DIELECTRIC WITHSTAND VOLTAGE: | N/A |
| CONTACT RESISTANCE: | |
| CENTER CONTACT: | N/A |
| OUTER CONTACT: | 0.20 mOhm Max |
| VSWR @ xGHz: | N/A |
| INSERTION LOSS xdb: | N/A |
- 7 MECHANICAL CHARATERISTICS
- | | |
|---------------------------|----------------|
| COUPLING RETENTION FORCE: | N/A |
| CABLE RETENETION FORCE: | N/A |
| DURABILITY: | 500 Cycles Min |
- 8 ENVIRONMENTAL CHARACTERISTICS
- | | |
|------------------------|------------------|
| OPERATING TEMPERATURE: | -65 to +165 DegC |
|------------------------|------------------|



QTY	QTY	MATERIAL	DESCRIPTION	ITEM
2	2	STAINLESS STEEL	JOINT	5
1	1	STAINLESS STEEL	CHAIN	4
1	1	BRASS	RIVET	3
1	1	SILICONE RUBBER	GASKET	2
1	1	BRASS	SHELL	1
6--0	1--0			
QUANTITY PER ASSY		PARTS LIST		

THIS DRAWING IS A CONTROLLED DOCUMENT.		DWN J.SANDWELL 25JAN06	TE Connectivity														
DIMENSIONS: mm		CHK S.PARLOW 25JAN06															
TOLERANCES UNLESS OTHERWISE SPECIFIED:		APVD F.WHEELER-KING 25JAN06	NAME BNC PLUG CAP+CHAIN														
<table border="0"> <tr><td>0 PLC</td><td>± -</td></tr> <tr><td>1 PLC</td><td>± 0.5</td></tr> <tr><td>2 PLC</td><td>± 0.1</td></tr> <tr><td>3 PLC</td><td>± -</td></tr> <tr><td>4 PLC</td><td>± -</td></tr> <tr><td>ANGLES</td><td>± -</td></tr> </table>		0 PLC	± -	1 PLC	± 0.5	2 PLC	± 0.1	3 PLC	± -	4 PLC	± -	ANGLES	± -	PRODUCT SPEC -	RESTRICTED TO -		
0 PLC	± -																
1 PLC	± 0.5																
2 PLC	± 0.1																
3 PLC	± -																
4 PLC	± -																
ANGLES	± -																
MATERIAL SEE TABLE		FINISH -	APPLICATION SPEC -	SIZE A3	CAGE CODE 00779												
CUSTOMER DRAWING			WEIGHT -	DRAWING NO C-1337524	RESTRICTED TO -												
			SCALE NTS	SHEET 1 OF 1	REV E												