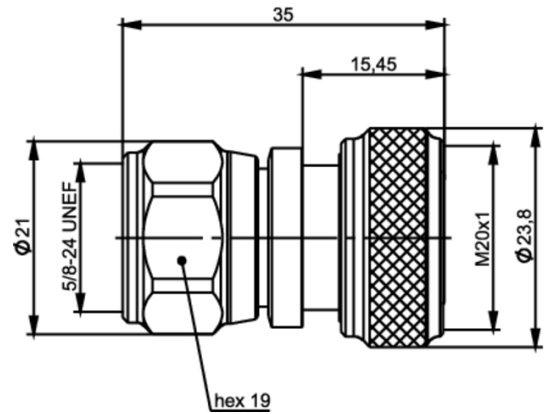


order number: J01027A0029

Adaptor N to 4.3-10, m-m, Hand Screw Type



| Technical Attributes |                                       |
|----------------------|---------------------------------------|
| Remarks              | m-m                                   |
| Type                 | Hand Screw Type                       |
| Return Loss          | 39 dB/2 GHz; 34 dB/3 GHz; 28 dB/6 GHz |