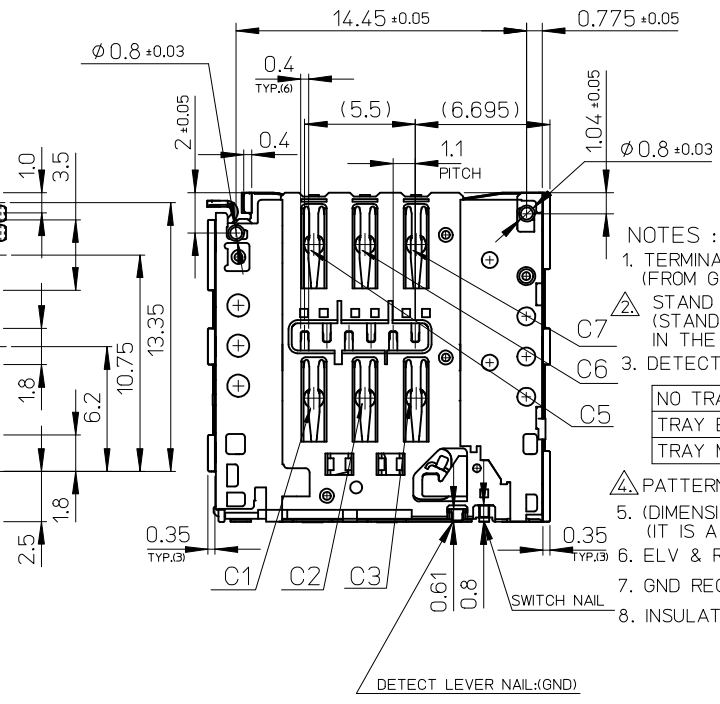
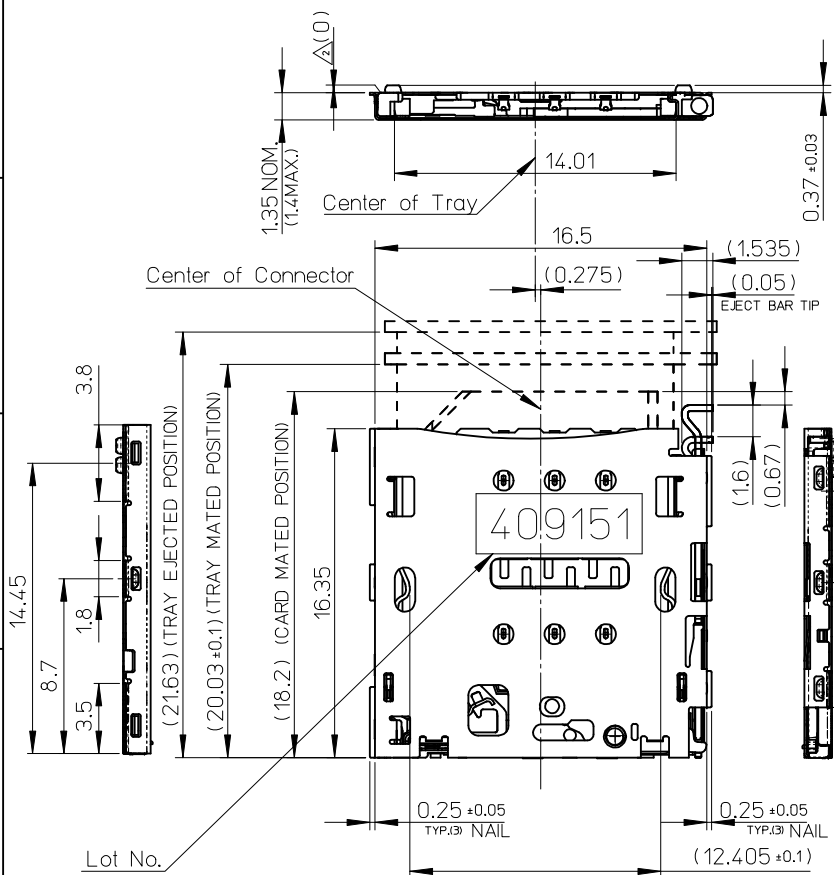


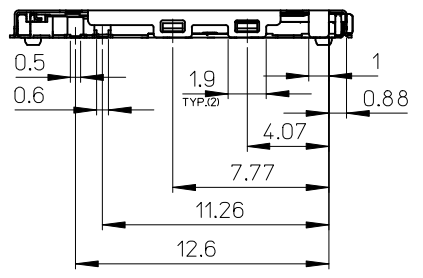
CONFIDENTIAL

No.	NAME	MATERIAL
①	HOUSING	LIQUID CRYSTAL POLYMER UL94V-0, BLACK
②	TERMINAL	COPPER ALLOY
③	SHELL	STAINLESS STEEL
④	EJECT LEVER	STAINLESS STEEL
⑤	EJECT BAR	STAINLESS STEEL
⑥	DETECT LEVER	COPPER ALLOY
⑦	DETECT SWITCH	COPPER ALLOY
⑧	HOOK	STAINLESS STEEL
⑨	METAL PLATE	STAINLESS STEEL



- NOTES :
1. TERMINAL AND NAIL COPLANARITY TO BE 0.08 MAXIMUM. (FROM GAUGE PLANE)
 2. STAND OFF DIMENSION (STAND OFF DIMENSION IS INCLUDED IN THE CONNECTOR TOTAL HEIGHT)
 3. DETECT SWITCH FUNCTION
- | | |
|-----------------------|-------|
| NO TRAY | OPEN |
| TRAY EJECTED POSITION | OPEN |
| TRAY MATED POSITION | CLOSE |
4. PATTERN KEEP OUT AREA DIMENSION
 5. (DIMENSION) : REFERENCE VALUE (IT IS A NOT A MANAGEMENT DIMENSION)
 6. ELV & RoHS COMPLIANT.
 7. GND RECOMMENDED PATTERN.
 8. INSULATION PLATING IS CONTAINED.

Lot No. 4 09 15 1
 THE YEAR OF GRACE 2014 年 MONTH 09 : 9月 DAY 15 : 15日 LINE No. 1-9 A-Z

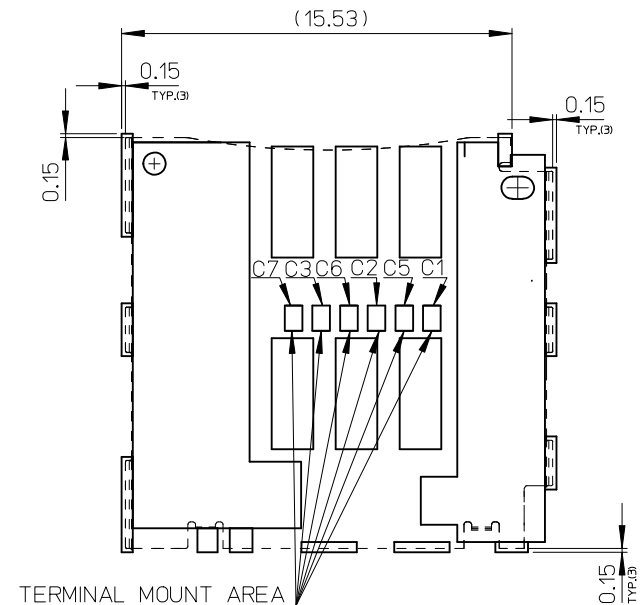
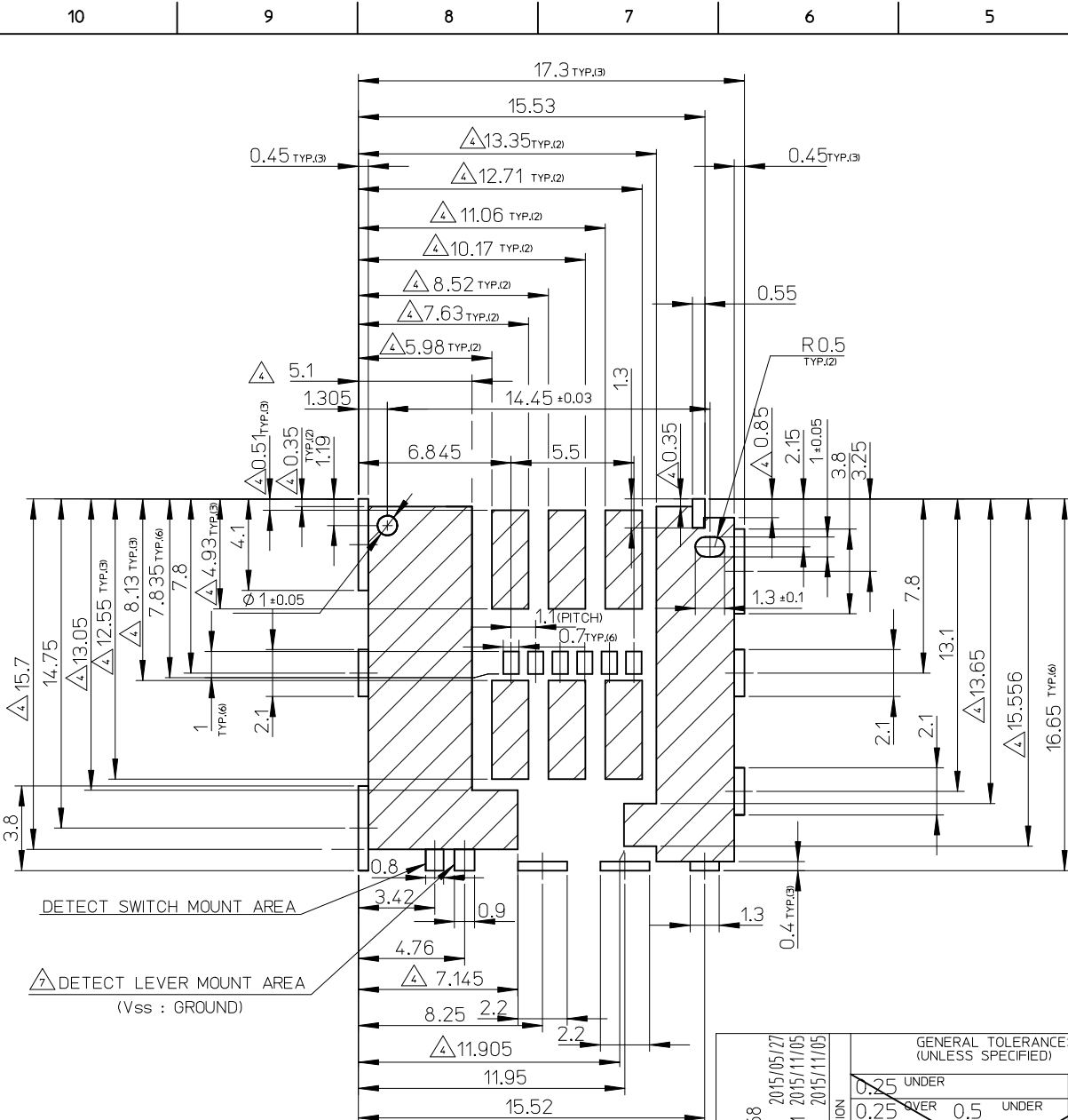


PIN ASSIGNMENT

C1:	Vcc
C2:	RST
C3:	CLK
C5:	GND
C6:	Vpp
C7:	I/O

505020-0692	6
EMBOSSED PACKAGE	CIRCUITS
ORDER NO.	
CONNECTOR SERIES No. 505020-****	

REVISED EC NO: J2016-0468 DRWN:YNAITO 2015/05/27 CHKD:TKUSUHARA01 2015/11/05 APPR:NUKITA 2015/11/05	GENERAL TOLERANCES (UNLESS SPECIFIED)		DIMENSION STYLE MM ONLY		SCALE 4:1	DESIGN UNITS METRIC	THIRD ANGLE PROJECTION
	0.25 UNDER	± 0.03	DRAWN BY	DATE	TITLE		
	0.25 OVER 0.5 UNDER	± 0.05	MHAYASHI	2014/11/26	MICRO SIM CONN. BAR-PUSH TYPE DUAL HOOK ASSY ANTI-BUCKLING		
	0.5 OVER 1.0 UNDER	± 0.1	CHECKED BY	DATE	molex		
1.0 OVER 10 UNDER	± 0.2	TKUSUHARA	2014/11/26	APPROVED BY	DATE	DOCUMENT NO.	SHEET NO.
10 OVER 30 UNDER	± 0.25	NUKITA	2014/12/09	SEE CHART		SD-505020-003	1 OF 4
30 OVER	± 0.3	MATERIAL NO.					
ANGULAR ±1 °		SIZE A3		THIS DRAWING CONTAINS INFORMATION THAT IS PROPRIETARY TO MOLEX INCORPORATED AND SHOULD NOT BE USED WITHOUT WRITTEN PERMISSION			
DRAFT WHERE APPLICABLE MUST REMAIN WITHIN DIMENSIONS							

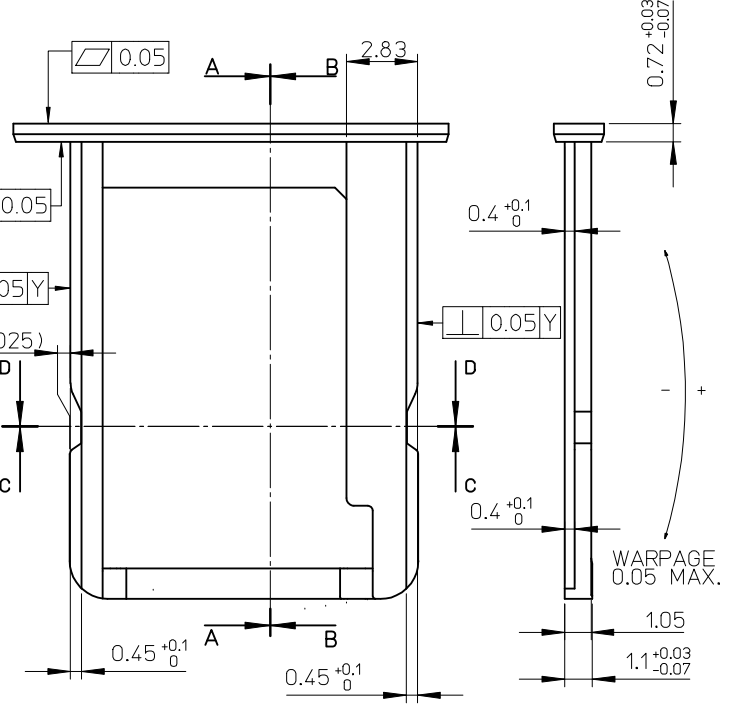
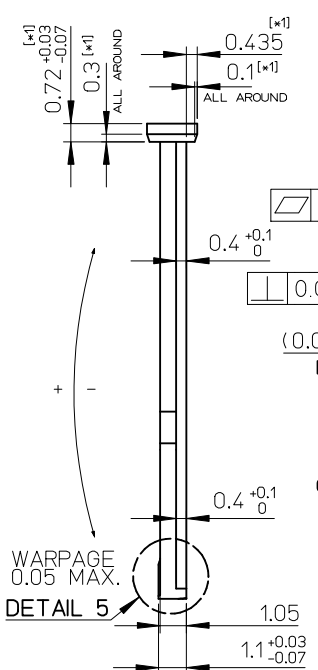
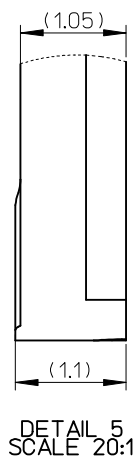
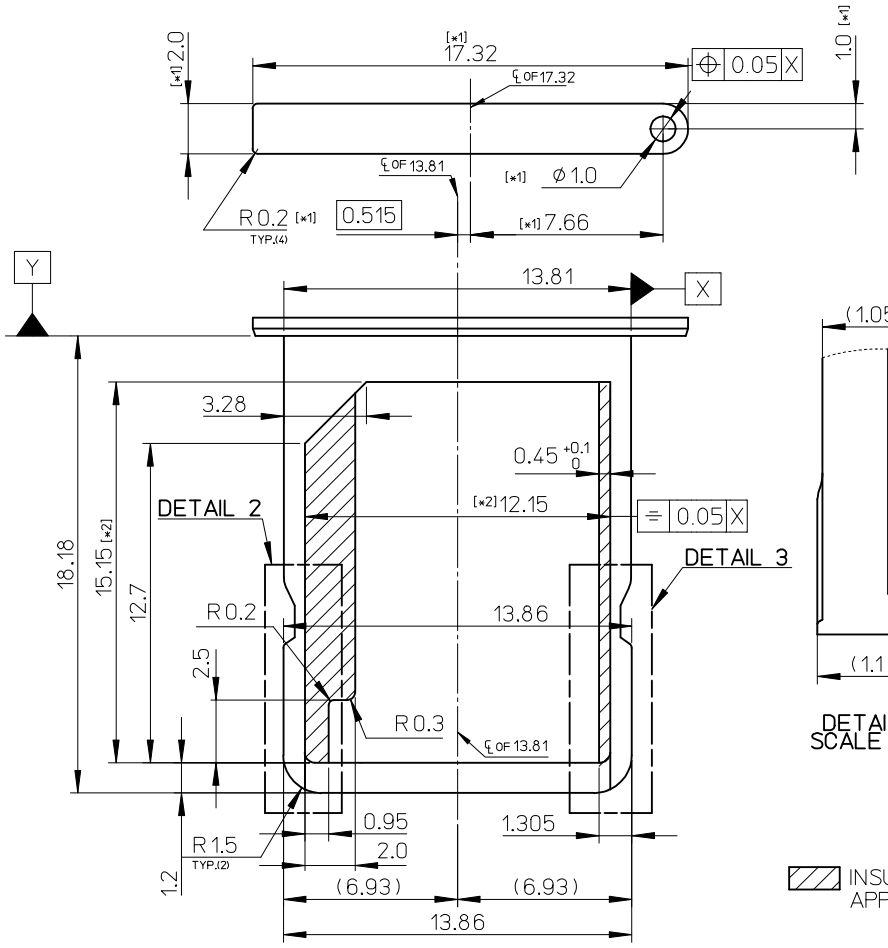


ON BOARD LOCATION REFERENCE

DETECT SWITCH MOUNT AREA
 DETECT LEVER MOUNT AREA (V_{SS} : GROUND)
 RECOMMENDED P.W.BOARD PATTERN LAYOUT
 TOLERANCE : ±0.05

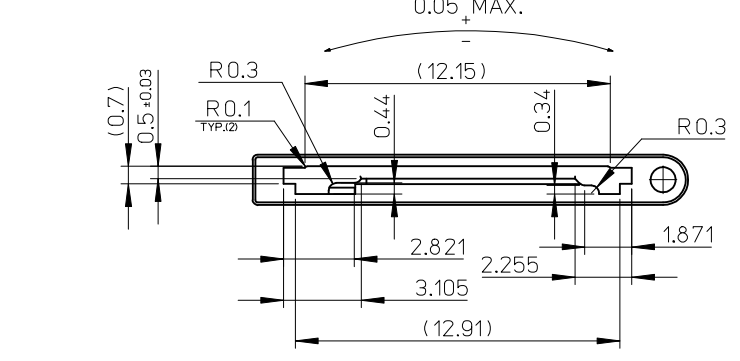
△ PATTERN KEEP OUT AREA TOLERANCE : ±0.05
 △ GND RECOMMENDED PATTERN

SEE SHEET 1 EC NO: J2016-0468 DRW: YNAITO 2015/05/27 CHKD: TKUSUHARA01 2015/11/05 APPR: NUKITA 2015/11/05	GENERAL TOLERANCES (UNLESS SPECIFIED)		DIMENSION STYLE MM ONLY		SCALE 5:1	DESIGN UNITS METRIC	THIRD ANGLE PROJECTION	
	0.25 UNDER ±0.03 0.25 OVER 0.5 UNDER ±0.05 0.5 OVER 1.0 UNDER ±0.1 1.0 OVER 10 UNDER ±0.2 10 OVER 30 UNDER ±0.25 30 OVER ±0.3 ANGULAR ±1 °	DRAWN BY MHAYASHI DATE 2014/11/26	TITLE MICRO SIM CONN. BAR-PUSH TYPE DUAL HOOK ASSY ANTI-BUCKLING					
	DRAFT WHERE APPLICABLE MUST REMAIN WITHIN DIMENSIONS	APPROVED BY NUKITA DATE 2014/12/09	MATERIAL NO. SEE SHEET 1					
	SIZE A3	THIS DRAWING CONTAINS INFORMATION THAT IS PROPRIETARY TO MOLEX INCORPORATED AND SHOULD NOT BE USED WITHOUT WRITTEN PERMISSION						

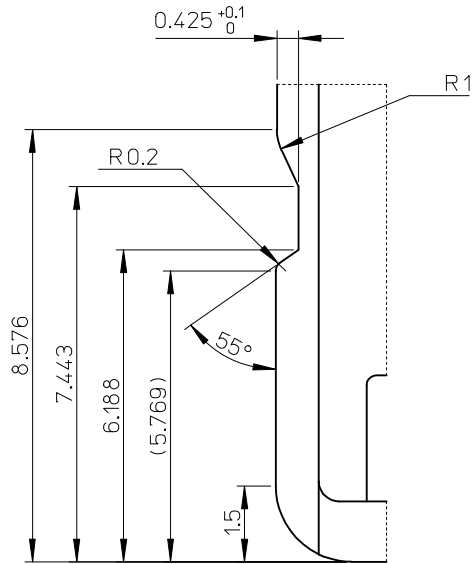


INSULATION PLATING AREA MAX. 0.02mm
 APPLY TO THE POINT OF CONTACT WITH CARD.
 APPLICABLE MIM TRAY
 (REFERENCE ONLY)
 TOLERANCE : ±0.05
 COPPLANALITY 0.05MAX
 SURFACE ROUGHNESS : Ra=1μm MAX.

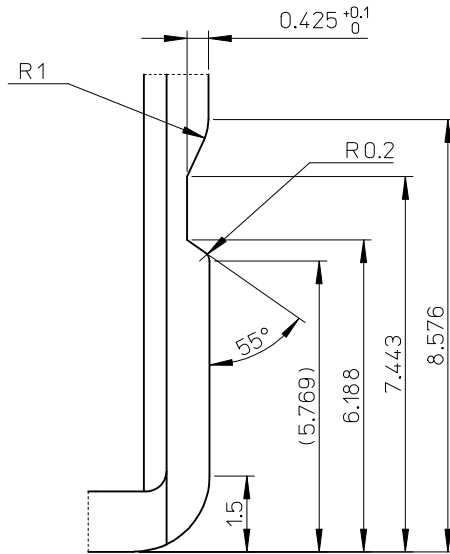
[*1]CUSTOMER CAN DECIDE THIS DIMENSION.
 [*2]INSULATION PLATING IS CONTAINED.



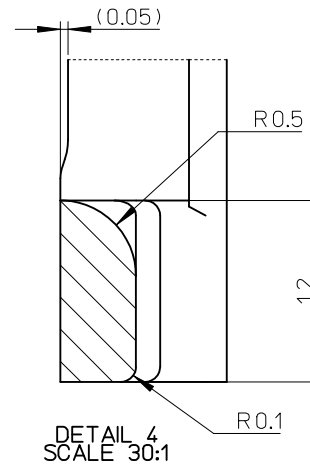
SEE SHEET 1 EC NO: J2016-0468 DRWN: YNAITO 2015/05/27 CHKD: TKUSUHARA01 2015/11/05 APPR: NUKITA 2015/11/05	GENERAL TOLERANCES (UNLESS SPECIFIED)		DIMENSION STYLE MM ONLY		SCALE 5:1	DESIGN UNITS METRIC	THIRD ANGLE PROJECTION	
	0.25 UNDER ±0.03 0.25 OVER 0.5 UNDER ±0.05 0.5 OVER 1.0 UNDER ±0.1 1.0 OVER 10 UNDER ±0.2 10 OVER 30 UNDER ±0.25 30 OVER ±0.3 ANGULAR ±1 °	DRAWN BY MHAYASHI DATE 2014/11/26	CHECKED BY TKUSUHARA DATE 2014/11/26	APPROVED BY NUKITA DATE 2014/12/09	TITLE MICRO SIM CONN. BAR-PUSH TYPE DUAL HOOK ASSY ANTI-BUCKLING			
D REV	DRAFT WHERE APPLICABLE MUST REMAIN WITHIN DIMENSIONS		SIZE A3	THIS DRAWING CONTAINS INFORMATION THAT IS PROPRIETARY TO MOLEX INCORPORATED AND SHOULD NOT BE USED WITHOUT WRITTEN PERMISSION				MATERIAL NO. SEE SHEET 1
			DOCUMENT NO. SD-505020-003		SHEET NO. 3 OF 4			



DETAIL 2
SCALE 10:1

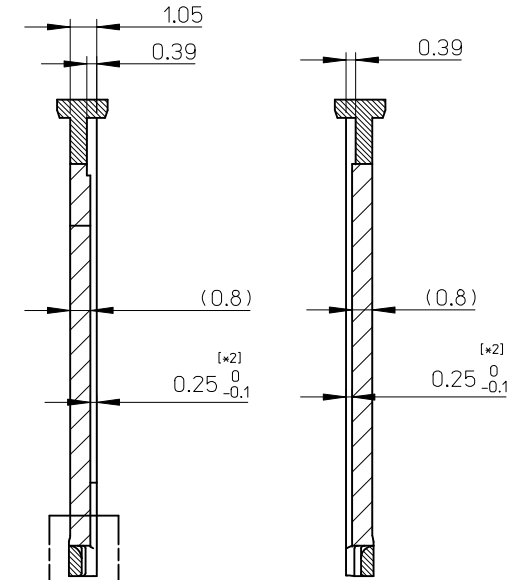


DETAIL 3
SCALE 10:1



DETAIL 4
SCALE 30:1

INSULATION PLATING AREA MAX. 0.02mm
APPLY TO THE POINT OF CONTACT WITH CARD.

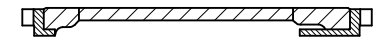


SECTION A-A

SECTION B-B



SECTION C-C



SECTION D-D

Molex shall not be responsible for any infringement to the extent such infringement is the result of (a) use of the Product(s) in combination with any other products not provided by Molex if the infringement would not have occurred but for such combination, (b) any alteration or modification of the Product(s) not undertaken or authorized by Molex if the infringement would not have occurred but for such alteration or modification, (c) Molex's compliance with Buyer's specifications if the infringement would not have occurred but for such compliance, or (d) Buyer's failure to comply with Molex's instructions regarded as necessary to render the Product(s) non-infringing if the infringement would not have occurred if Buyer would have complied with Molex's instructions.

SEE SHEET 1 EC NO: J2016-0468 DRWN: YMAITO 2015/05/27 CHKD: TKUSUHARA01 2015/11/05 APPR: NUKITA 2015/11/05	GENERAL TOLERANCES (UNLESS SPECIFIED)		DIMENSION STYLE MM ONLY		SCALE 5:1	DESIGN UNITS METRIC	THIRD ANGLE PROJECTION
	0.25 UNDER	±0.03	DRAWN BY MHAYASHI	DATE 2014/11/26	TITLE MICRO SIM CONN. BAR-PUSH TYPE DUAL HOOK ASSY ANTI-BUCKLING		
	0.25 OVER 0.5 UNDER	±0.05	CHECKED BY TKUSUHARA	DATE 2014/11/26			
	0.5 OVER 1.0 UNDER	±0.1	APPROVED BY NUKITA	DATE 2014/12/09			
	1.0 OVER 10 UNDER	±0.2	MATERIAL NO.	DOCUMENT NO.	SHEET NO.		
10 OVER 30 UNDER	±0.25	SEE SHEET 1		SD-505020-003		4 OF 4	
30 OVER	±0.3	THIS DRAWING CONTAINS INFORMATION THAT IS PROPRIETARY TO MOLEX INCORPORATED AND SHOULD NOT BE USED WITHOUT WRITTEN PERMISSION					
ANGULAR ±1 °		DRAFT WHERE APPLICABLE MUST REMAIN WITHIN DIMENSIONS					