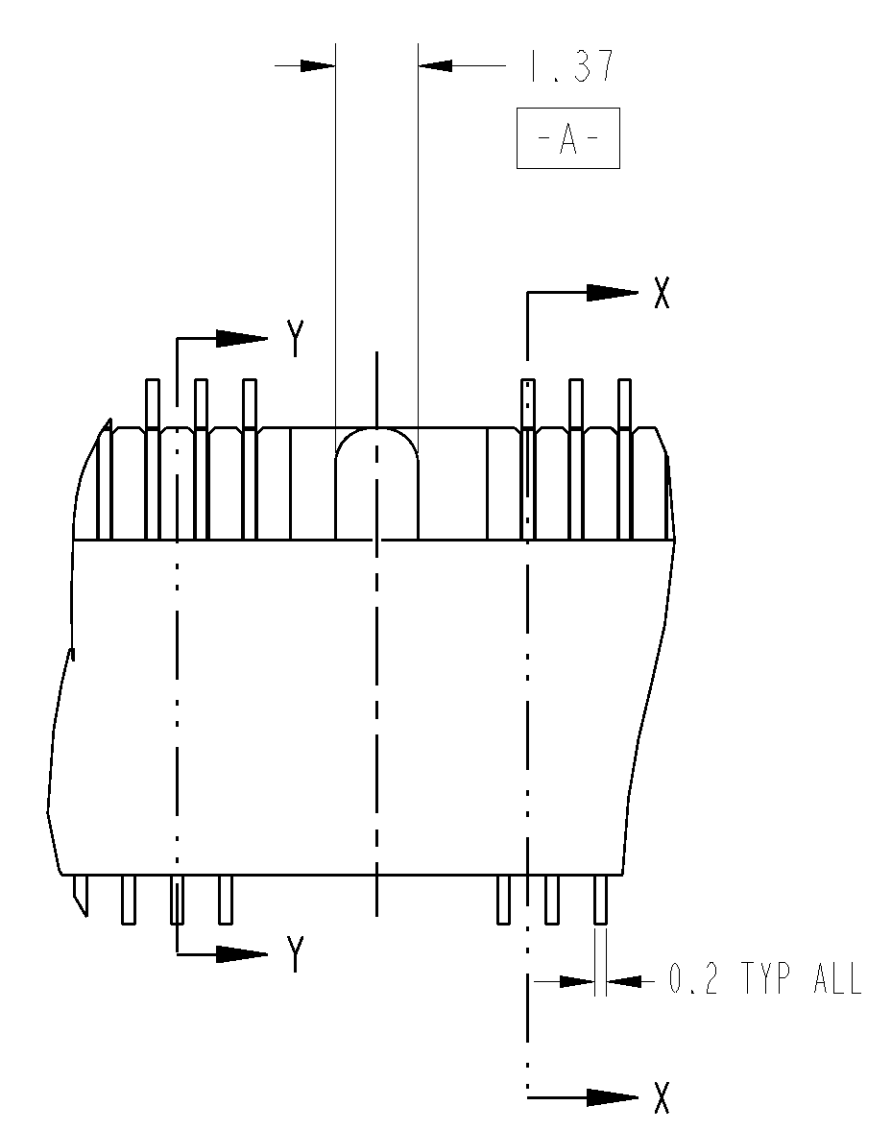
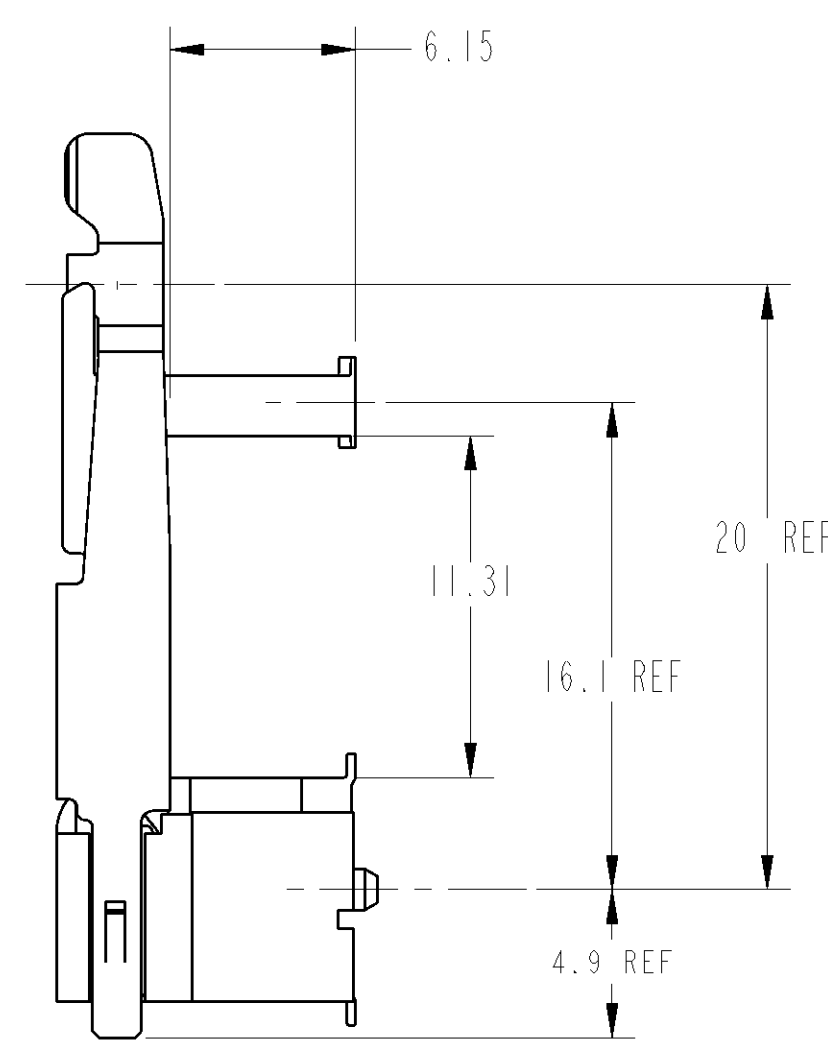
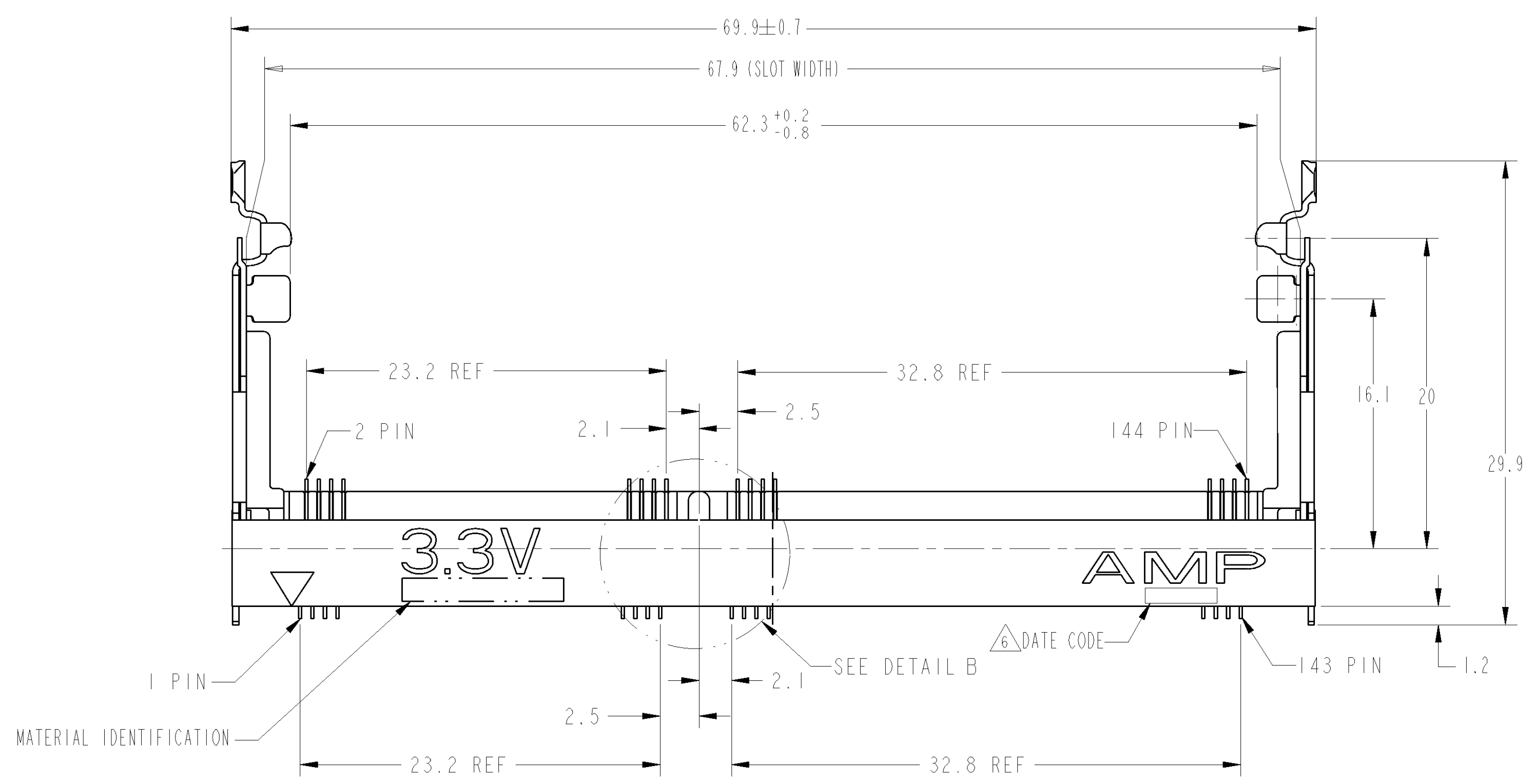
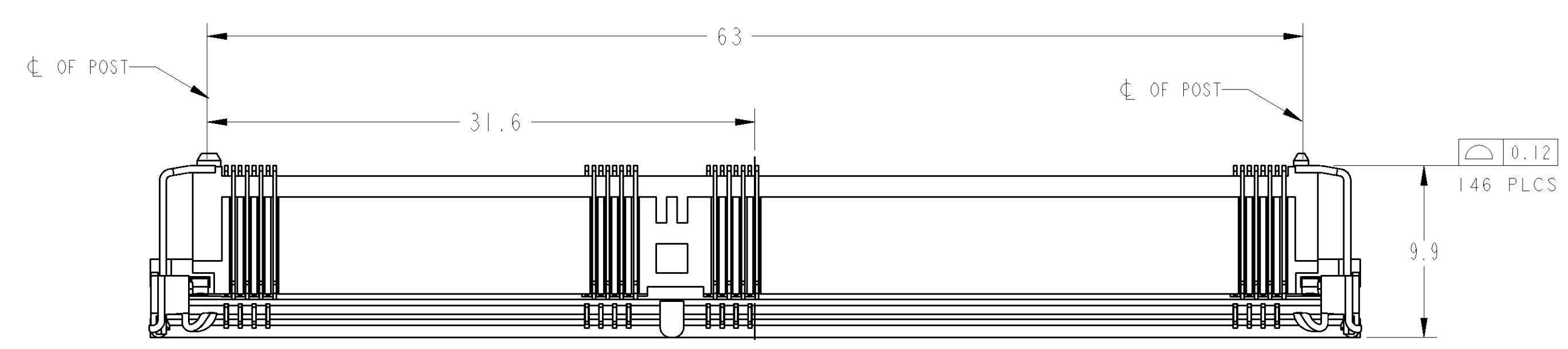
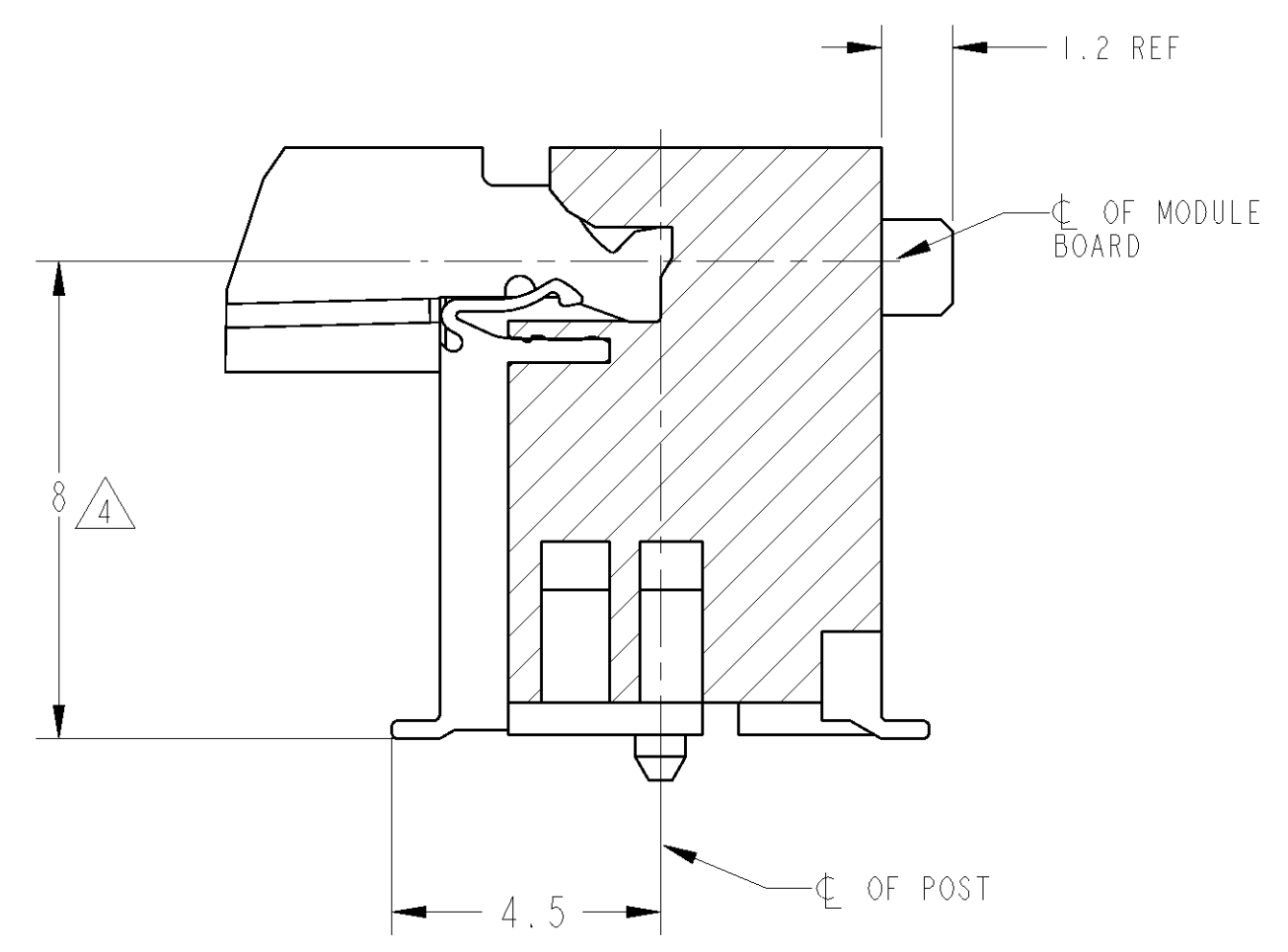


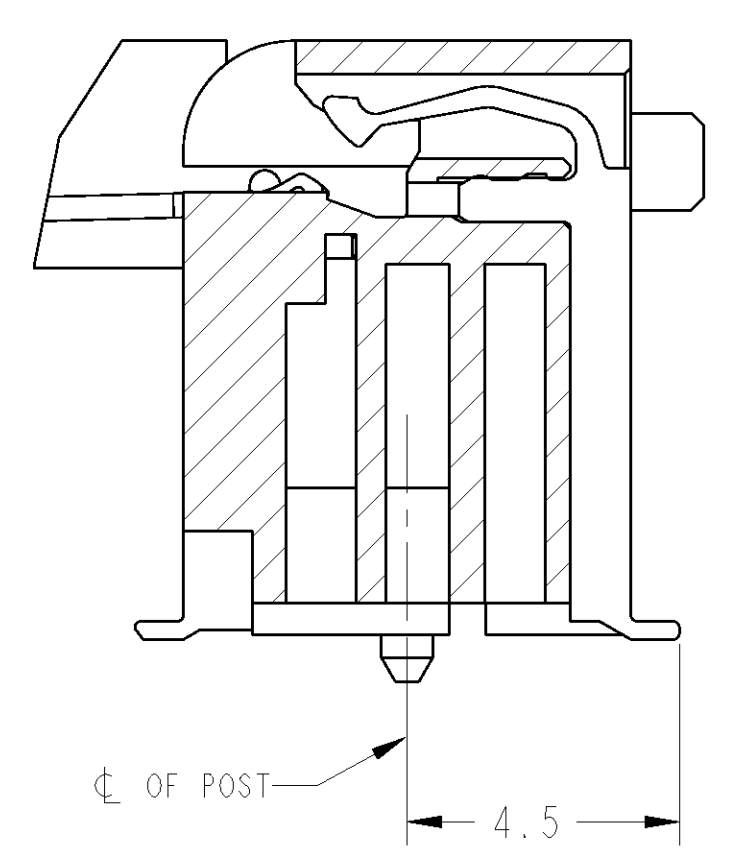
LOC	DIST	REVISONS			
F	LTR	DESCRIPTION	DATE	DWN	APFD
L1		REVISED PER ECO-11-005139	19MAR11	RK	HMR



DETAIL B
SCALE 8:1



SECTION X-X
SCALE 8:1
90° ROTATE



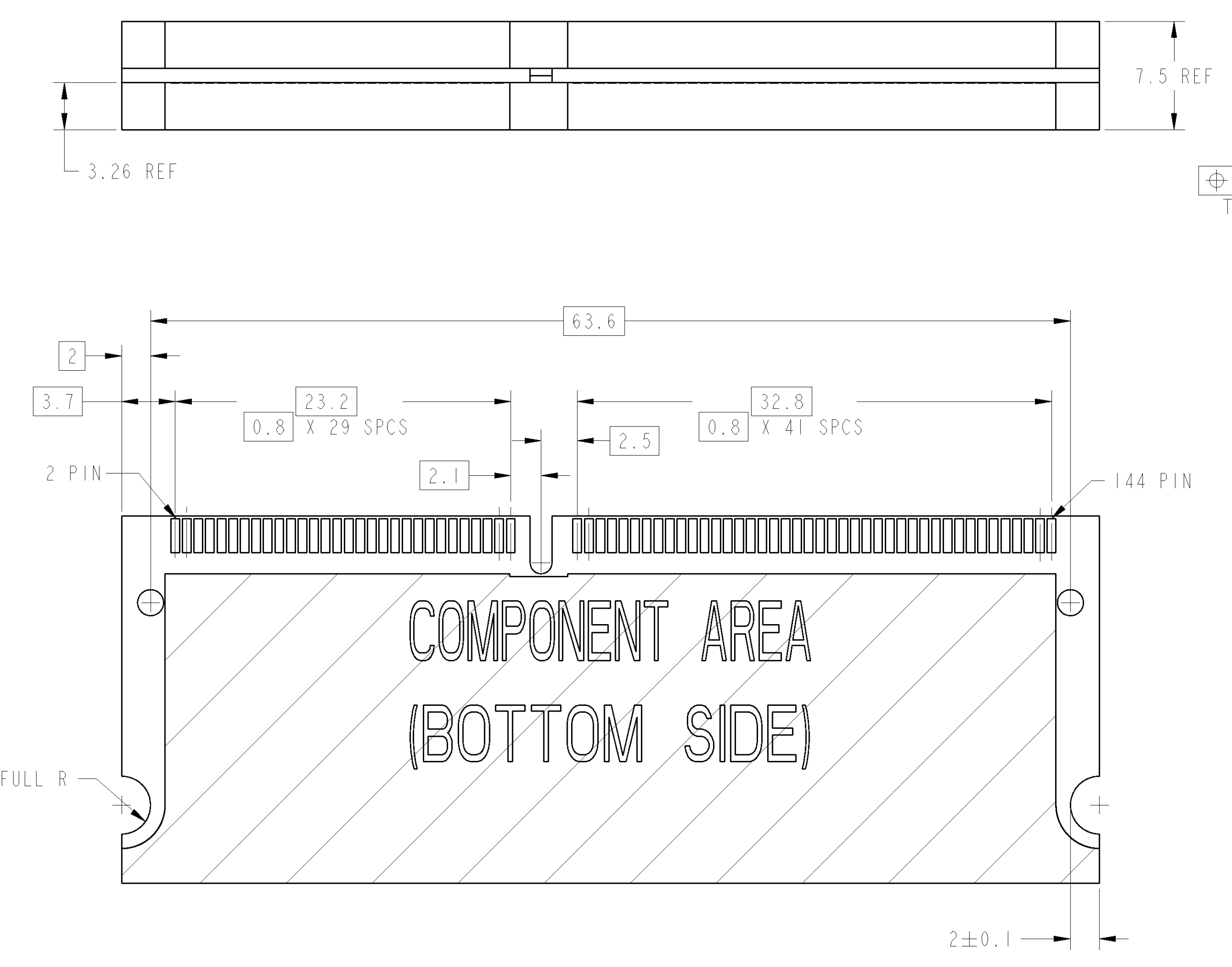
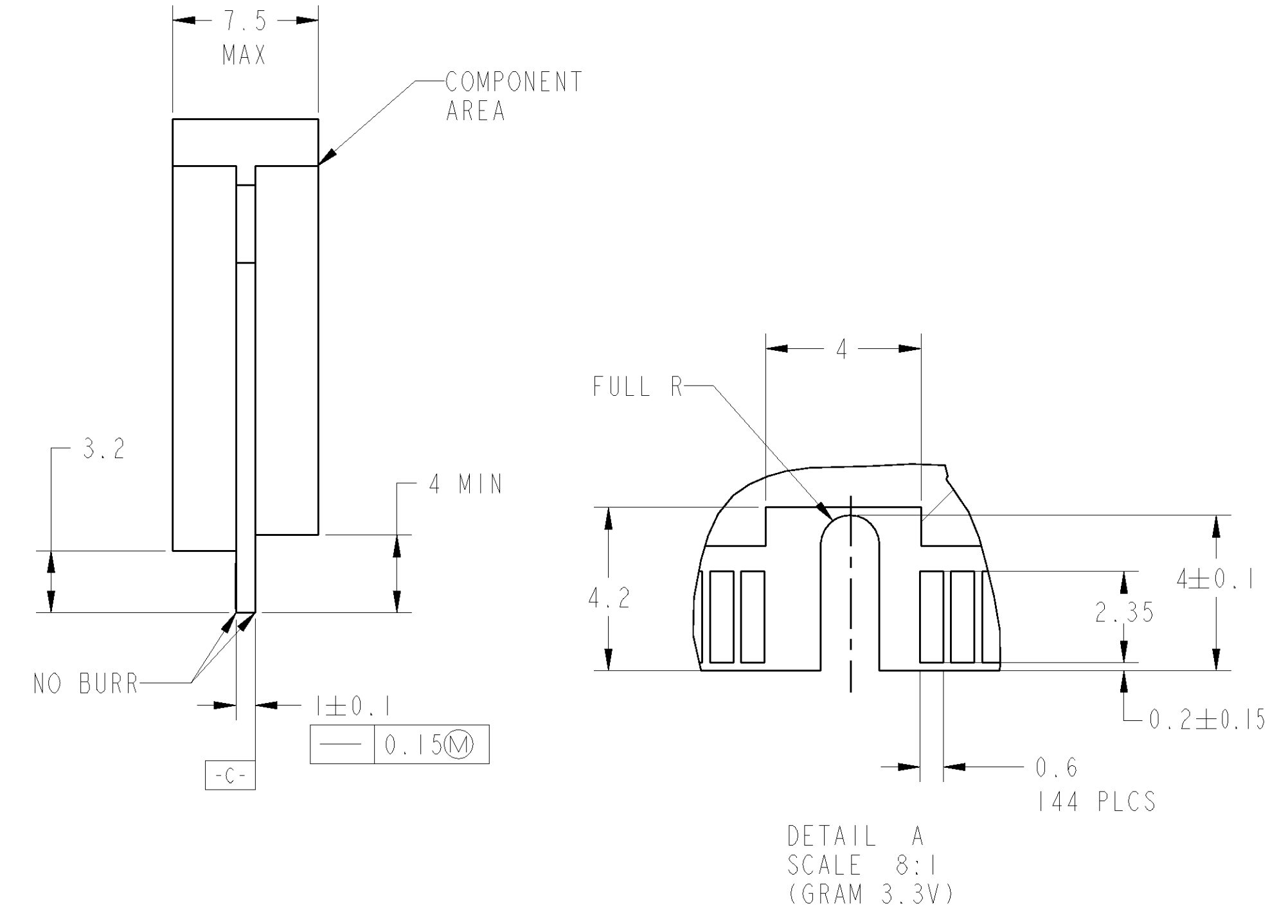
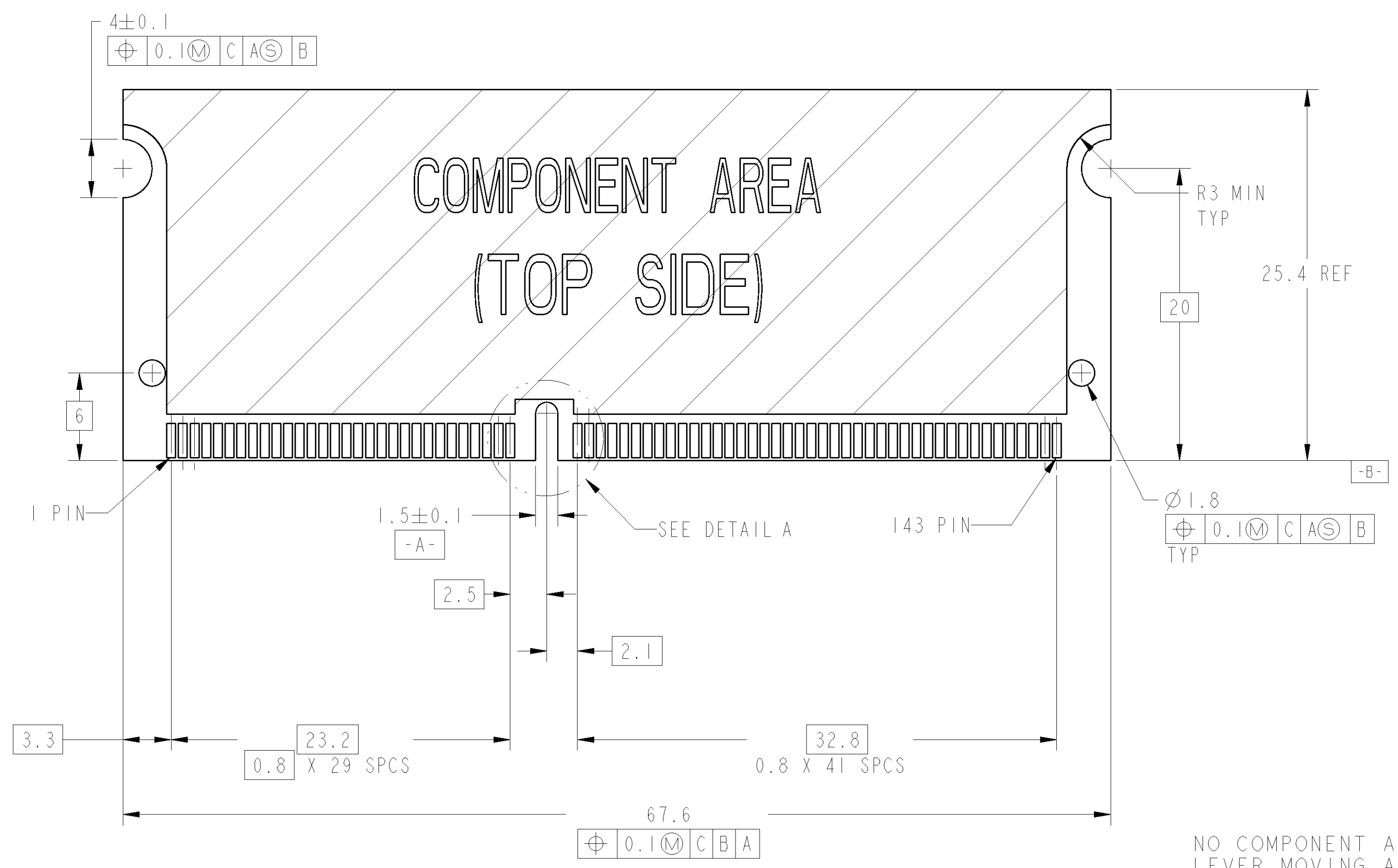
SECTION Y-Y
SCALE 8:1
90° ROTATE

- 1 MATERIAL, HOUSING, HIGH TEMP. PLASTIC, UL94V-0
CONTACT: COPPER ALLOY
LOCK LEVER: SUS301 TIN PLATING.
- 2 FINISH; CONTACT AREA: 0.00025 MIN GOLD PLT ON
0.001 MIN ALL OVER NICKEL
SOLDERING AREA: 0.00005 MIN TO 0.00030 MAX GOLD PLATE
- 3. TOLERANCES NON-ACCUMULATIVE.
- 4 DIMENSIONING TO MODULE CENTER LINE.
- 5 PART PACKAGING PER EIA-IS-704 STANDARD REEL
DIAMETER SHALL BE 330mm. TAPE WIDTH SHALL
BE 88mm AND TAPE PITCH SHALL BE 36mm
- 6 DATE CODE (4-DIGITS), LOCATED AS SHOWN.
TO BE INTERPRETED AS FOLLOWS:
DIGIT # 1 - LAST DIGIT OF YEAR.
DIGITS # 2 AND # 3 - CALENDAR WEEK.
DIGIT # 4 - DAY OF THE WEEK (WITH SUNDAYS AS DAY 1).

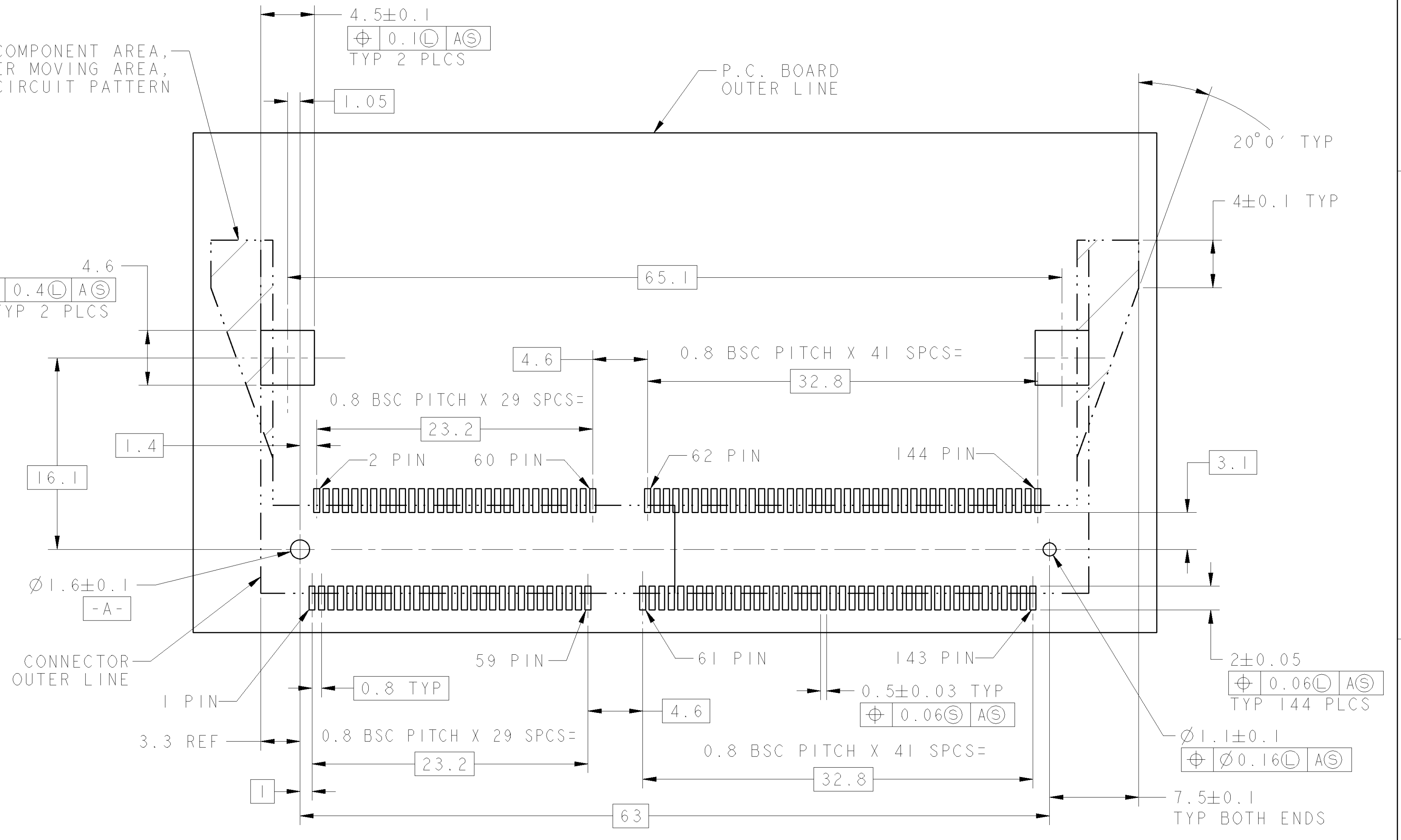
AVAILABLE	SDRAM 3.3V	144	6-390322-1	5
AVAILABLE	SDRAM 3.3V	144	390322-1	
REMARKS	POWER SUPPLY	POS	PART NUMBER	

DIMENSIONS:		TOLERANCES UNLESS OTHERWISE SPECIFIED:		DWN J. BURWELL 8NOV99		CWN K. KREIDLER 22JUL99		APFD SE LEONG		NAME S.O.DIMM SOCKET ASSY., 0.8mm PITCH	
mm	0 PLC ±	1 PLC ±0.2	2 PLC ±0.2	3 PLC ±0.2	4 PLC ±	ANGLES ±	FINISH	PRODUCT SPEC 108-1739-1	APPLICATION SPEC 114-1114	SIZE A1	CAGE CODE 00779
MATERIAL								WEIGHT		DRAWING NO C=390322	SCALE 4:1
CUSTOMER DRAWING										SHEET 1 OF 2	REV L1

LOC	DIST	REVISIONS			
F	LTR	DESCRIPTION	DATE	DRW	APPD
-	-	SEE SHEET 1	-	-	-



NO COMPONENT AREA, LEVER MOVING AREA, ACCEPT CIRCUIT PATTERN



DIMENSIONS: mm		TOLERANCES UNLESS OTHERWISE SPECIFIED:		DRN: J. BURWELL 01FEB01	CHK: K. KREIDLER 23JUL99	TE Connectivity NAME: S.O.DIMM SOCKET ASSY., 0.8mm PITCH PRODUCT SPEC: 108-1739-1 APPLICATION SPEC: 114-1114
0 PLCS	±	1 PLCS	±0.2	APD: SE LEONG	SIZE: A1	
2 PLCS	±0.2	3 PLCS	±0.2	MATERIAL: -	FINISH: -	WEIGHT: - CUSTOMER DRAWING: -
4 PLCS	±	ANGLES	±	SCALE: 4:1		SHEET 2 OF 2 REV L1