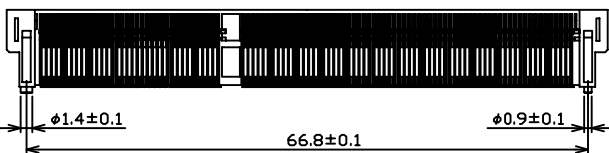
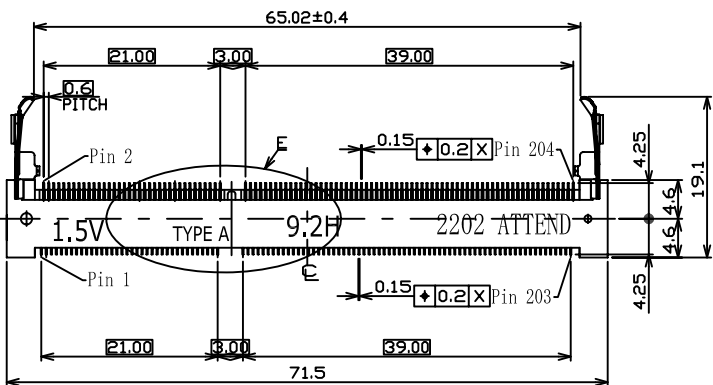
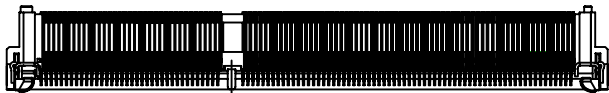
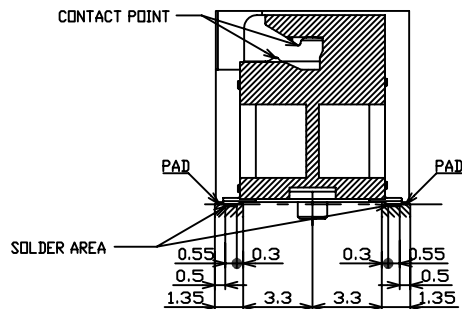
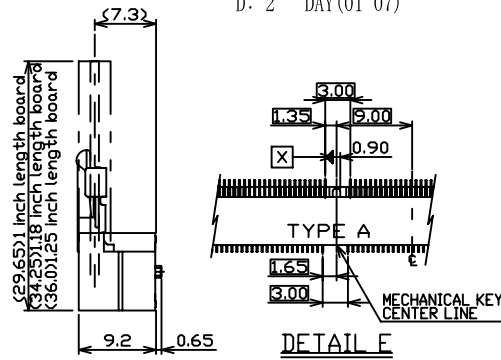


1	2	3	4	5	6	7	8	9	10
SWITCH CIRCUIT			MATERIAL AND FINISH AS BELOW						
WHEN CARD IS EJECTED		WHEN CARD IS INSERTED		A	Housing	LCP UL94V-0 Black	E		
				B	Contact	Phosphor Bronze C5210, Contact Area: Gold Flash	F		
				C	Latch	Stainless Steel SUS301	G		
				D			H		



NOTES:  
DATE CODE 2202 (YWWD)  
Y: 2 YEAR(2012)  
WW:20 WEEK(01~52)  
D: 2 DAY(01~07)



**SPECIFICATION:**

- 1. ELECTRICAL**  
**1.1 Current Rating: 0.5A per pin**  
**1.2 Voltage Rating: 25V AC/DC**  
**1.3 Contact Resistance: 60mΩ**  
**1.4 Insulation Resistance: 500MΩ**  
**1.5 Dielectric Withstanding Voltage: 125VAC**

- 2. MECHANICAL**  
**2.1 Durability: 25 Cycle**  
**2.2 Latch Retention Force: 8 N/Pos. Min**

- 3. ENVIRONMENTAL**  
**3.1 Operating temperature range: -40°C~+85°C**  
**3.2 Storage temperature range: -40°C~+85°C**

- 4. SOLDER ABILITY**  
**4.1 Recommended IR Reflow Temperature: 255°C 10Sec**

P1	P2	P3	P4	P5	P6	P7	P8	P9	P10	P11	P12
PIN ASSIGNMENT											
122A-92A00			SO DIMM DDR3 Socket 1.5V 204Pin Type 9.2H, Contact Area: Gold Flash								
PRODUCT NO.			DESCRIPTION								

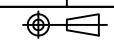
UNLESS OTHERWISE SPECIFIED TOLERANCE		
ANGLES	ANG.	±5°
LINEAR	0.	±0.3
	0.0	±0.25
	0.00	±0.20
SCALE	AS SHOWN	UNIT: mm
DRAWN	Willis	2012/12/05
CHECKED	Angel	2012/12/05
APPROVED	Ken	2012/12/05



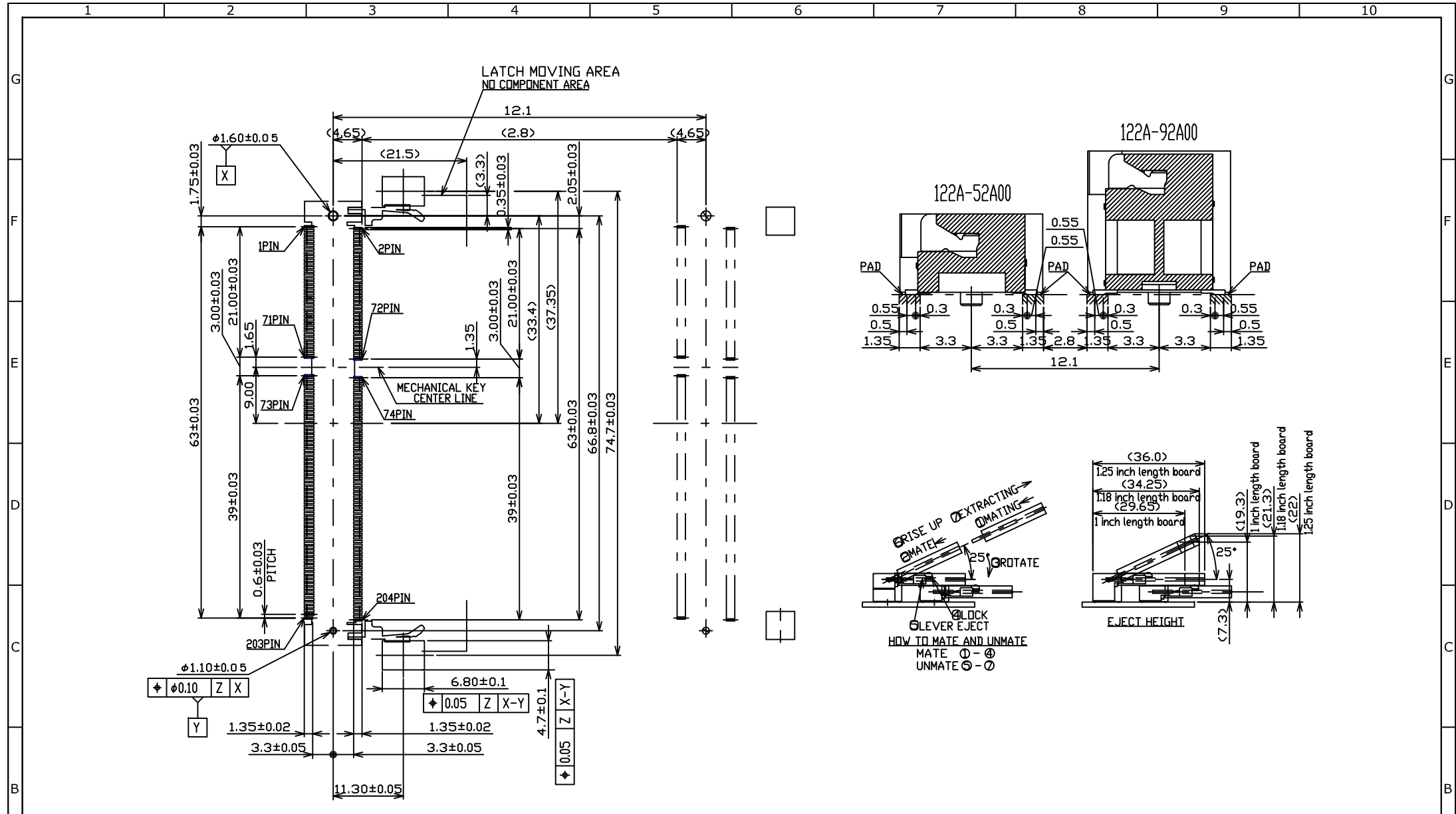
www.attend.com.tw  
DRAWN NAME:  
SO DIMM DDR3 Socket 1.5V 204Pin 9.2H Type  
PRODUCT NO. 122A-92A00  
FILE NAME 122A-92A00\_B\_1

REV.	DESCRIPTION	DATE	REV.	DESCRIPTION	DATE
1			4		
2			5		
3			6		
7			8		
9			10		

- △ Revise:
- △ Revise:
- △ Revise:



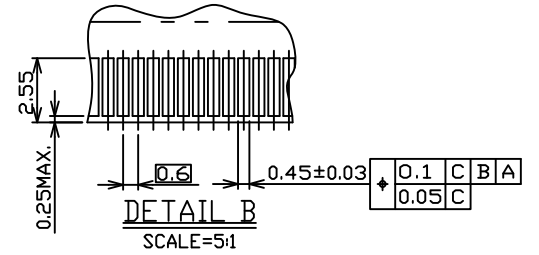
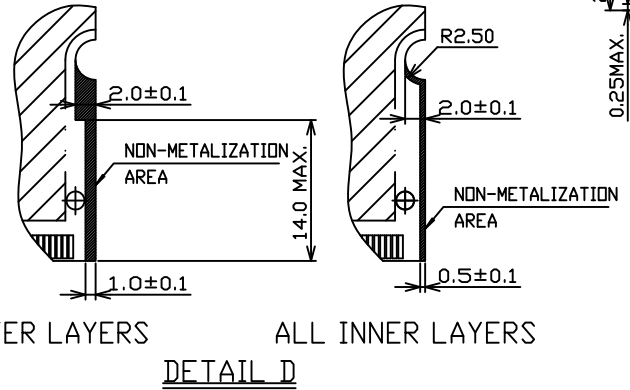
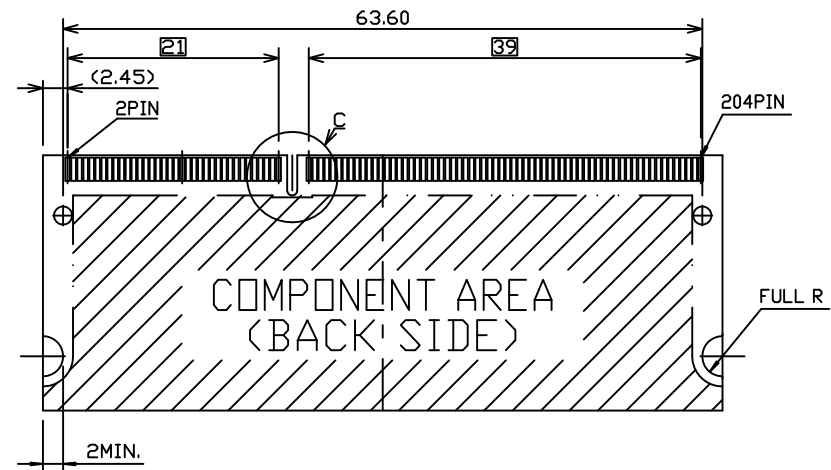
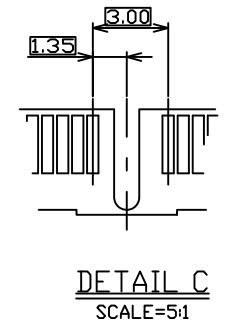
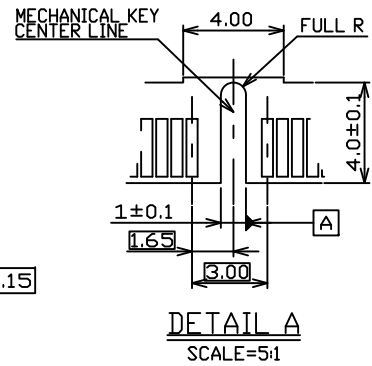
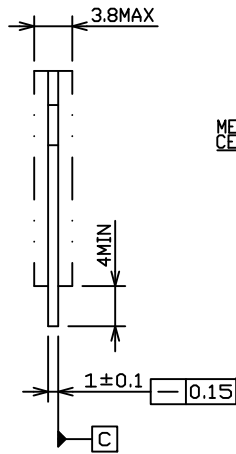
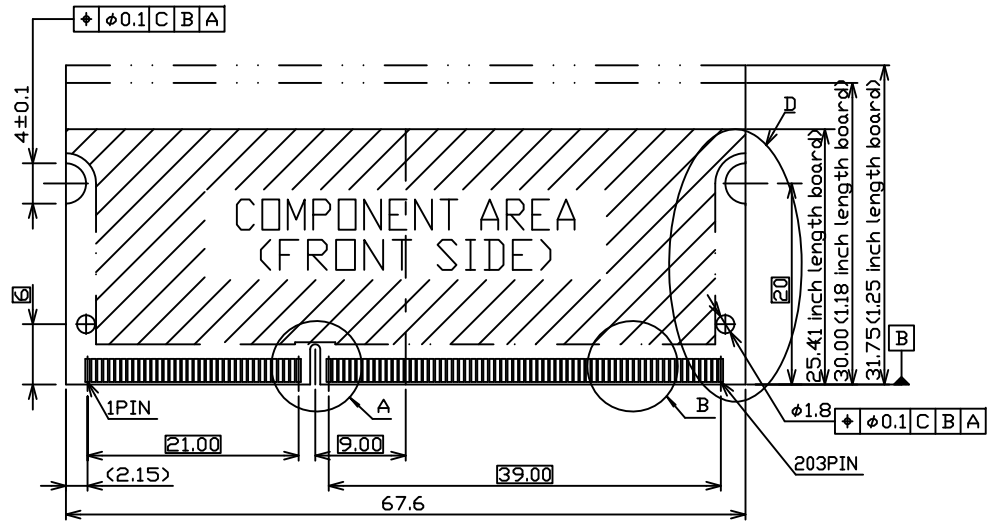
SIZE A4 REV. 1.0



REV.	DESCRIPTION	DATE	REV.	DESCRIPTION	DATE
1			4		
2			5		
3			6		
			7		
			8		
			9		
			10		

UNLESS OTHERWISE SPECIFIED TOLERANCE		
ANGLES	ANG. $\pm 5^\circ$	
LINEAR	0. $\pm 0.3$ 0.0 $\pm 0.25$ 0.00 $\pm 0.20$	
SCALE	AS SHOWN	UNIT: mm
DRAWN	Willis	2012/12/05
CHECKED	Angel	2012/12/05
APPROVED	Ken	2012/12/05
DRAWN NAME:		www.attend.com.tw
SO DIMM DDR3 Socket 1.5V 204Pin 9.2H Type		
PRODUCT NO.	122A-92A00	
FILE NAME	122A-92A00_B_1	

△	Revise:				
△	Revise:				
△	Revise:				



RECOMMENDED MATING  
P.C. BOARD DIM.

UNLESS OTHERWISE SPECIFIED TOLERANCE		
ANGLES	ANG.	±5°
LINEAR	0.	±0.3
	0.0	±0.25
	0.00	±0.20
SCALE	AS SHOWN	UNIT: mm
DRAWN	Willis	2012/12/05
CHECKED	Angel	2012/12/05
APPROVED	Ken	2012/12/05

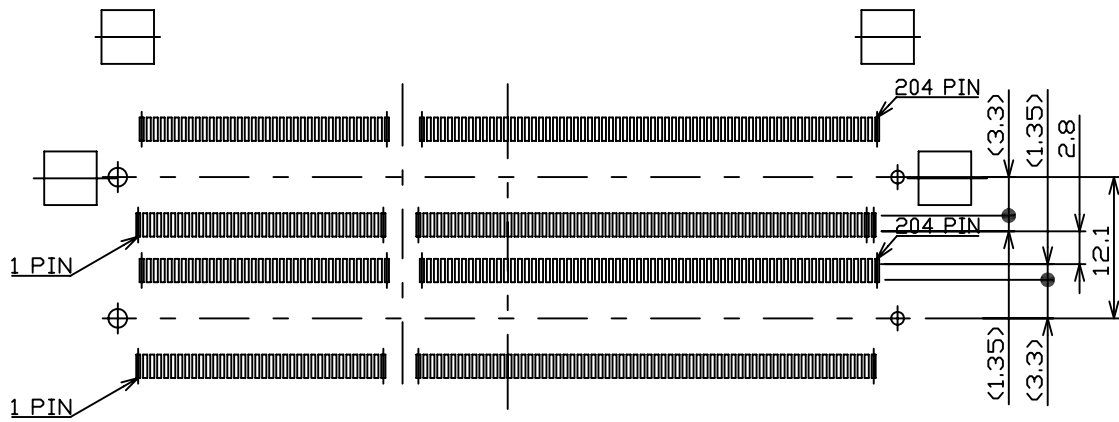


www.attend.com.tw

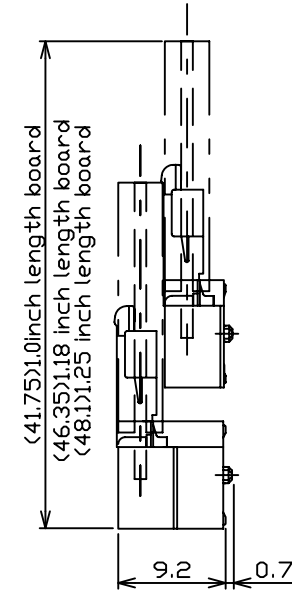
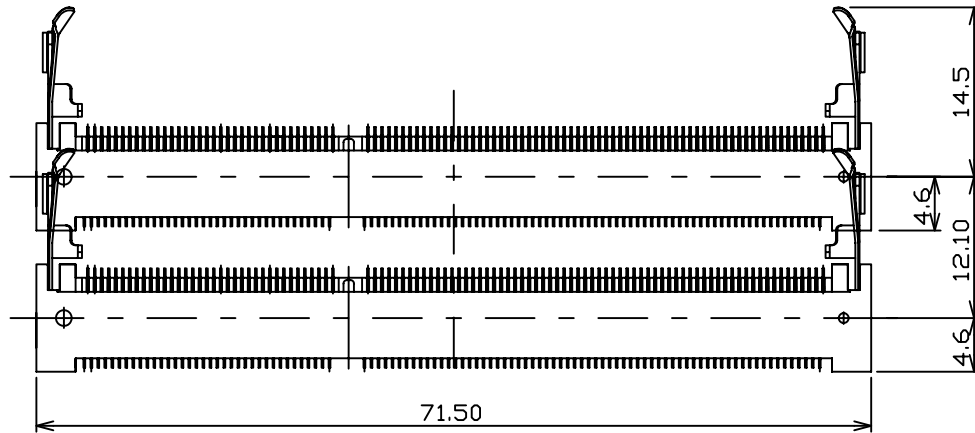
REV.	DESCRIPTION	DATE	REV.	DESCRIPTION	DATE
1			2		
3			4		

DRAWN NAME:		SO DIMM DDR3 Socket 1.5V 204Pin 9.2H Type	
PRODUCT NO.	122A-92A00	FILE NAME	122A-92A00_B_1

SIZE A4 REV. 1.0



RECOMMENDED MOUNTING  
P.C. BOARD PATTERN LAYOUT DIM.



Combination Dimension for H=5.2 connector

(Only the combination of the P/N 122A-52A00 (H=5.2) and 122A-92A00 (H=9.2) is possible.)

UNLESS OTHERWISE SPECIFIED TOLERANCE		
ANGLES	ANG.	±5°
LINEAR	0.	±0.3
	0.0	±0.25
	0.00	±0.20
SCALE	AS SHOWN	UNIT: mm
DRAWN	Willis	2012/12/05
CHECKED	Angel	2012/12/05
APPROVED	Ken	2012/12/05

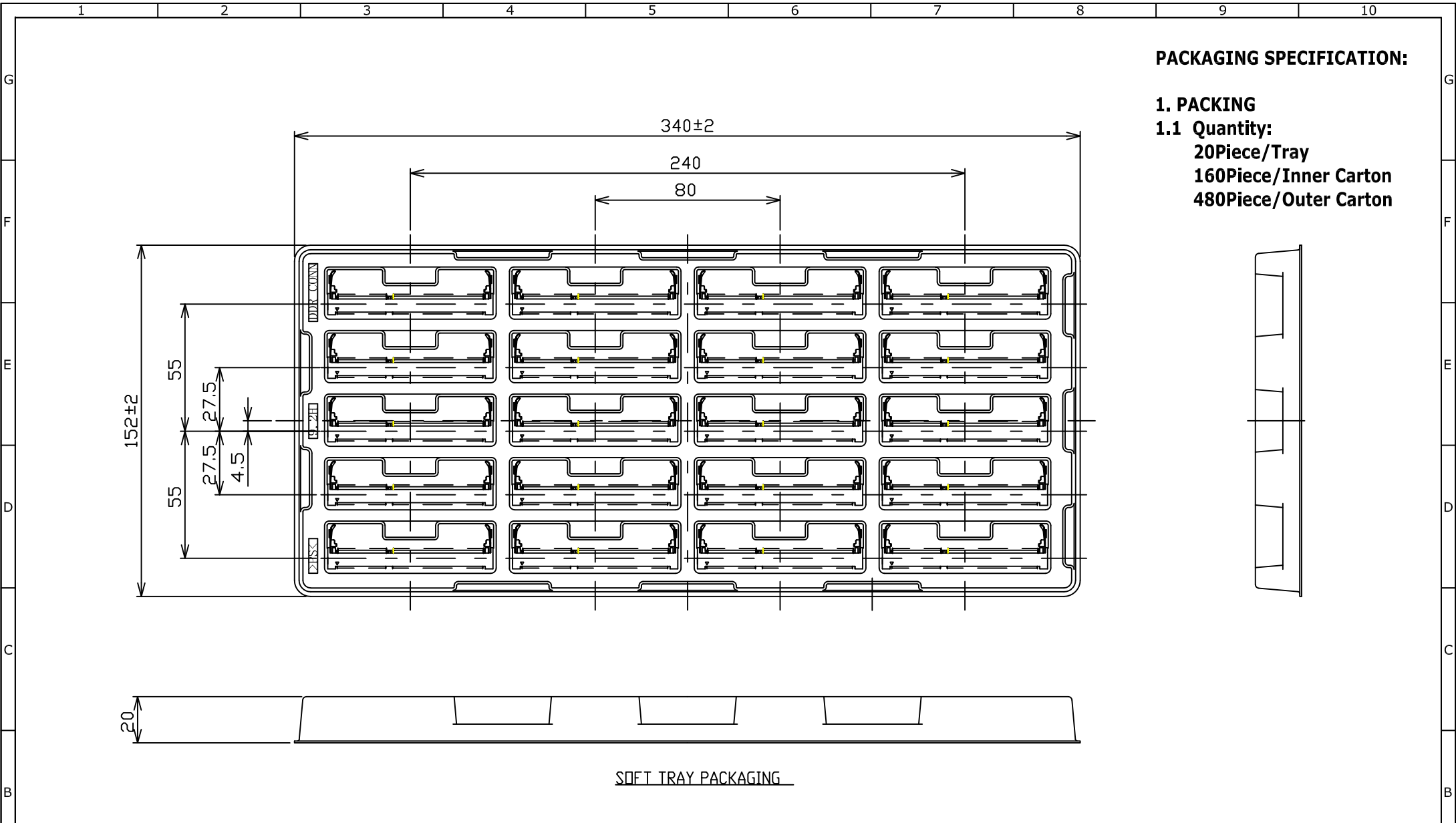


www.attend.com.tw

REV.	DESCRIPTION	DATE	REV.	DESCRIPTION	DATE

DRAWN NAME:		SO DIMM DDR3 Socket 1.5V 204Pin 9.2H Type	
PRODUCT NO.	122A-92A00		
FILE NAME	122A-92A00_B_1		

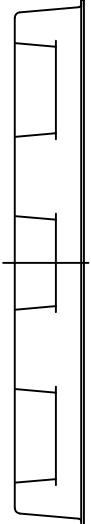
SIZE	A4	REV.	1.0
------	----	------	-----



**PACKAGING SPECIFICATION:**

- 1. PACKING**
- 1.1 Quantity:**

  - 20Piece/Tray**
  - 160Piece/Inner Carton**
  - 480Piece/Outer Carton**



SOFT TRAY PACKAGING

						UNLESS OTHERWISE SPECIFIED TOLERANCE			 www.attend.com.tw	
						ANGLES	ANG.	±5°		
						LINEAR	0.	±0.3		
							0.00	±0.25		
						SCALE	AS SHOWN	UNIT: mm	DRAWN NAME: SO DIMM DDR3 Socket 1.5V 204Pin 9.2H Type	
						DRAWN	Willis	2012/12/05	PRODUCT NO. 122A-92A00	
						CHECKED	Angel	2012/12/05	FILE NAME 122A-92A00_D_1	
						APPROVED	Ken	2012/12/05		
REV.	DESCRIPTION	DATE	REV.	DESCRIPTION	DATE	 SIZE A4		REV. 1.0		
1			4							

△ Revise:

△ Revise:

△ Revise:

△

△

△