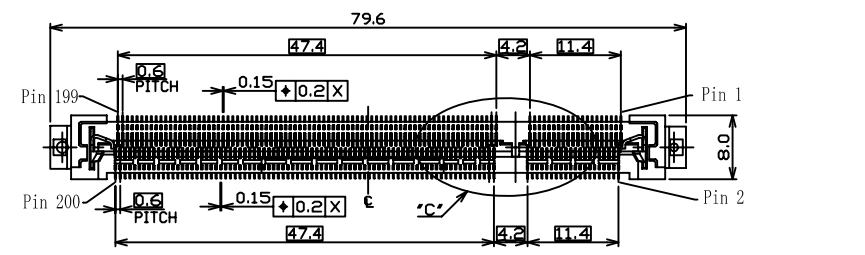


SWITCH CIRCUIT

MATERIAL AND FINISH AS BELOW

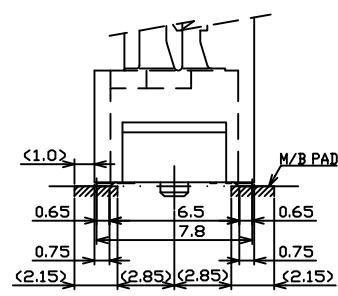
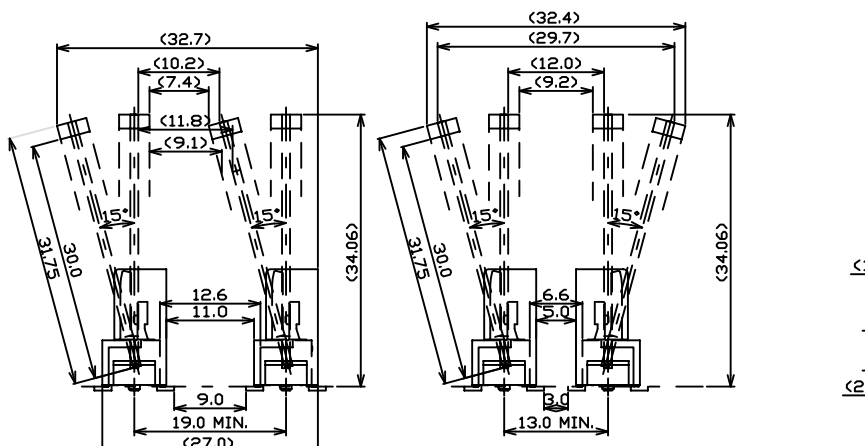
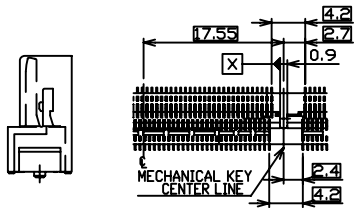
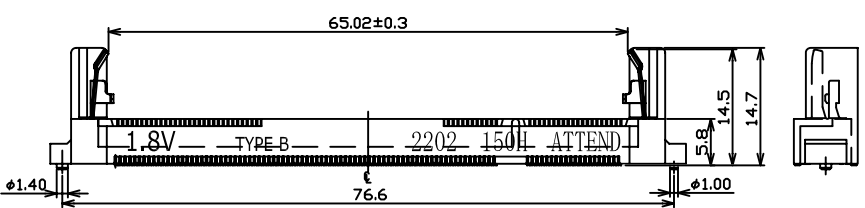
WHEN CARD IS EJECTED	WHEN CARD IS INSERTED	A	Housing	LCP UL94V-0 Beige	E				
		B	Contact	Phosphor Bronze C5210, Contact Area: Gold Flash	F				
		C	Latch	Stainless Steel SUS301	G				
		D			H				



NOTES:
 DATE CODE 2202 (YWWDD)
 Y: 2 YEAR(2012)
 WW:20 WEEK(01~52)
 D: 2 DAY(01~07)

SPECIFICATION:

- ELECTRICAL**
 - 1.1 Current Rating: 0.5A per pin
 - 1.2 Voltage Rating: 25V AC/DC
 - 1.3 Contact Resistance: 60mΩ
 - 1.4 Insulation Resistance: 500MΩ
 - 1.5 Dielectric Withstanding Voltage: 125VAC



- MECHANICAL**
 - 2.1 Durability: 25 Cycle
 - 2.2 Latch Retention Force: 8 N/Pos. Min

- ENVIRONMENTAL**
 - 3.1 Operating temperature range: -40°C~+85°C
 - 3.2 Storage temperature range: -40°C~+85°C

- SOLDER ABILITY**
 - 4.1 Recommended IR Reflow Temperature: 255°C 10Sec

P1	P2	P3	P4	P5	P6	P7	P8	P9	P10	P11	P12
PIN ASSIGNMENT											
121B-150A10			SO DIMM DDR2 Socket 1.8V 200Pin 15.0H Vertical Reverse Type, Contact Area: Gold Flash								
PRODUCT NO.			DESCRIPTION								

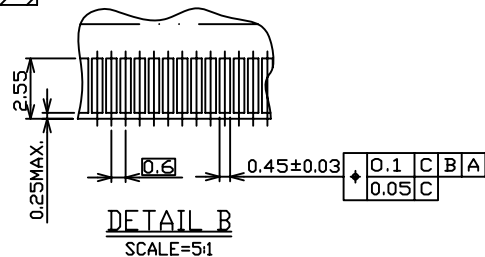
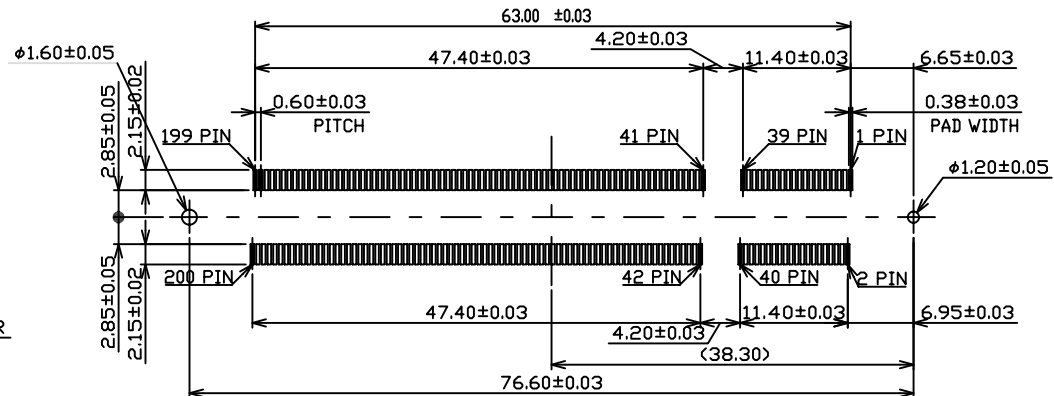
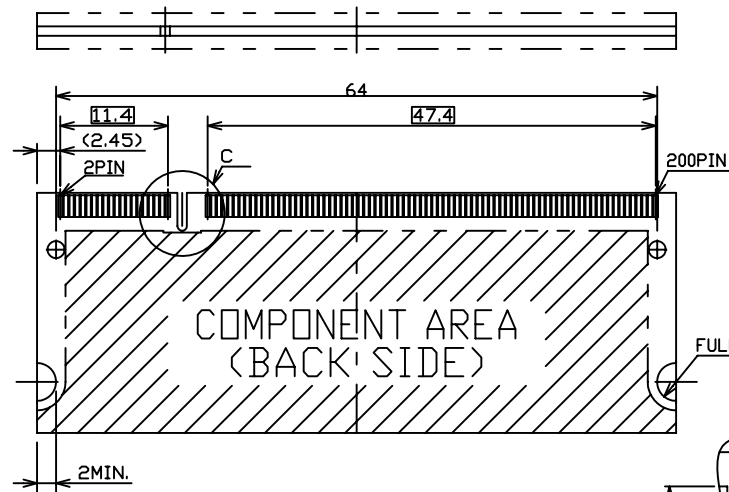
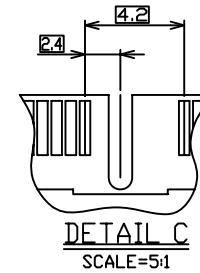
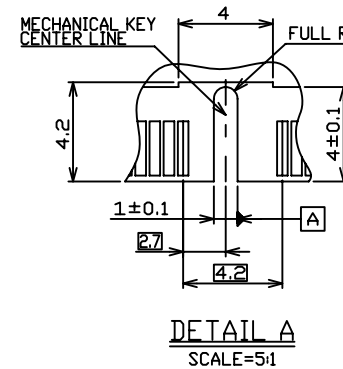
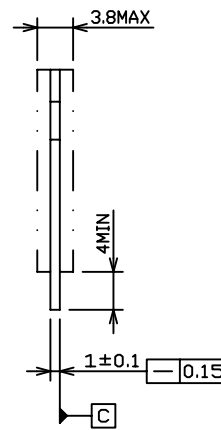
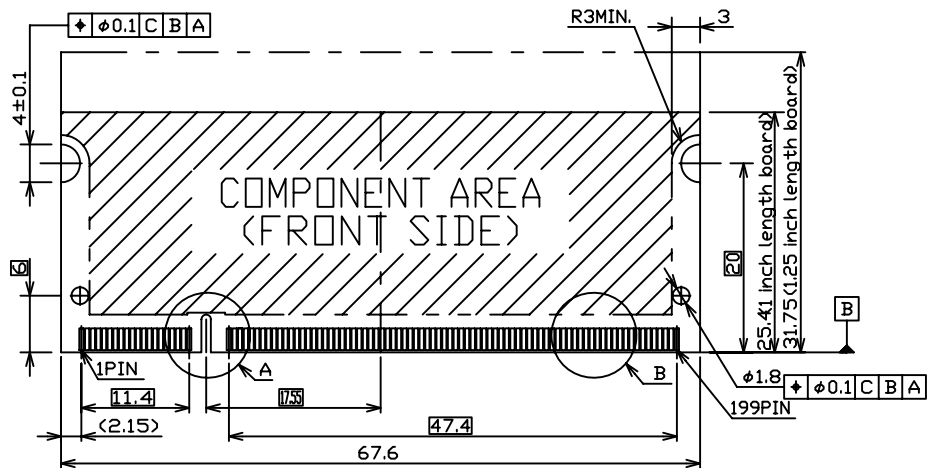
UNLESS OTHERWISE SPECIFIED TOLERANCE		
ANGLES	ANG.	±5°
LINEAR	0.	±0.3
	0.0	±0.25
	0.00	±0.20
SCALE	AS SHOWN	UNIT: mm
DRAWN	Willis	2012/12/05
CHECKED	Angel	2012/12/05
APPROVED	Ken	2012/12/05



www.attend.com.tw
 DRAWN NAME: SO DIMM DDR2 Socket
 1.8V 200Pin 15.0H Vertical Reverse Type

REV.	DESCRIPTION	DATE	REV.	DESCRIPTION	DATE
1			1		
2			2		
3			3		
4			4		
5			5		
6			6		
7			7		
8			8		
9			9		
10			10		

- △ Revise:
- △ Revise:
- △ Revise:

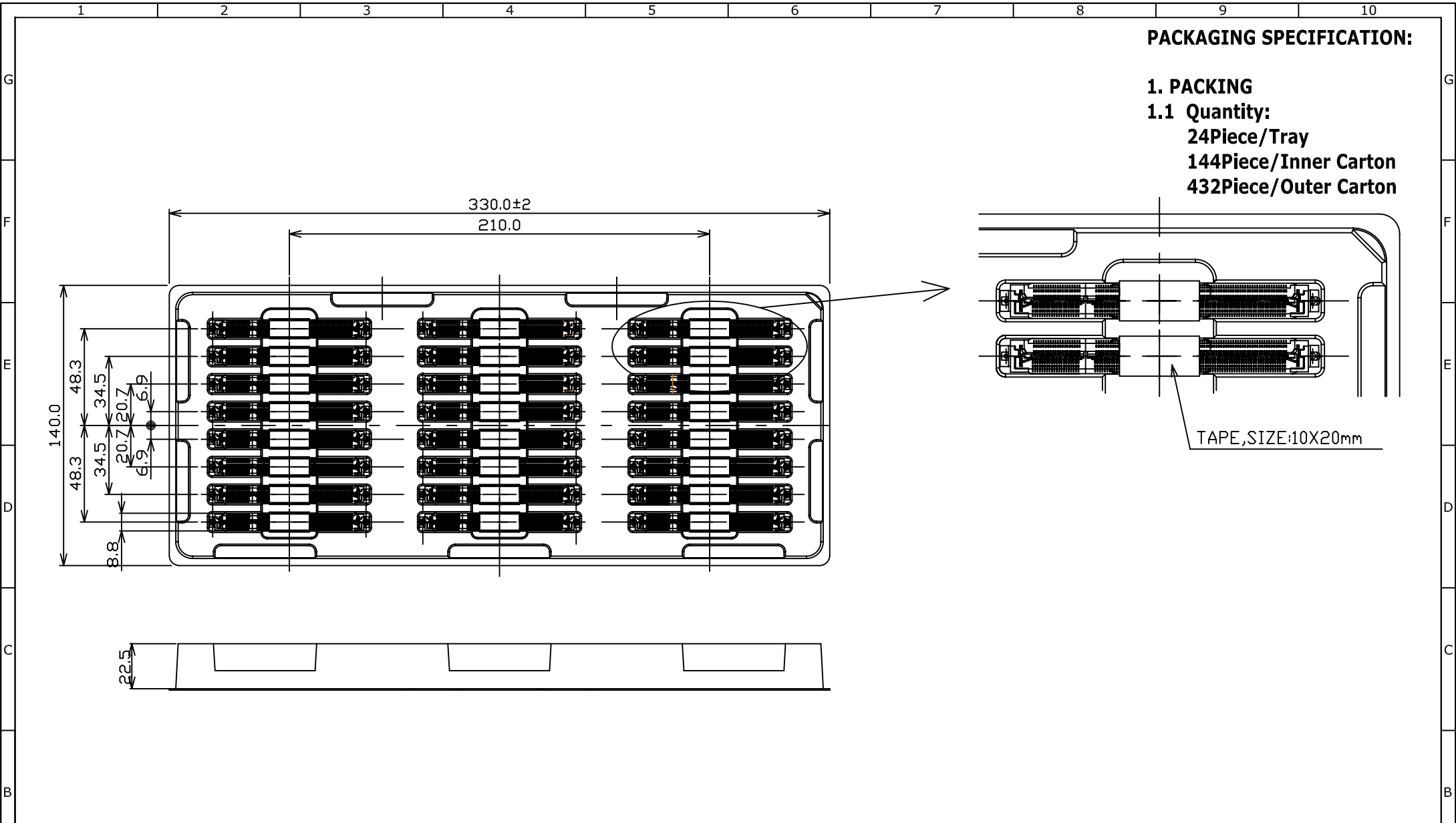


REV.	DESCRIPTION	DATE	REV.	DESCRIPTION	DATE	SIZE	REV.	FILE NAME
1			2			A4	1.0	121B-150A10_B_1
3			4					
5			6					
7			8					
9			10					

UNLESS OTHERWISE SPECIFIED TOLERANCE		
ANGLES	ANG.	±5°
LINEAR	0.	±0.3
	0.0	±0.25
	0.00	±0.20
SCALE	AS SHOWN	UNIT: mm
DRAWN	Willis	2012/12/05
CHECKED	Angel	2012/12/05
APPROVED	Ken	2012/12/05

www.attend.com.tw	
DRAWN NAME: SO DIMM DDR2 Socket	
1.8V 200PIN 15.0H Vertical Reverse Type	
PRODUCT NO.	121B-150A10

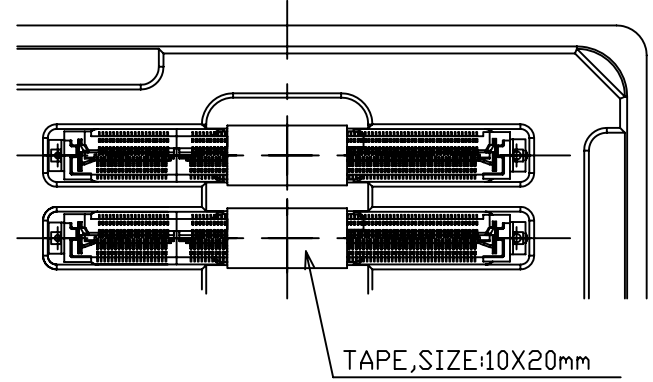




PACKAGING SPECIFICATION:

- 1. PACKING**
- 1.1 Quantity:**

 - 24 Piece/Tray**
 - 144 Piece/Inner Carton**
 - 432 Piece/Outer Carton**



REV.	DESCRIPTION	DATE	REV.	DESCRIPTION	DATE	SIZE	REV.	FILE NAME
1			4			A4	1.0	121B-150A10_D_1
2			5					
3			6					
4			7					
5			8					
6			9					
7			10					

	UNLESS OTHERWISE SPECIFIED TOLERANCE	
ANGLES	ANG.	±5°
		±0.3
LINEAR		±0.25
		±0.20
SCALE	AS SHOWN	UNIT: mm
DRAWN	Willis	2012/12/05
CHECKED	Angel	2012/12/05
APPROVED	Ken	2012/12/05
DRAWN NAME:		SO DIMM DDR2 Socket
		1.8V 200Pin 15.0H Vertical Reverse Type
PRODUCT NO.		121B-150A10
FILE NAME		121B-150A10_D_1

		www.attend.com.tw
--	--	-------------------

A

A