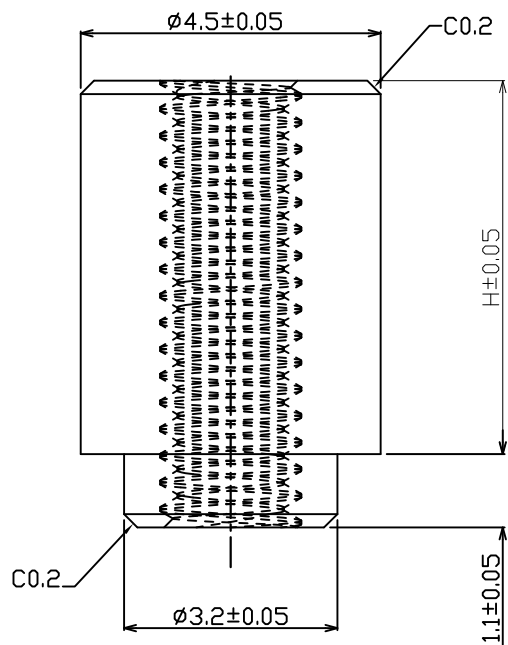
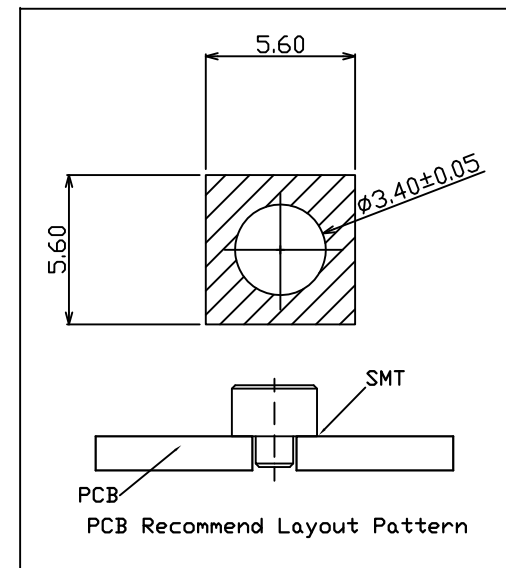


NOTE:
 1.MATERIAL: Copper Alloy
 2.Plating: Sn.



P/N	"H" ± 0.1	Mini PCI E P/N
119A-NUT-40-R02	1.6	119A-40A00-R02
119A-NUT-52-R02	2.8	119A-52A00-R02
119A-NUT-56-R02	3.2	119A-56A00-R02
119A-NUT-80-R02	5.6	119A-80A00-R02
119A-NUT-92-R02	6.8	119A-92A00-R02



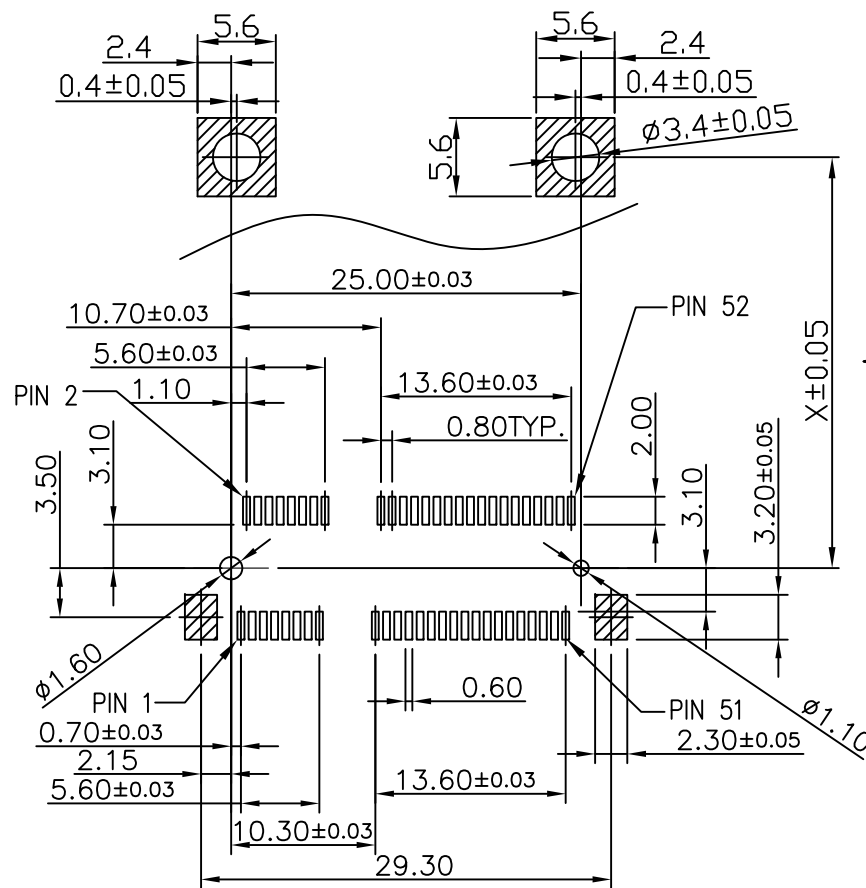
REV.	DESCRIPTION	DATE	REV.	DESCRIPTION	DATE	SIZE	REV.	FILE NAME
1			4			A4	1.0	119A-NUT-XX-R02_B_2

UNLESS OTHERWISE SPECIFIED TOLERANCE			DRAWN NAME: Mini PCI Express Stand Off	
ANGLES	ANG.	$\pm 5^\circ$	www.attend.com.tw	
LINEAR	0.	± 0.3	DRAWN	
	0.0	± 0.25	Willis	
	0.00	± 0.20	2013/01/25	
SCALE	AS SHOWN	UNIT: mm	CHECKED	
			Angel	
			2013/01/25	
			APPROVED	
			Ken	
			2013/01/25	



www.attend.com.tw
 DRAWN NAME: Mini PCI Express Stand Off

PRODUCT NO. 119A-NUT-XX-R02
 FILE NAME 119A-NUT-XX-R02_B_2



Note:
 Standard Card: X=48.05mm
 (Card Length 50.95mm)

Short Card: X=23.90mm
 (Card Length 26.65mm)

Recommended P.C.Board Layout.

UNLESS OTHERWISE SPECIFIED TOLERANCE		
ANGLES	ANG.	±5°
LINEAR	0.	±0.3
	0.0	±0.25
	0.00	±0.20
SCALE	AS SHOWN	UNIT: mm
DRAWN	Willis	2013/01/25
CHECKED	Angel	2013/01/25
APPROVED	Ken	2013/01/25

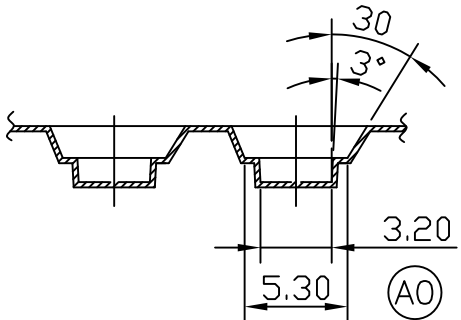
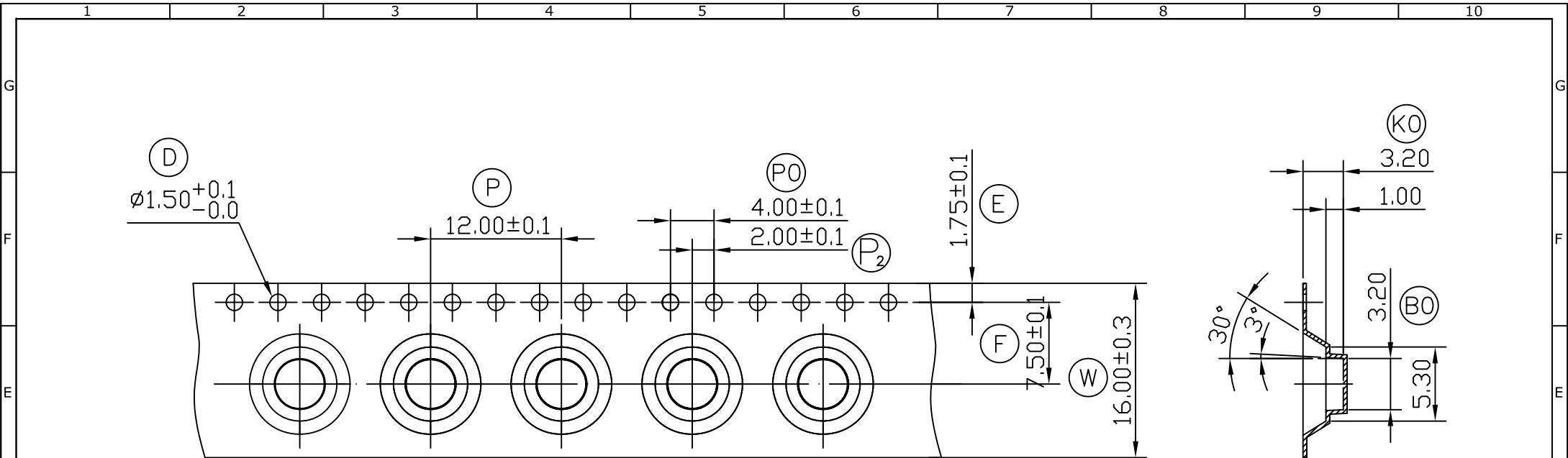


www.attend.com.tw

△	Revise:		
△	Revise:		
△	Revise:		

DRAWN NAME:		Mini PCI Express Stand Off	
PRODUCT NO.	119A-NUT-XX-R02	FILE NAME	119A-NUT-XX-R02_B_2

REV.	DESCRIPTION	DATE	REV.	DESCRIPTION	DATE	SIZE	REV.	FILE NAME
1						A4	1.0	



1. Material: PS Black-Thickness : 0.35 ± 0.05 mm.
2. Packing Length Per 22" Reel : 68 Meters (1:3).
3. Component Load Per 13" Reel : 1800 Pcs.

ITEM	W	A ₀	B ₀	K ₀	K ₁	P	F	E	D	D ₁	P ₀	P ₂
DIM	16.0 ^{+0.30} _{-0.30}	3.20 ^{+0.20} _{-0.10}	3.20 ^{+0.20} _{-0.10}	3.20 ^{+0.20} _{-0.10}	0.00 ^{+0.20} _{-0.10}	8.00 ^{+0.10} _{-0.10}	7.50 ^{+0.10} _{-0.10}	1.75 ^{+0.10} _{-0.10}	1.50 ^{+0.10} _{-0.00}	0.00 ^{+0.25} _{-0.00}	4.00 ^{+0.10} _{-0.10}	2.00 ^{+0.10} _{-0.10}

UNLESS OTHERWISE SPECIFIED TOLERANCE		
ANGLES	ANG.	±5°
LINEAR	0.	±0.3
	0.0	±0.25
	0.00	±0.20
SCALE	AS SHOWN	UNIT: mm
DRAWN	Willis	2012/12/10
CHECKED	Angel	2012/12/10
APPROVED	Ken	2012/12/10



ATTEND

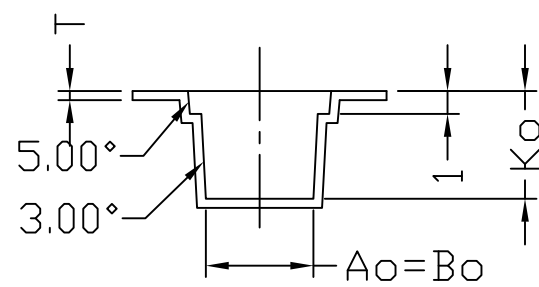
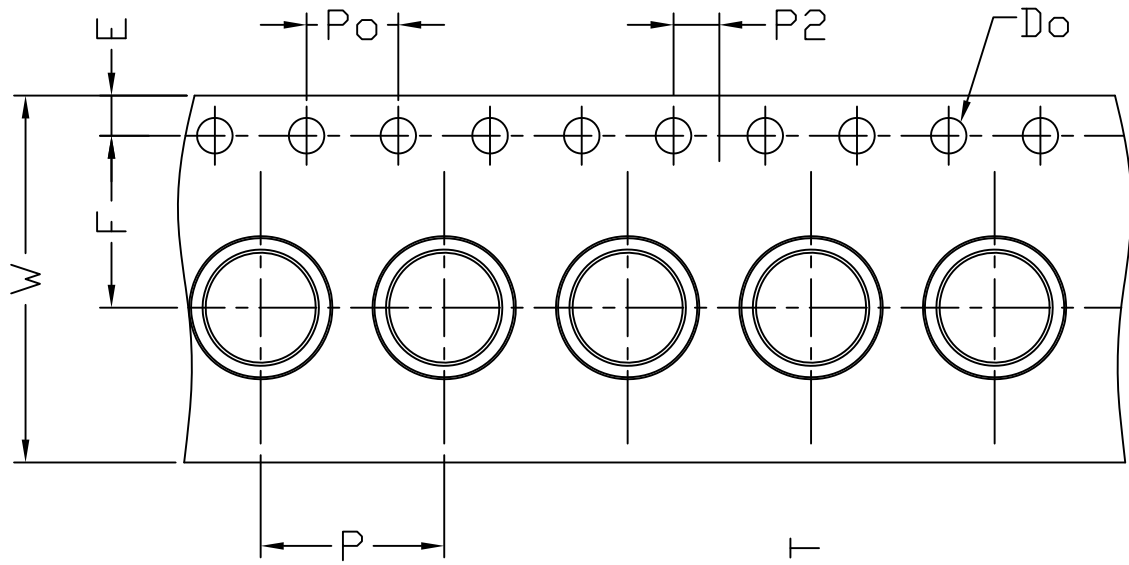
www.attend.com.tw

DRAWN NAME: Mini PCI Express Stand Off

PRODUCT NO. 119A-NUT-40-R02

△	Revise:
△	Revise:
△	Revise:

REV.	DESCRIPTION	DATE	REV.	DESCRIPTION	DATE	SIZE	REV.	FILE NAME
1			4			A4	1.0	119A-NUT-40-R02_D_2



ITEM	DIM
W	16.00 ^{+0.30} _{-0.30}
E	1.75 ^{+0.10} _{-0.10}
F	7.50 ^{+0.10} _{-0.10}
P	8.00 ^{+0.10} _{-0.10}
P ₀	4.00 ^{+0.10} _{-0.10}
P ₂	2.00 ^{+0.10} _{-0.10}
Do	ø1.50 ^{+0.10} _{-0.00}
T	0.40 ^{+0.05} _{-0.05}
A ₀	ø4.70 ^{+0.10} _{-0.10}
B ₀	ø4.70 ^{+0.10} _{-0.10}
K ₀	4.70 ^{+0.10} _{-0.10}

1.MATERIAL: Black Anti-static Polystyrene
 2.Components loaded per 13" reel : 1700pcs

REV.	DESCRIPTION	DATE	REV.	DESCRIPTION	DATE	UNLESS OTHERWISE SPECIFIED TOLERANCE	SIZE	REV.	FILE NAME
1			4			ANGLES	A4	1.0	119A-NUT-56-R02_D_3
						ANGLES			
						ANG.			
						ANG.			
						±5°			
						0.			
						±0.3			
						LINEAR			
						0.0			
						±0.25			
						0.00			
						±0.20			
						SCALE			
						AS SHOWN			
						UNIT: mm			
						DRAWN			
						Willis			
						2012/12/10			
						CHECKED			
						Angel			
						2012/12/10			
						APPROVED			
						Ken			
						2012/12/10			
						PRODUCT NO.			
						119A-NUT-56-R02			
						FILE NAME			
						119A-NUT-56-R02_D_3			

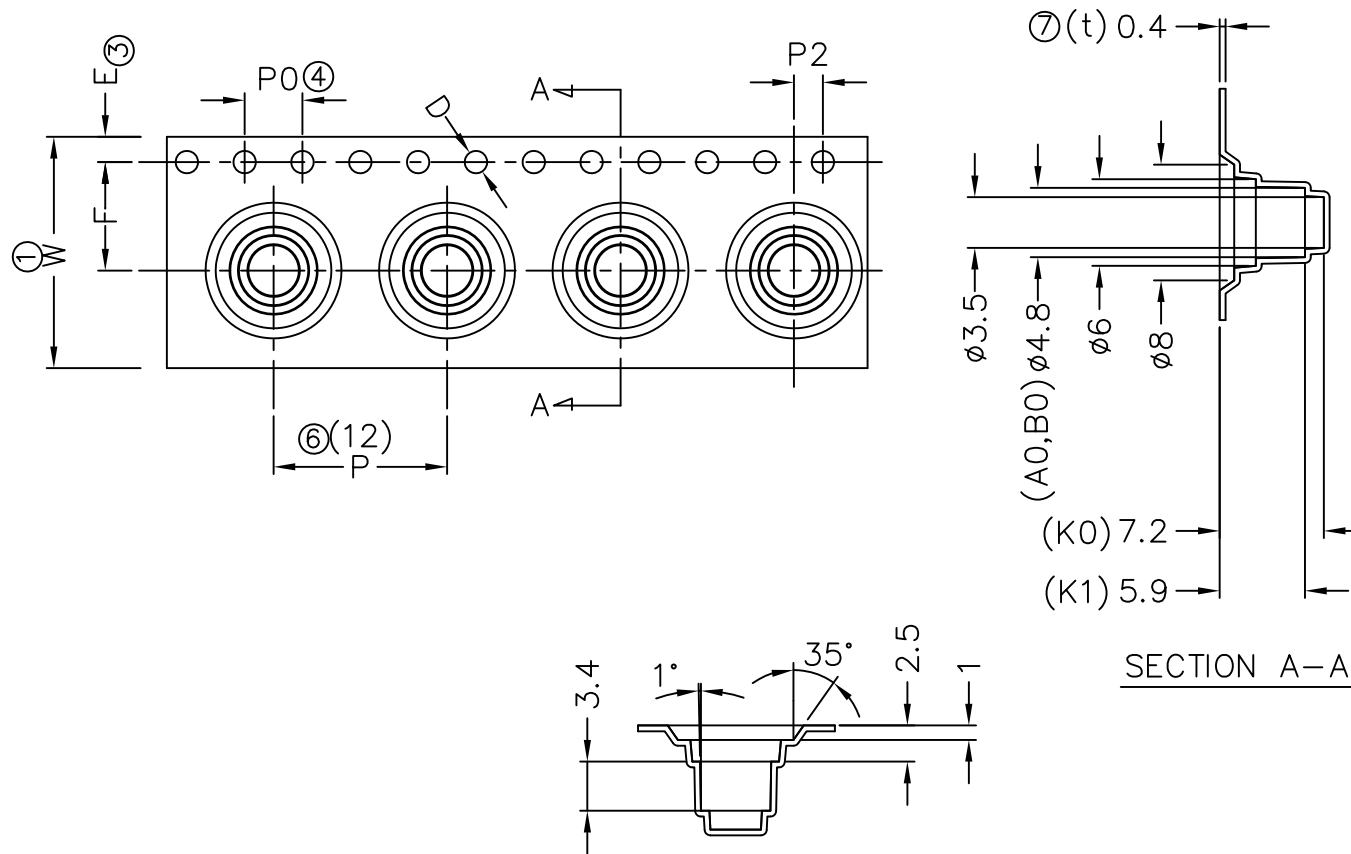


www.attend.com.tw

DRAWN NAME:
Mini PCI Express Stand Off

PRODUCT NO. 119A-NUT-56-R02

FILE NAME 119A-NUT-56-R02_D_3



1. Material: Black Anti-static Polystyrene ,T=0.4mm
2. Component loaded per 13" reel : 800 pcs. (Core 4")

ITEM	W	A ₀	B ₀	K ₀	K ₁	P	F	E	D	D ₁	P ₀	P ₂
DIM	16.0 ^{+0.30} _{-0.30}	4.80 ^{+0.20} _{-0.10}	4.80 ^{+0.20} _{-0.10}	7.20 ^{+0.20} _{-0.10}	5.90 ^{+0.20} _{-0.10}	12.0 ^{+0.10} _{-0.10}	7.50 ^{+0.10} _{-0.10}	1.75 ^{+0.10} _{-0.10}	1.50 ^{+0.10} _{-0.00}	0.00 ^{+0.25} _{-0.00}	4.00 ^{+0.10} _{-0.10}	2.00 ^{+0.10} _{-0.10}

UNLESS OTHERWISE SPECIFIED TOLERANCE		
ANGLES	ANG.	±5°
LINEAR	0.	±0.3
	0.0	±0.25
	0.00	±0.20
SCALE	AS SHOWN	UNIT: mm
DRAWN	Willis	2012/12/10
CHECKED	Angel	2012/12/10
APPROVED	Ken	2012/12/10



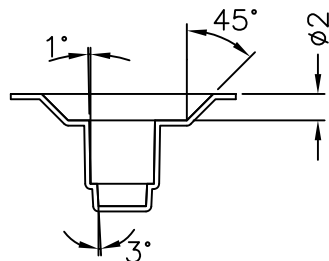
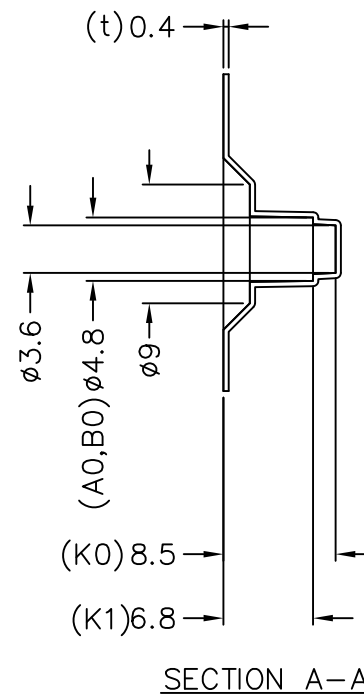
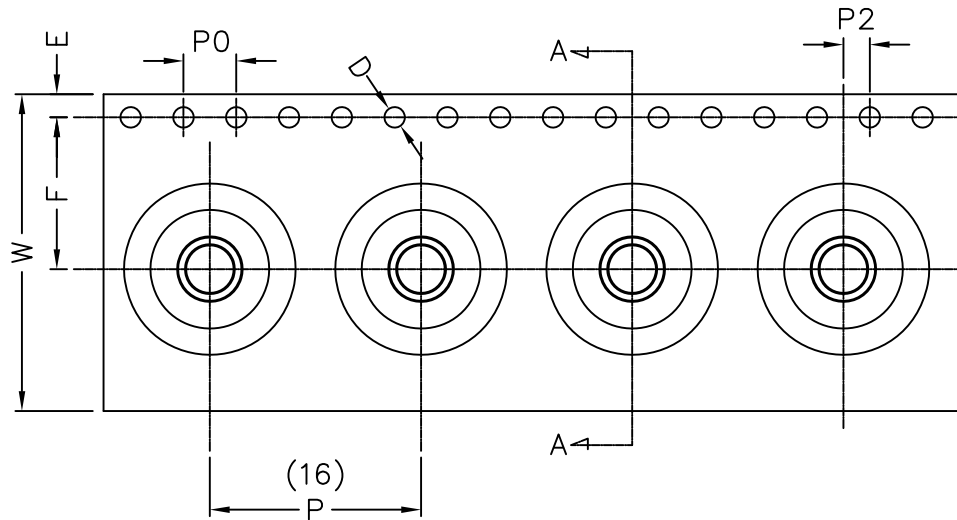
www.attend.com.tw

DRAWN NAME:
Mini PCI Express Stand Off

PRODUCT NO. 119A-NUT-80-R02

△	Revise:											
△	Revise:											
△	Revise:											

REV.	DESCRIPTION	DATE	REV.	DESCRIPTION	DATE	SIZE	REV.	FILE NAME
1			4			A4	1.0	119A-NUT-80-R02_D_2



1. Material: Black Anti-static Polystyrene ,T=0.4mm
 2.Reel : 300 pcs.

ITEM	W	A ₀	B ₀	K ₀	K ₁	P	F	E	D	D ₁	P ₀	P ₂
DIM	24.0 ^{+0.30} _{-0.30}	4.80 ^{+0.20} _{-0.10}	4.80 ^{+0.20} _{-0.10}	8.50 ^{+0.20} _{-0.10}	6.80 ^{+0.20} _{-0.10}	16.0 ^{+0.10} _{-0.10}	11.50 ^{+0.10} _{-0.10}	1.75 ^{+0.10} _{-0.10}	1.50 ^{+0.10} _{-0.00}	0.00 ^{+0.25} _{-0.00}	4.00 ^{+0.10} _{-0.10}	2.00 ^{+0.10} _{-0.10}

UNLESS OTHERWISE SPECIFIED TOLERANCE		
ANGLES	ANG.	±5°
LINEAR	0.	±0.3
	0.0	±0.25
	0.00	±0.20
SCALE	AS SHOWN	UNIT: mm
DRAWN	Willis	2014/06/16
CHECKED	Angel	2014/06/16
APPROVED	Ken	2014/06/16



www.attend.com.tw

DRAWN NAME: Mini PCI Express Stand Off

PRODUCT NO. 119A-NUT-92-R02

FILE NAME 119A-NUT-92-R02_D_3

REV.	DESCRIPTION	DATE	REV.	DESCRIPTION	DATE
1			4		
2			5		
3			6		

SIZE	A4
REV.	1.0