

△ Date code:
 8 1 6 4
 year 2018 day: 1~7
 week: 1~52

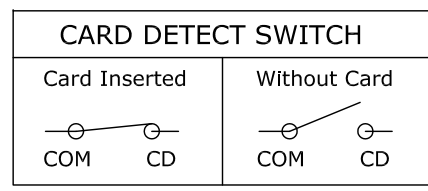
REV.	DESCRIPTION	DRAWN	DATE
3	REVISED FRAME	Willis	2012/08/03
4	REVISED CONTACT, FRAME	Fros	2015/04/28
5	ECR1800010 add Rib	Fros	2018/05/10

SPECIFICATION:

- ELECTRICAL**
 - Current Rating: 0.5A per pin
 - Voltage Rating: 30V AC/DC
 - Contact Resistance: 100mΩ
 - Insulation Resistance: 1000MΩ
 - Dielectric Withstanding Voltage: 500VAC
- MECHANICAL**
 - Durability: 10,000 Cycle
 - Insertion Force: 7N max.
- ENVIRONMENTAL**
 - Operating temperature range: -40°C~+85°C
 - Storage temperature range: -40°C~+85°C
- SOLDER ABILITY**
 - Recommended IR-Reflow Temperature: 260°C

△ PIN DEFINITION								
NAME	C1	C2	C3	C4	C5	C6	C7	C8
TYPE	Vcc	RST	CLK	N/A	GND	Vpp	I/O	N/A

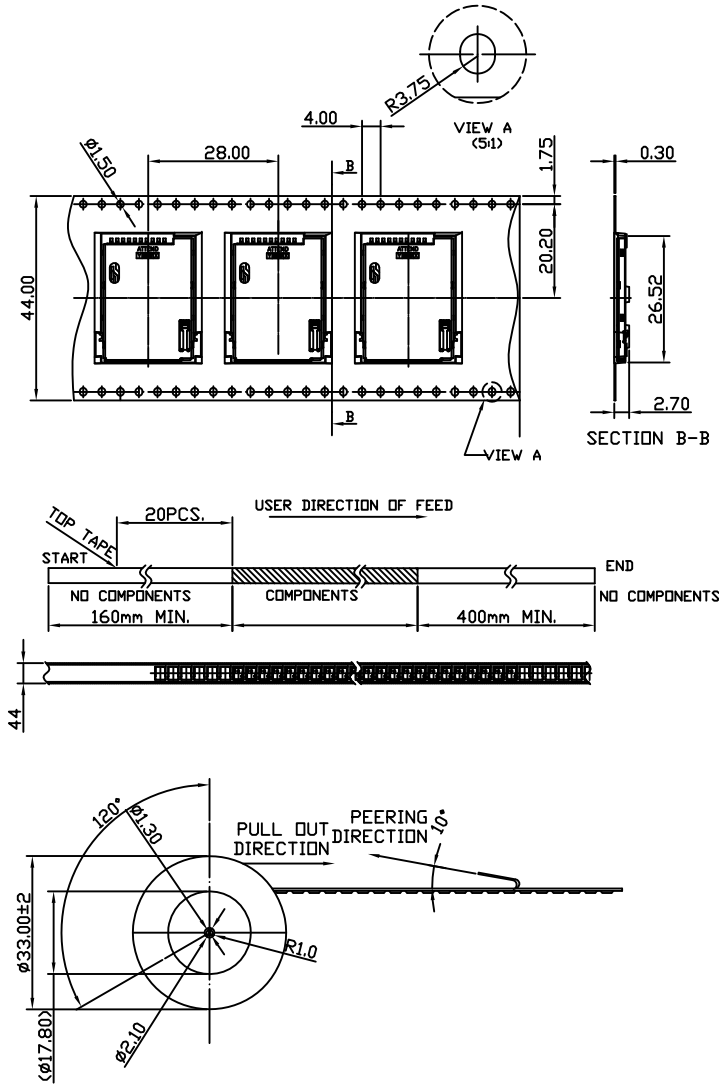
6	SPRING	SWP
5	CRANK	SUS304
4	SLIDER	LCP, UL94V-0, Black
3	SHELL	SUS304, Gold plating on solder tails, under plating: 50u" min. Nickel
2	CONTACT	Phosphor Bronze, Gold plating on contact area, 120u" min. Tin plating on solder tails, under plating 50u" min. Nickel
1	HOUSING	LCP, UL94V-0, Black



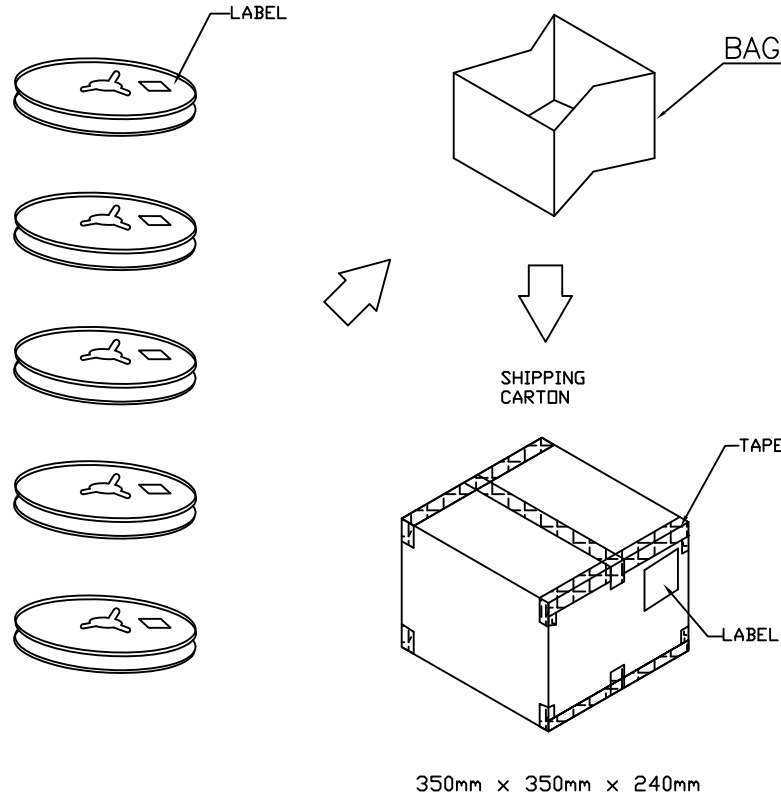
NO.		PART NAME	DESCRIPTION
UNLESS OTHERWISE SPECIFIED TOLERANCE			
UNIT:	DECIMAL	LINEAR	ANGLES
	mm	X, ±0.50	±5°
		X,XX ±0.25	±3°
		X,XXX ±0.12	±1°
DRAWN	Willis	2009/11/25	DRAWN NAME:
CHECKED	Angel	2009/11/25	SIM Card Socket 8+2Pin Push-Type
APPROVED	Ken	2009/11/25	PRODUCT NO. 115A-BDA0-R01
SCALE	SHEET	SIZE	FILE NAME
2/1	1/1	A4	115A-BDA0-R01_B_5



www.attend.com.tw



NOTE:
 1. 115A SERIES STANDARD PACKING: 500 PCS/REEL
 2. 5 REEL/SHIPPING CARTON



350mm x 350mm x 240mm

REV.	DESCRIPTION	DATE	REV.	DESCRIPTION	DATE	SIZE	REV.	FILE NAME
1			2			A4	1.0	115A-BDA0-R01_D_2
3			4					
5			6					
7			8					
9			10					

A	△ Revise:								
	△ Revise: pin definition				2010/10/11	CHECKED	Angel	2012/08/03	DRAWN NAME: Willis
	△ Revise: date code marking				2009/11/25	APPROVED	Ken	2012/08/03	DRAWN NAME: Angel
									PRODUCT NO. 115A-BDA0-R01
									www.attend.com.tw
									SIM Card Socket 8+2Pin Push-Push Type



www.attend.com.tw

PRODUCT NO. 115A-BDA0-R01

FILE NAME 115A-BDA0-R01_D_2