

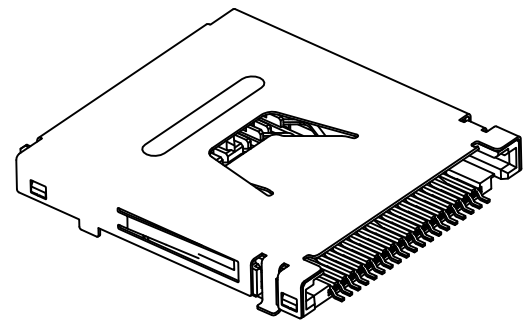
- NOTES :
- MATERIAL :  
 INSULATOR : HIGH TEMPERATURE THERMOPLASTIC , UL94V-0.  
 COLOR : BLACK  
 CONTACT : PHOSPHOR BRONZE.
  - APPLICATION : SD&HS SD&SDHC&MMC &xD&MS&MS PRO&MagicGate MS&MS-ROM&MS I/O Expansion  
 (It can protect the damage of MSDuo)
  - PLATING : CONTACT AREA :Gold Flash,10u" Au PLATED OVER Ni  
 SOLDER AREA : Tin PLATED OVER Ni

107R-B X 0 0-R  
 1 2 3

1.Type  
 B:SD/MMC/MS/XD

2.Contact Plating  
 A:Gold Flash  
 D:10u" Gold Plating

3.RoHS

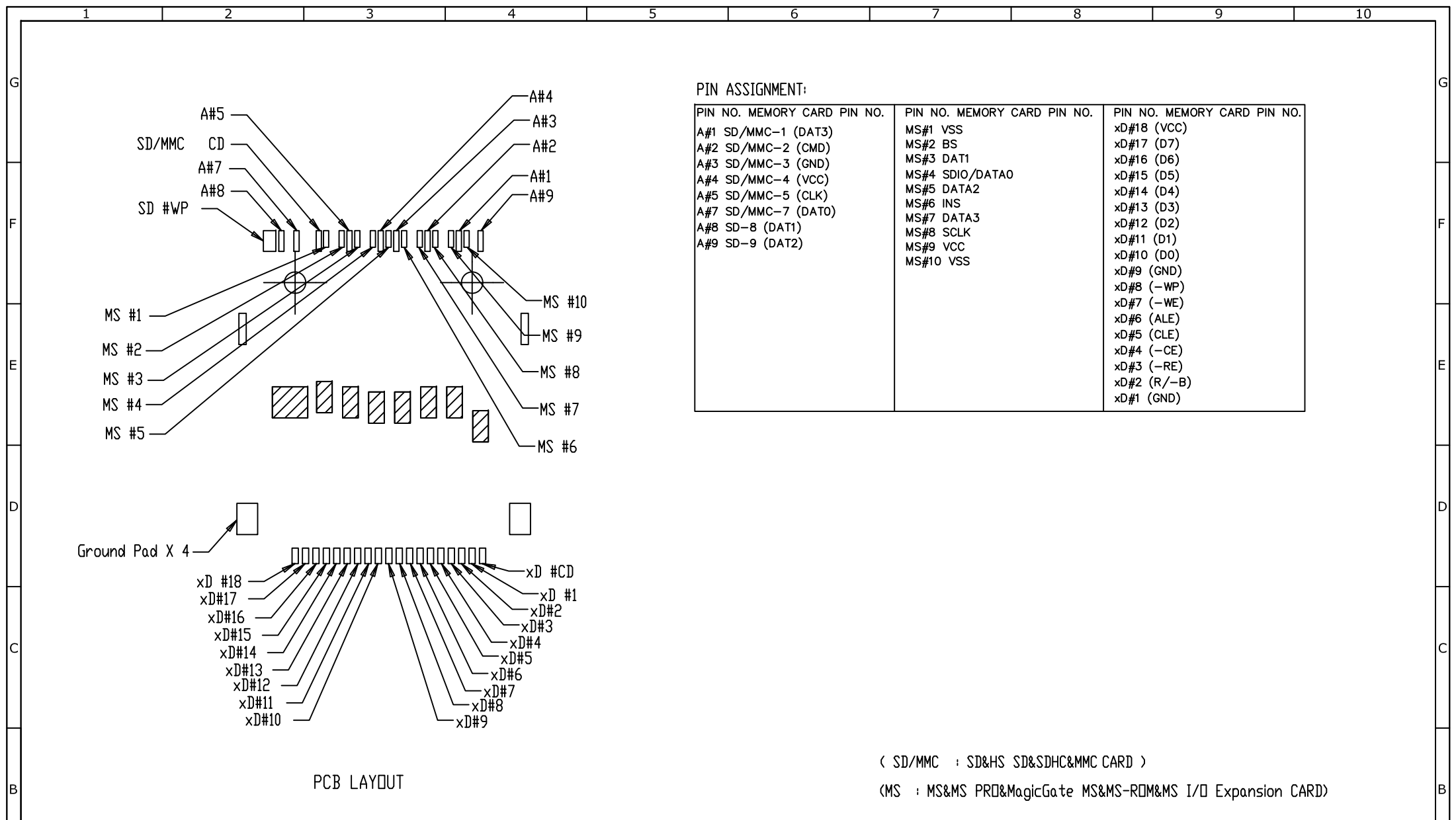


| REV. | DESCRIPTION | DATE | REV. | DESCRIPTION | DATE | SIZE | REV. | FILE NAME       |
|------|-------------|------|------|-------------|------|------|------|-----------------|
| 1    |             |      | 4    |             |      | A4   | 1.0  | 107R-BX00-R_B_1 |
| 2    |             |      | 5    |             |      |      |      |                 |
| 3    |             |      | 6    |             |      |      |      |                 |
| 4    |             |      | 7    |             |      |      |      |                 |
| 5    |             |      | 8    |             |      |      |      |                 |
| 6    |             |      | 9    |             |      |      |      |                 |
| 7    |             |      | 10   |             |      |      |      |                 |

|                                      |          |            |  |                 |
|--------------------------------------|----------|------------|--|-----------------|
| UNLESS OTHERWISE SPECIFIED TOLERANCE |          |            | www.attend.com.tw                                |                 |
| ANGLES                               | ANG.     | ±5°        | DRAWN NAME:<br>Multi Card Socket<br>SD/MMC/MS/xD |                 |
| LINEAR                               | 0.       | ±0.3       |  |                 |
|                                      | 0.0      | ±0.25      |  |                 |
|                                      | 0.00     | ±0.20      |  |                 |
| SCALE                                | AS SHOWN | UNIT: mm   | PRODUCT NO.                                      | 107R-BX00-R     |
| DRAWN                                | Willis   | 2012/08/03 | FILE NAME  | 107R-BX00-R_B_1 |
| CHECKED                              | Angel    | 2012/08/03 |  |                 |
| APPROVED                             | Ken      | 2012/08/03 |  |                 |





**PIN ASSIGNMENT:**

| PIN NO. | MEMORY CARD     | PIN NO. | PIN NO.    | MEMORY CARD | PIN NO. | PIN NO. | MEMORY CARD | PIN NO. |
|---------|-----------------|---------|------------|-------------|---------|---------|-------------|---------|
| A#1     | SD/MMC-1 (DAT3) | MS#1    | VSS        | xD#18       | (VCC)   |         |             |         |
| A#2     | SD/MMC-2 (CMD)  | MS#2    | BS         | xD#17       | (D7)    |         |             |         |
| A#3     | SD/MMC-3 (GND)  | MS#3    | DAT1       | xD#16       | (D6)    |         |             |         |
| A#4     | SD/MMC-4 (VCC)  | MS#4    | SDIO/DATA0 | xD#15       | (D5)    |         |             |         |
| A#5     | SD/MMC-5 (CLK)  | MS#5    | DATA2      | xD#14       | (D4)    |         |             |         |
| A#7     | SD/MMC-7 (DAT0) | MS#6    | INS        | xD#13       | (D3)    |         |             |         |
| A#8     | SD-8 (DAT1)     | MS#7    | DATA3      | xD#12       | (D2)    |         |             |         |
| A#9     | SD-9 (DAT2)     | MS#8    | SCLK       | xD#11       | (D1)    |         |             |         |
|         |                 | MS#9    | VCC        | xD#10       | (D0)    |         |             |         |
|         |                 | MS#10   | VSS        | xD#9        | (GND)   |         |             |         |
|         |                 |         |            | xD#8        | (-WP)   |         |             |         |
|         |                 |         |            | xD#7        | (-WE)   |         |             |         |
|         |                 |         |            | xD#6        | (ALE)   |         |             |         |
|         |                 |         |            | xD#5        | (CLE)   |         |             |         |
|         |                 |         |            | xD#4        | (-CE)   |         |             |         |
|         |                 |         |            | xD#3        | (-RE)   |         |             |         |
|         |                 |         |            | xD#2        | (R/-B)  |         |             |         |
|         |                 |         |            | xD#1        | (GND)   |         |             |         |

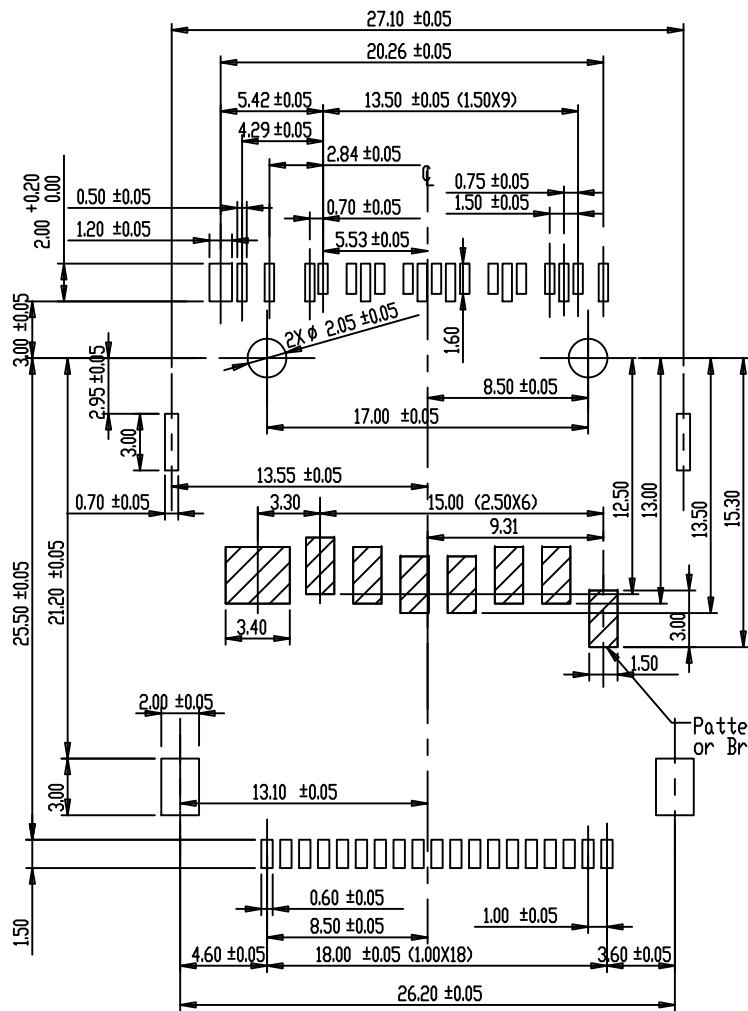
PCB LAYOUT

( SD/MMC : SD&HS SD&SDHC&MMC CARD )  
 (MS : MS&MS PRO&MagicGate MS&MS-RDM&MS I/O Expansion CARD)

| REV. | DESCRIPTION | DATE | REV. | DESCRIPTION | DATE | SIZE | REV. | FILE NAME       |
|------|-------------|------|------|-------------|------|------|------|-----------------|
| 1    |             |      | 4    |             |      | A4   | 1.0  | 107R-BX00-R_B_1 |

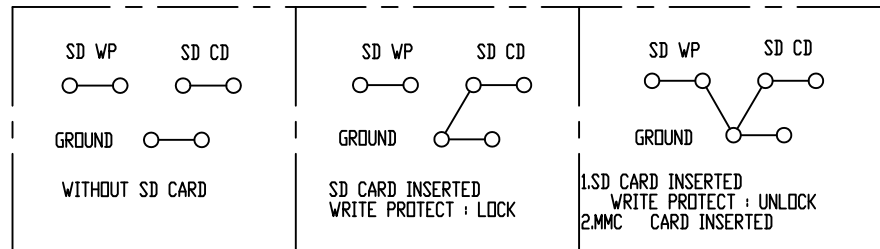
  

| UNLESS OTHERWISE SPECIFIED TOLERANCE |          |            | ATTEND            |             |
|--------------------------------------|----------|------------|-------------------|-------------|
| ANGLES                               | ANG.     | ±5°        | www.attend.com.tw |             |
| LINEAR                               | 0.       | ±0.3       |                   |             |
|                                      | 0.0      | ±0.25      |                   |             |
|                                      | 0.00     | ±0.20      |                   |             |
| SCALE                                | AS SHOWN | UNIT: mm   | DRAWN NAME:       |             |
| DRAWN                                | Willis   | 2012/08/03 | Multi Card Socket |             |
| CHECKED                              | Angel    | 2012/08/03 | SD/MMC/MS/xD      |             |
| APPROVED                             | Ken      | 2012/08/03 | PRODUCT NO.       | 107R-BX00-R |

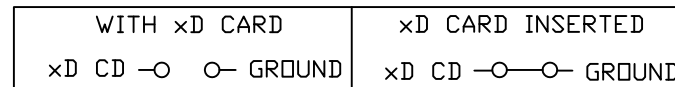



PCB LAYOUT

SD CIRCUIT :



xD CIRCUIT :



|      |             |  |      |      |             |                                      |          |            |  |                 |  |
|------|-------------|--|------|------|-------------|--------------------------------------|----------|------------|--|-----------------|--|
|      |             |  |      |      |             | UNLESS OTHERWISE SPECIFIED TOLERANCE |          |            | <br>www.attend.com.tw |                 |  |
|      |             |  |      |      |             | ANGLES                               | ANG.     | ±5°        |  |                 |  |
|      |             |  |      |      |             | LINEAR                               | 0.       | ±0.3       |  |                 |  |
|      |             |  |      |      |             |                                      | 0.00     | ±0.20      |  |                 |  |
|      |             |  |      |      |             | SCALE                                | AS SHOWN | UNIT: mm   | DRAWN NAME:  |                 |  |
|      |             |  |      |      |             | DRAWN                                | Willis   | 2012/08/03 | Multi Card Socket  |                 |  |
|      |             |  |      |      |             | CHECKED                              | Angel    | 2012/08/03 | SD/MMC/MS/xD   |                 |  |
|      |             |  |      |      |             | APPROVED                             | Ken      | 2012/08/03 | PRODUCT NO.  | 107R-BX00-R     |  |
| REV. | DESCRIPTION |  | DATE | REV. | DESCRIPTION |                                      | DATE     | SIZE       | REV.   | FILE NAME       |  |
| 1    |             |  |      | 4    |             |                                      |          | A4         | 1.0  | 107R-BX00-R_B_1 |  |

- △ Revise:
- △ Revise:
- △ Revise:

A

A

B

B

C

C

D

D

E

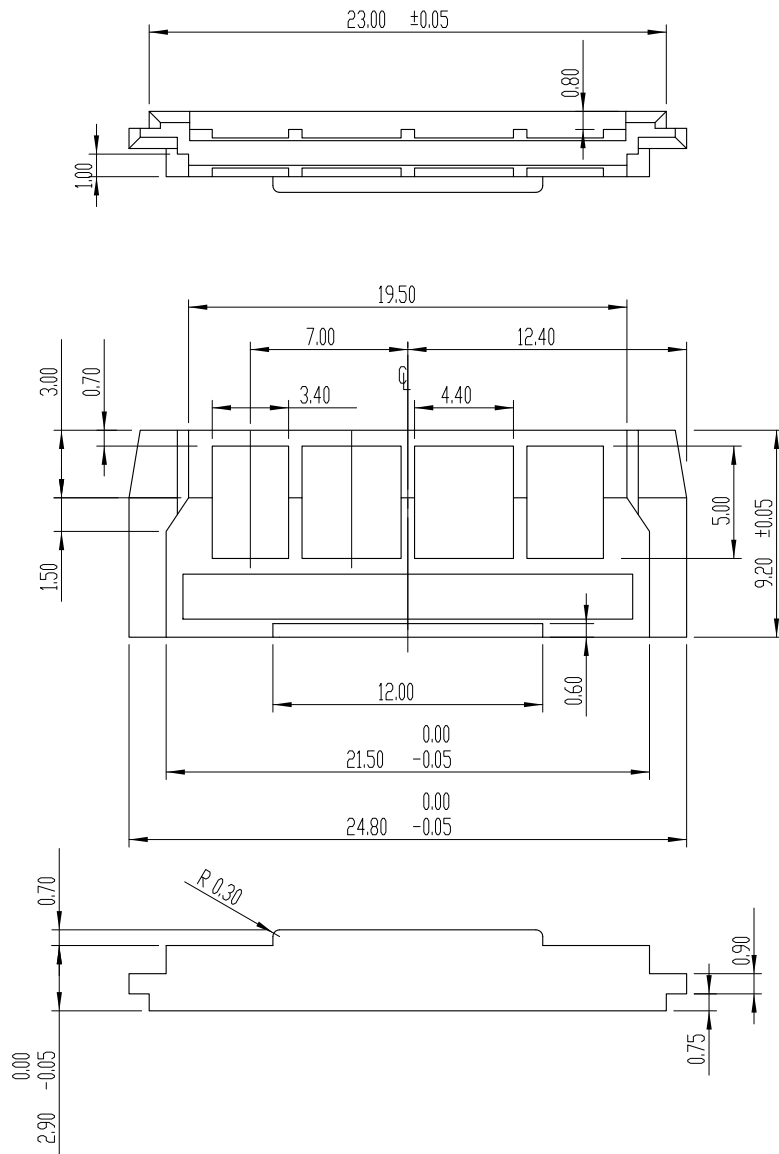
E

F

F

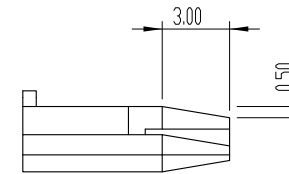
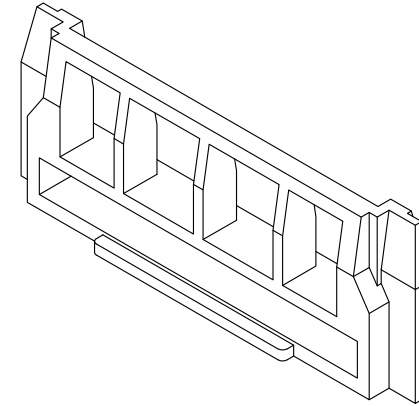
G

G



NOTES:

1.MATERIAL: PA9T, UL94V-0,BLACK



| REV. | DESCRIPTION | DATE | REV. | DESCRIPTION | DATE | SIZE | REV. | FILE NAME       |
|------|-------------|------|------|-------------|------|------|------|-----------------|
| 1    |             |      | 4    |             |      | A4   | 1.0  | 107R-XX00-R_B_2 |
| 2    |             |      | 5    |             |      |      |      |                 |
| 3    |             |      | 6    |             |      |      |      |                 |
| 4    |             |      | 7    |             |      |      |      |                 |
| 5    |             |      | 8    |             |      |      |      |                 |
| 6    |             |      | 9    |             |      |      |      |                 |
| 7    |             |      | 10   |             |      |      |      |                 |

| UNLESS OTHERWISE SPECIFIED TOLERANCE |          |            | ATTEND                             |                 |
|--------------------------------------|----------|------------|------------------------------------|-----------------|
| ANGLES                               | ANG.     | ±5°        | www.attend.com.tw                  |                 |
| LINEAR                               | 0.       | ±0.3       |                                    |                 |
|                                      | 0.0      | ±0.25      |                                    |                 |
|                                      | 0.00     | ±0.20      |                                    |                 |
| SCALE                                | AS SHOWN | UNIT: mm   | DRAWN NAME: Multi Card Socket Fill |                 |
| DRAWN                                | Willis   | 2012/08/03 | PRODUCT NO.                        | 107R-XX00-R     |
| CHECKED                              | Angel    | 2012/08/03 | FILE NAME                          | 107R-XX00-R_B_2 |
| APPROVED                             | Ken      | 2012/08/03 |                                    |                 |



www.attend.com.tw

DRAWN NAME: Multi Card Socket Fill

PRODUCT NO. 107R-XX00-R

FILE NAME 107R-XX00-R\_B\_2