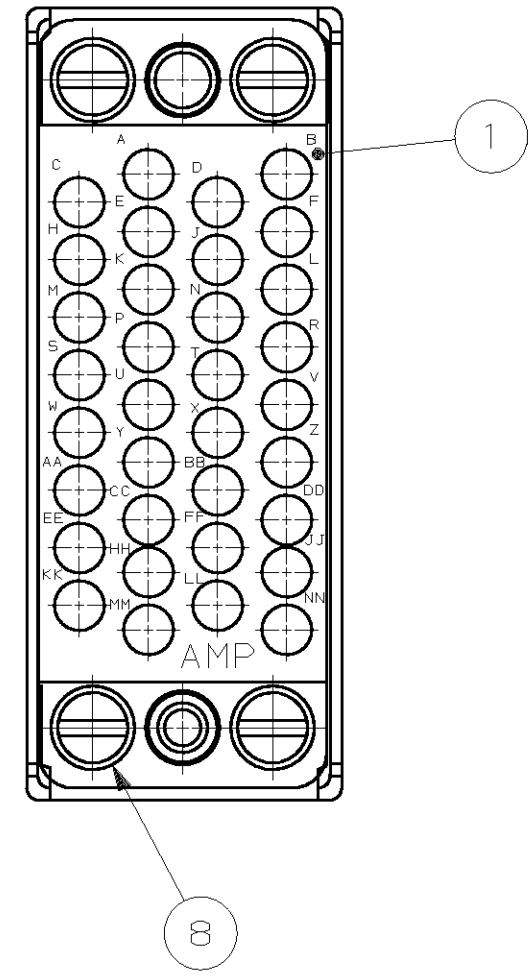
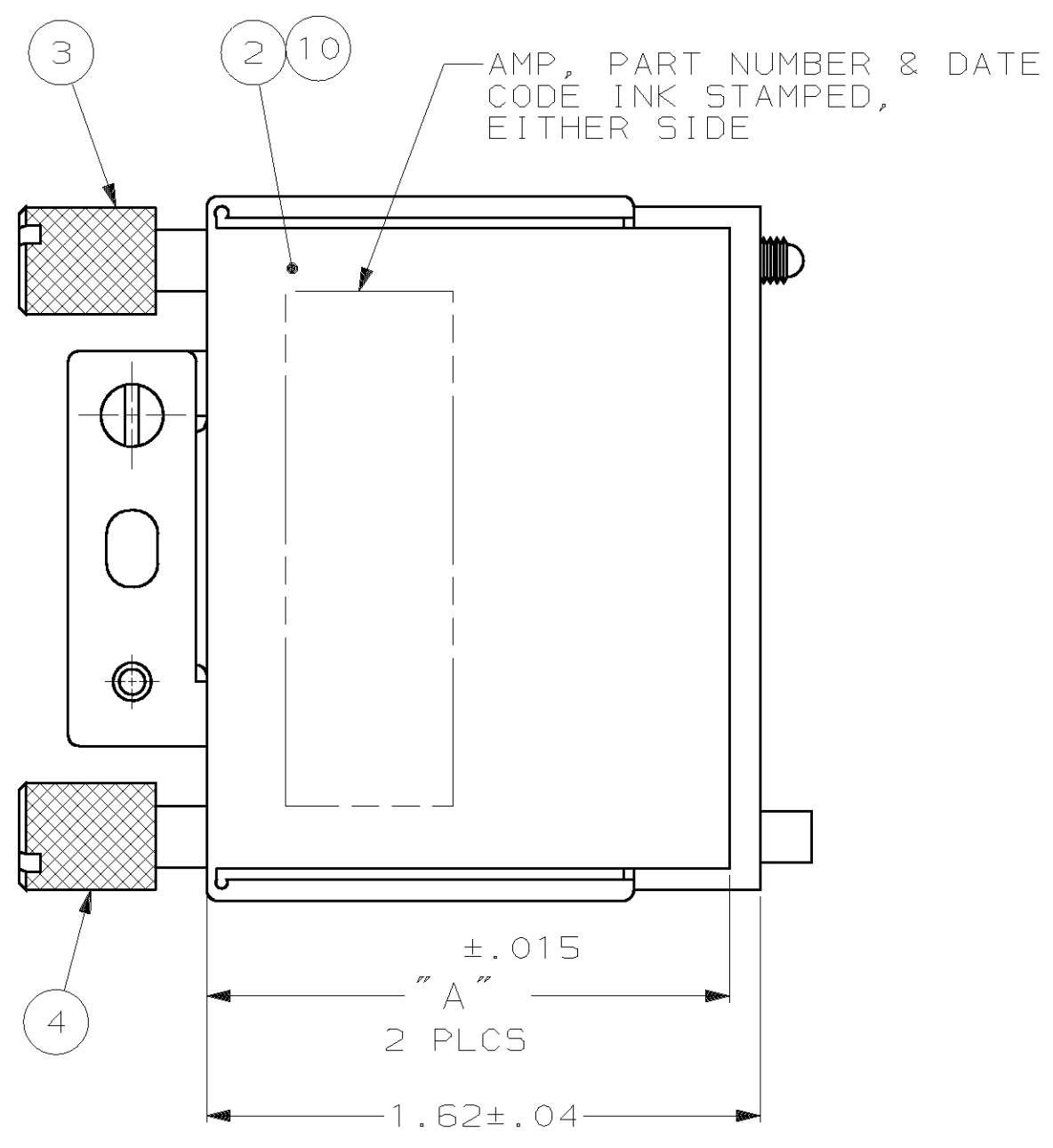
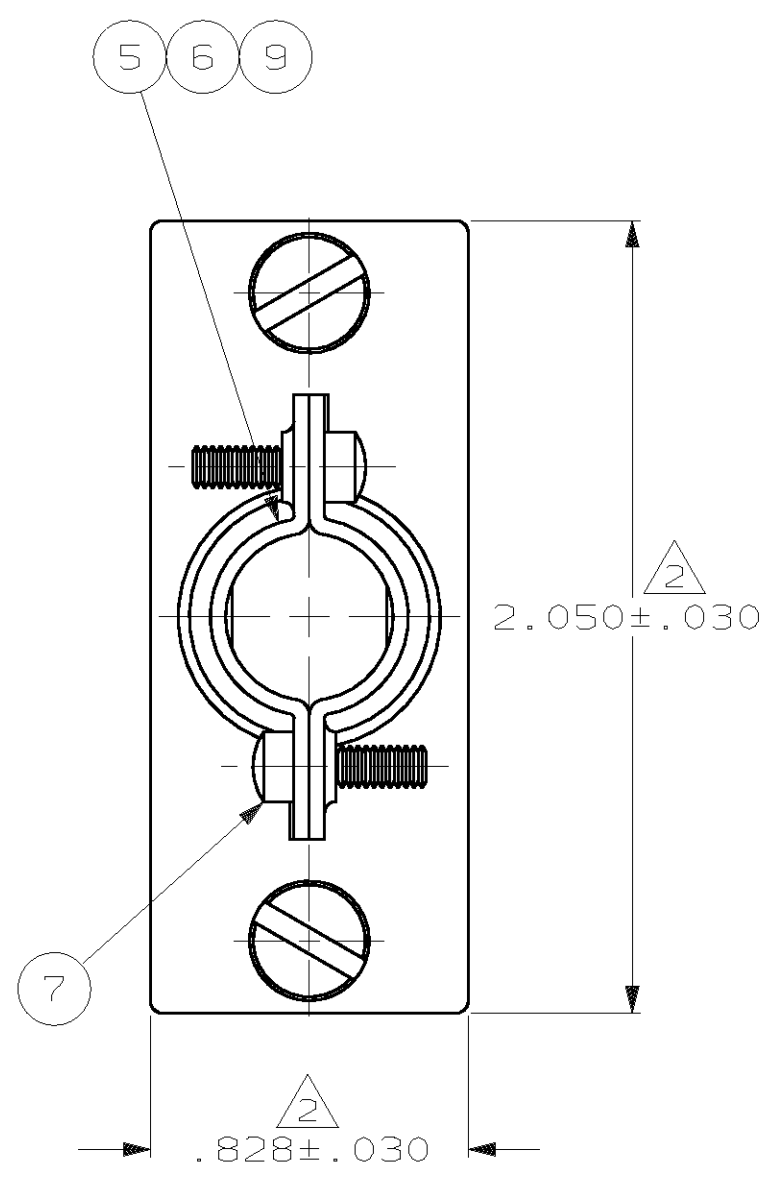


LOC	DIST	P	F	ZONE	LTR	DESCRIPTION	DATE	APPD
FT	8							
						D1 ADDED -4 NPR 4784 WAS 93-4883-4	05/13/93	RK
						E OBSOLETE -4 PER EC 0320-28-97	14 AUG 97	MM
						F PER EC 063B-0592-01	22 MAR 02	RH



- 1. PARTIALLY ASSEMBLED.
- $\triangle 2$ DIMENSION APPLIES AT BASE OF BEND.
- $\triangle 3$ ALL ITEMS BULK PACKAGED SEPARATELY. WITHOUT INK MARKING.
- $\triangle 4$ PRELIMINARY PART NO.

QTY	PRELIMINARY PART NO.	DESCRIPTION	REMARKS	ITEM NO.
1	-	SHIELD, SHORT/SHORT	ALUMINUM, ANODIZED	10
-	2	CABLE CLAMP	STEEL, PLATED ZINC	9
4	4	SCREW, #4-40, .250 LONG	STEEL, PLATED ZINC	8
2	2	SCREW, #4-40, .375 LONG	STEEL, PLATED ZINC	7
-	-	CABLE CLAMP	STEEL, PLATED ZINC	6
2	-	CABLE CLAMP	STEEL, PLATED ZINC	5
1	1	JACKSCREW, FEMALE	STAINLESS STEEL	4
1	1	JACKSCREW, MALE	STAINLESS STEEL	3
-	1	SHIELD, SHORT	ALUMINUM, ANODIZED	2
1	1	RECEPTACLE HOUSING, MOD	PHENOLIC, BLACK	1

DIM. "A"	CABLE AREA SQUARE INCHES	PART NUMBER
1.225	.1491-.2336	213522-5
1.530	.0314-.0707	213522-4
1.530	.1491-.2336	213522-3
1.530	.1176-.1643	213522-2
1.530	.1491-.2336	213522-1

DO NOT SCALE PRINT. UNLESS SPECIFIED DIMENSIONS IN mm [INCHES] TOLERANCES ON : 2 PLC DEC ± - 3 PLC DEC ± - ANGLES ± -		DR 4-6-88 D.ERDMAN CHK 4-6-88 R.STONE APPD 4-7-88 R.WALTER APPD 4-12-88 D.SUMMERS		AMP Incorporated Harrisburg, PA 17105-3608 NAME KIT ASSEMBLY, RECEPTACLE, 34 POSITION, M SERIES	
MATERIAL SEE TABLE		PRODUCT SPEC -			
FINISH SEE TABLE		APPLICATION SPEC -		SIZE C	CAGE CODE 00779
		WEIGHT -		DRAWING NO C=213522	SHEET 1 OF 1

THIS DRAWING IS A CONTROLLED DOCUMENT FOR AMP INCORPORATED. IT IS SUBJECT TO CHANGE AND THE CONTROLLING ENGINEERING ORGANIZATION SHOULD BE CONTACTED FOR THE LATEST REVISION.