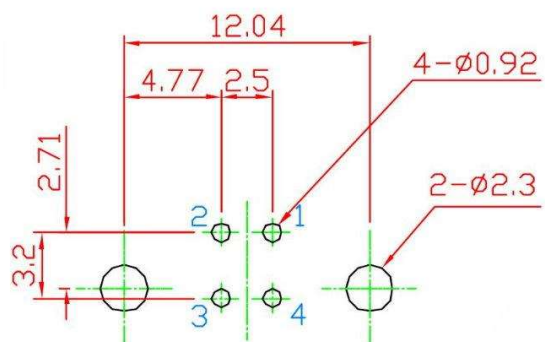


Specification:
 Contact Resistance: 30m Ohm Max.
 Insulation Resistance: 1000M Ohm Min. At 500VDC.
 Rated Voltage And Current: 1.5A At 250VAC Minimum.
 Dielectric Withstanding Voltage:
 500V AC (rms) for 1 Minute(Rev. 2.0)
 Durability (Life Test): 1500 Cycles
 Insertion Force: 35 Newton Maximum.
 Extraction Force: 10 Newton Minimum.



(COMPONENT SIDE)
PCB LAYOUT

NO.	NAME	MATERIAL	FINISH	REMARK	Q'TY
1	HOUSING	PBT G.F.	WHITE		1
2	PIN TERM.	PHOS. BRONZE T:0.25	GOLD/TIN PLATED	Gold:30u"; NI:40~60u"; TIN:120u" (100% pure Tin of lead free plating)	4
3	SHELL	BRASS T:0.3	NICKEL PLATED	NI:80~120u"	1
4	BOTTOM COVER	PBT G.F.	WHITE		1

RoHS
Compliant

APPD. 核准	SCALE 比例 参考	TOLERANCE 容許公差 .0 ± 0.25 .00 ± 0.13 ANG. ±	PART NAME 品名 USB B TYPE DIP TYPE 4P FEMALE 180° NICKEL SHELL SELECTIVE GOLD PLATING WHITE COLOR ROHS
DWG. 製圖 HELEN	UNIT 單位 MM	SIZE 紙張尺寸 A4	
DATE 製表日 2011/11/21	PAGE 張數 1 OF 1	REV. 版本 A	PART NO. 料號 USBB-BV