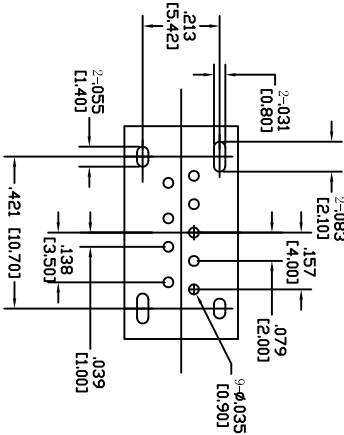
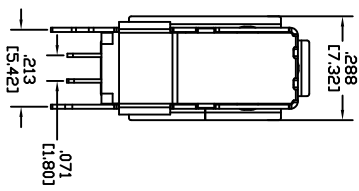
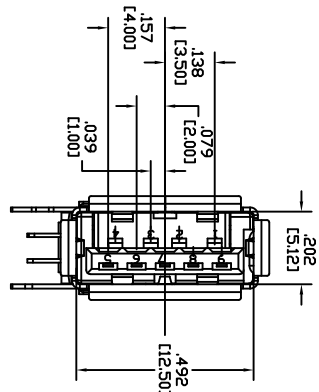
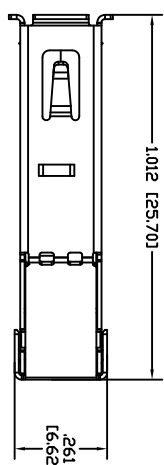
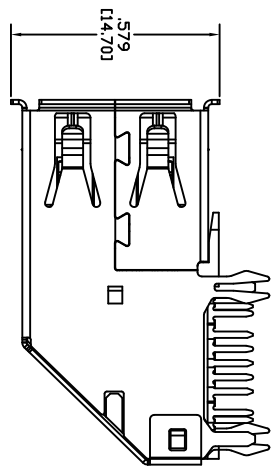
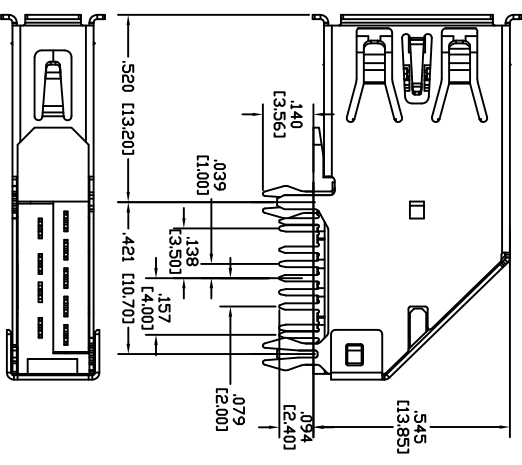


APPROVED: _____
 DATE: _____ TITLE: _____

Rev	AWO #	Description	Date	Appr
-		RELEASED	2/7/12	
A		REVISED DIM.	5/17/13	



RECOMMENDED PCB LAYOUT
(TOP VIEW)



SPECIFICATIONS:

- Material: PBT, glass reinforced, rated UL 94V-0
- Insulator color: Blue
- Contacts: Copper alloy
- Plating: Gold flash over Nickel underplate on contact area, Tin over Copper underplate on tails.
- Electrical:
 - Current rating: 1.8 Amp max for pin1&pin4
 - 0.25 Amp for other contacts
 - Contact resistance: 30 mohms max for pin1&pin4
 - 50 mohms max for other contacts
- Dielectric withstanding voltage: 100V AC.
- Temperature Rating:
 - Operating temperature: -55°C to +85°C
 - Environmental: Lead free, RoHS compliant



UNLESS OTHERWISE SPECIFIED
 ALL DIMENSIONS ARE INCHES [MM]
 TOLERANCES: EXCEPT AS NOTED
 INCHES: .10 ± .10 ØXX ± .015
 .XX ± .020 ØXXX ± .010
 .XXX ± .015
 APPROVALS: _____ DATE: _____

DRAWN	AY	2/7/12
CHECKED	NP	2/7/12
APPROVED		

ADAM TECH

909 Rahway Avenue, Union, NJ 07083
 Phone: 908-687-5000 Fax: 908-687-5710

TITLE: USB 3.0, TYPE A, RIGHT ANGLE UPRIGHT
 SEL GOLD FLASH

REF: S00120T	SCALE: NTS	SHEET 1 OF 1
SIZE: X	PART NO.: USB-A3-S-RU	REV: A