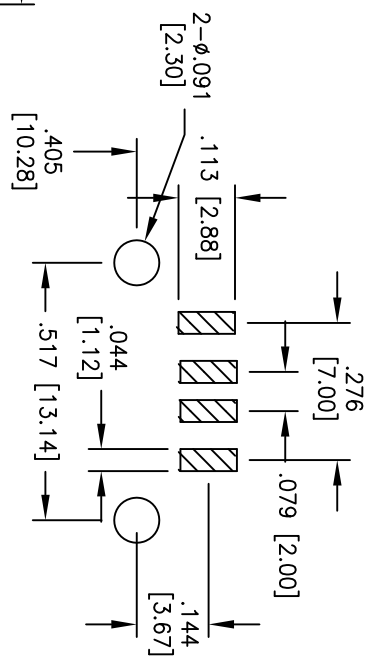
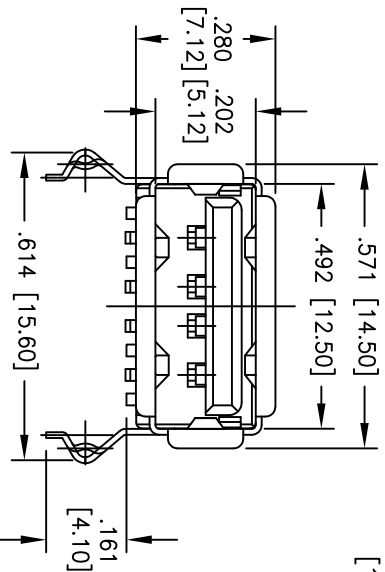
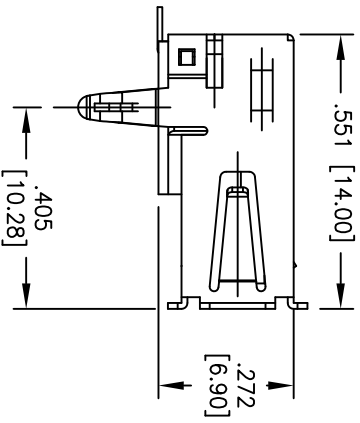
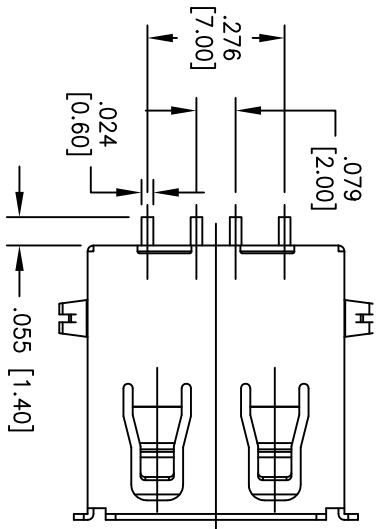


Rev	AWO #	Description	Date	Appr
-		RELEASED	5/15/06	
A		REDRAWN	6/10/11	
B		REVISED DIM.	6/11/13	

APPROVED: _____
 DATE: _____ TITLE: _____



PCB LAYOUT

SPECIFICATIONS:

Material:
 Insulator: Hi-temp thermoplastic, rated UL 94V-0
 Insulator color: Black
 Contacts: Copper alloy
 Shell: Copper alloy, nickel plated
 Plating:
 Gold flash over Nickel underplate on contact area, Tin over Copper underplate on SMT tails

Electrical:
 Voltage rating: 30 V AC.
 Current rating: 1.5 Amp max, @250V AC
 Contact resistance: 30 mohms max.
 Insulation resistance: 1000 Mohms min.
 Dielectric withstanding voltage: 500 VAC for 1 minute
 Temperature Rating:
 Operating temperature: -20°C to +60°C
 Environmental:
 Lead free, RoHS compliant.



UNLESS OTHERWISE SPECIFIED ALL DIMENSIONS ARE INCHES [MM] TOLERANCES: EXCEPT AS NOTED	
INCHES	HOLES
X ± .10	ØXX ± .015
.XX ± .020	ØXXX ± .015
.XXX ± .015	ØXXXX ± .010
APPROVALS	DATE
DRAWN SS	5/15/06
CHECKED	
APPROVED	

ADAM TECH
 909 Rahway Avenue, Union, NJ 07083
 Phone: 908-687-5000 Fax: 908-687-5710

TITLE: UNIVERSAL SERIAL BUS
 SINGLE PORT, RIGHT ANGLE, SMT

SIZE	PART NO.	REV.
X	USB-A-S-RASMT	B
REF:	S00005C	SCALE: NTS
		SHEET 1 OF 1