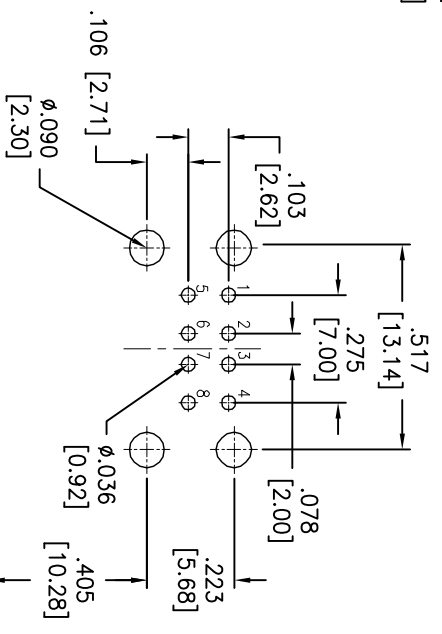
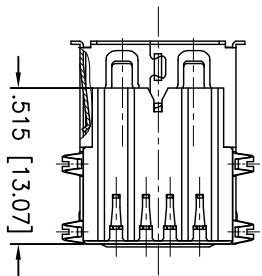
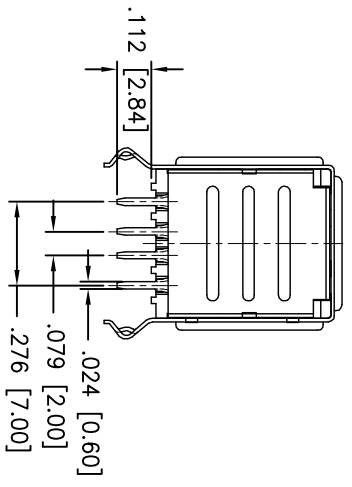
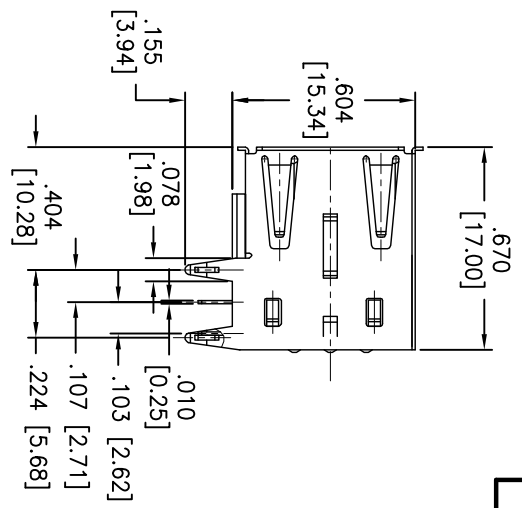
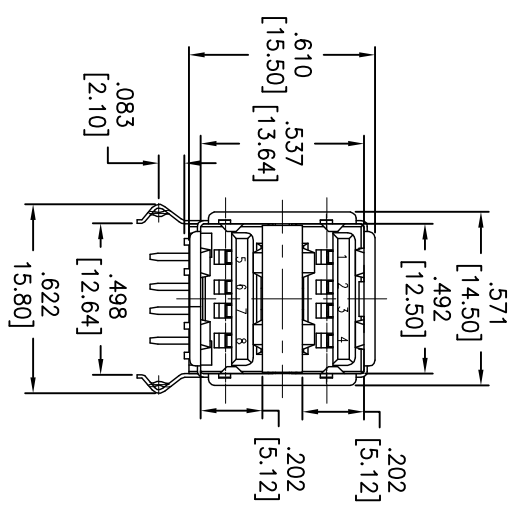


APPROVED: _____
 DATE: _____ TITLE: _____



RECOMMENDED PCB LAYOUT

SPECIFICATIONS:

Material:
 Insulator: PBT, Glass filled, rated UL 94V-0
 Insulator color: Black
 Contacts: Copper Alloy
 Shell: Steel, nickel plated
Plating:
 Gold flash over Nickel underplate on contact area,
 Tin over Copper underplate on PCB tails

Electrical:
 Operating voltage: 30 VAC max.
 Current rating: 1.5 Amp max, @250V AC
 Contact resistance: 30 mohms max.
 Insulation resistance: 1000 Mohms min.
 Dielectric withstanding voltage: 500 VAC for 1 minute
Temperature Rating:
 Operating temperature: -20°C to +60°C

Environmental:
 Lead free, RoHS compliant.



Rev	AWO #	Description	Date	Appr
-		RELEASED	12/3/04	
A		REVISED & REDRAWN	09/22/05	
B		REVISED DIM.	6/19/08	
C		REDDRAWN	6/3/11	
D		REVISED DIM.	12/5/11	
E		ADDED DIM.	01/23/13	

UNLESS OTHERWISE SPECIFIED
 ALL DIMENSIONS ARE INCHES [MM]
 TOLERANCES: EXCEPT AS NOTED
 INCHES HOLES
 .X ± .10 ØXX ± .10
 .XX ± .020 ØXXX ± .015
 .XXX ± .015 ØXXXX ± .010

ADAM TECH
 909 Railway Avenue, Union, NJ 07083
 Phone: 908-687-5000 Fax: 908-687-5710

DRAWN		DATE		TITLE	
SS	10/4/04			UNIVERSAL SERIAL BUS	
CHECKED				DUAL PORT, RIGHT ANGLE, PCB	
APPROVED		SIZE	PART NO.	SCALE:	REV.
		X	USB-A-D-RA	NIS	E
		REF:	S00005C	SHEET	1 OF 1