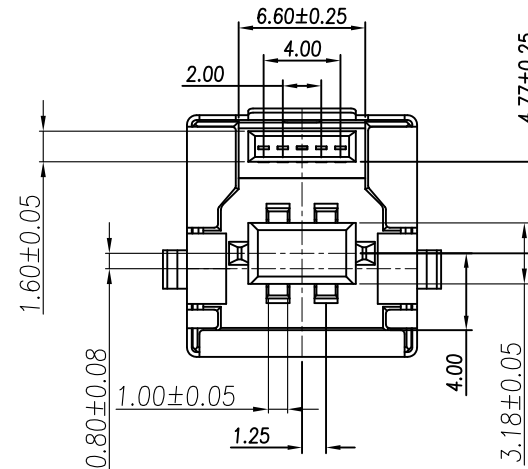
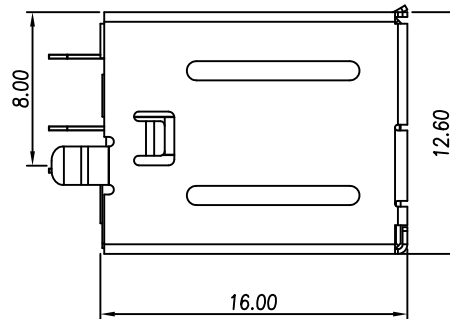
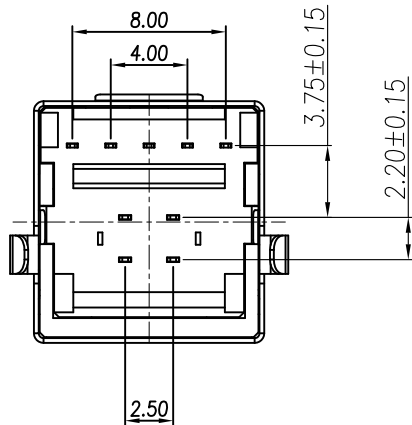


RECOMMENDED PCB LAYOUT
(TOLERANCE +/-0.05)



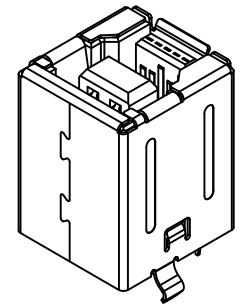
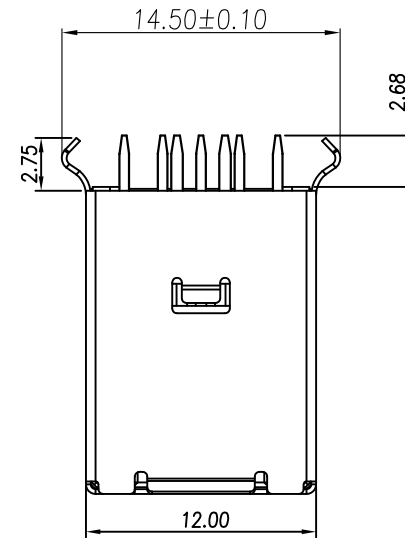
Ordering Information

TUEB9F1DXY

Contact Plating

1= 15u" Gold

3=30u" Gold



1. MATERIAL :
 - 1-1. HOUSING : PBT ,UL94V-0; COLOR:BLUE
 - 1-2. CONTACT(USB 3.0) : BRASS
 - 1-3. CONTACT(USB 2.0): PHOSPHOR BRONZE
 - 1-4. SHELL : BRASS
2. FINISH :
 - 2-1. CONTACT :
 - CONTACT AREA : AU 15u" OR 30u".
 - SOLDER AREA : MATTE-TIN
 - UNDER PLATE : NICKEL
 - 2-2. SHELL : NICKEL PLATED OVER ALL



TOLERANCE (mm)	APPROVALS	DATE	TITLE	AMPHENOL Amphenol European Design Center	
X. ±0.35	DRAWN Stephane	30/Nov/2010	USB 3.0 B F Vertical	Scale N.A.	Sheet 1 of 1
X.X ±0.25	CHECKED Rob	30/Nov/2010			
X.XX ±0.15	APPROVED Rob	30/Nov/2010			
UNLESS OTHERWISE SPECIFIED		UNIT : mm	SIZE : A4	DRAWING N° TUEB9F1DXY	REV. A