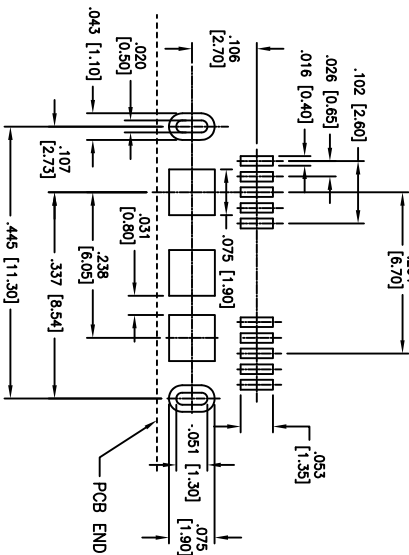
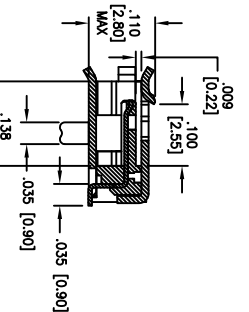
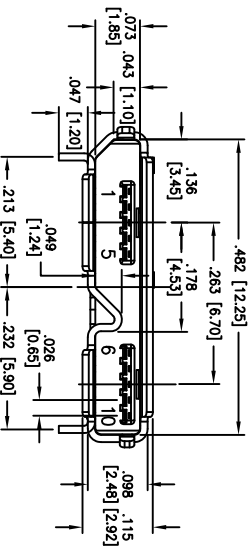
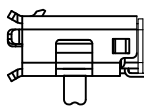
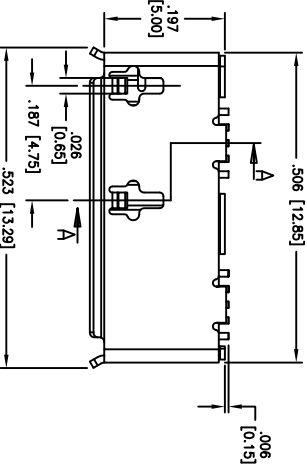


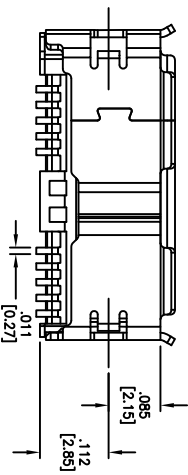
APPROVED: \_\_\_\_\_  
 DATE: \_\_\_\_\_ TITLE: \_\_\_\_\_

| Rev | AWO # | Description          | Date     | Appr |
|-----|-------|----------------------|----------|------|
| -   |       | RELEASED             | 10/11/11 |      |
| A   |       | REVISED SHAPE & DIM. | 5/11/12  |      |

| Pin NUMBER | SIGNAL NAME |
|------------|-------------|
| 1          | VBUS        |
| 2          | D-          |
| 3          | D+          |
| 4          | ID          |
| 5          | GND         |
| 6          | MCB_SSTX-   |
| 7          | MCB_SSTX+   |
| 8          | GND_DRAIN   |
| 9          | MCB_SSRX-   |
| 10         | MCB_SSRX+   |



RECOMMENDED PCB LAYOUT



**SPECIFICATIONS:**

Material: Insulator: Hi-Temp Thermoplastic, rated UL 94V-0  
 Insulator color: Black  
 Contacts: Brass  
 Shell: Stainless Steel, Gold Flash plated on the soldering tab  
 Plating: 15u" Gold flash over Nickel underplate overall  
 Electrical:  
 Operating voltage: 30 VAC max.  
 Current rating: 1 Amp max.  
 Contact resistance: 50 mohms max.  
 Insulation resistance: 100 Mohms min. @ 500 VDC  
 Dielectric withstanding voltage: 250 VAC for 1 minute  
 Temperature Rating:  
 Operating temperature: -20°C to +85°C  
 Environmental:  
 Lead free, RoHS compliant.

**ADAM TECH**

909 Railway Avenue, Union, NJ 07083  
 Phone: 908-687-5000 Fax: 908-687-5710

MICRO USB 3.0 B TYPE, 10PIN, SMT, DIP SHELL

| UNLESS OTHERWISE SPECIFIED ALL DIMENSIONS ARE INCHES [MM] |        | TOLERANCES EXCEPT AS NOTED |        |
|---|--------|----------------------------|--------|
| .X  | ± .10  | ØXX                        | ± .10  |
| .XX   | ± .020 | ØXXX                       | ± .015 |
| .XXX  | ± .015 | ØXXXX                      | ± .010 |

| APPROVALS  | DATE     |
|------------|----------|
| DRAWN AY   | 10/11/11 |
| CHECKED RC | 10/11/11 |
| APPROVED   |          |

| SIZE | PART NO.         | REV. |
|------|------------------|------|
| X    | MCR-B3-RA-SMT-15 | A    |

REF: S00120T SCALE: NTS SHEET 1 OF 1