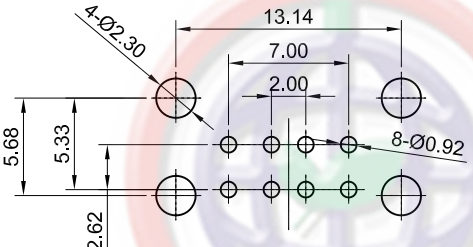
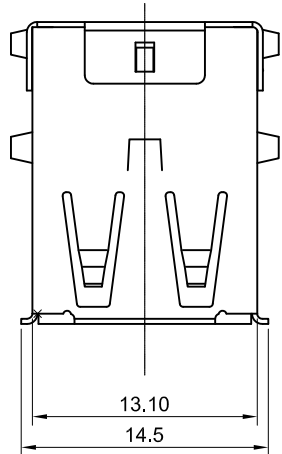
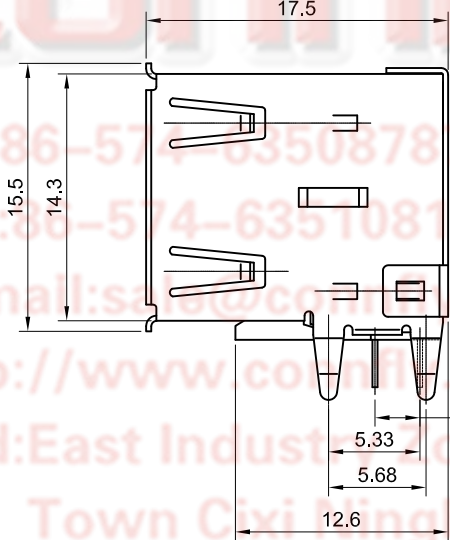
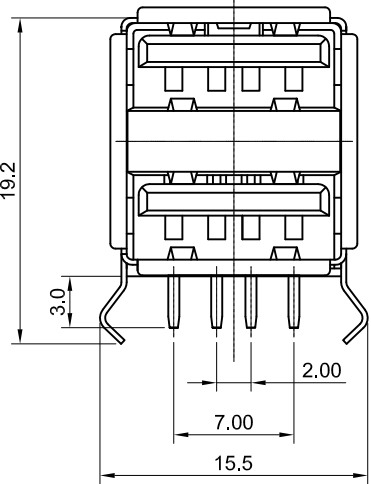


Dept
 Qty
 DC 1
 ED 1
 IE 1
 ISO 1
 PD 1
 R&D 1
 SD 1
 QA 1
 QC 1
 QF 1
 The information provided herein is from CONNELY Electronic Co., Ltd. and is confidential. Any disclosure to a party other than the recipient is prohibited. The intellectual properties and its rights contained herein, including but not limited to, trademarks, patents, copyrights, trade secrets, and technical know-how, are owned exclusively by CONNELY or its affiliates. Unauthorized use or reproduction of this information in any form or manner, including but not limited to, copying, distribution, or disclosure, is strictly prohibited. CONNELY may enforce its intellectual property rights at its own discretion; failures or delays to exercise such rights does not constitute a waiver of such rights.

REV.	DESCRIPTION	DRAWN	CHECKED	APPROVED
A	NEW RELEASE	LJH 05/10/05'		LJC 05/10/05'
B	ARRANGE DRAWING	JLZ 04/15/15'		LJC 04/15/15'
C	DRAWING UPDATE	JLZ 03/23/17'	HZW 03/23/17'	LJC 03/23/17'
D	DRAWING UPDATE	JLZ 04/22/19'		



RECOMMEND PCB LAYOUT
TOLERANCE=±0.05



NOTES:

- SPECIFICATIONS:
 - CONTACT RESISTANCE:30mΩ max.
 - INSULATOR RESISTANCE:1000MΩ min.AT DC 500V.
 - CURRENT RATING:1.5A.
 - VOLTAGE RATING:30VDC.
 - DIELECTRIC STRENGTH:AC 500V FOR 1 Minute.
- MATERIALS:
 - HOUSING:PBT+30% GLASS FIBER(UL 94-0).
 - CONTACT:COPPER ALLOY
 - SHELL:COPPER ALLOY.
- ENVIRONMENT CHARACTERISTICS:
 - TEMPERATURE: -20°C~+85°C.
- PRODUCT NUMBER CODE:
 DS1096 - X X X X - X
 Shell Material
 Fe: Steel
 N/A Code: Copper Alloy
 Shell Type
 X: W/O shrapnel
 Contact Plating
 0: Selective Gold flash
 03: Selective Gold 3u"
 30: Selective Gold 30u"
 Shell Plating
 N: Nickel
 6: Tin
 Color of Housing:
 W: White
 B: Black

CONNELY
 Tel:86-574-63508787
 Fax:86-574-63510817
 E-mail:sales@connely.com
 http://www.connely.com
 Add:East Industrial Zone KuangYan
 Town Cixi Ningbo China
 P.C:315333

GENERAL TOLERANCE		ANGLE TOLERANCE		PROJECTION	TITLE	USB DUAL 8 PIN RECEPTALCE RIGHT ANGLE TYPE	
X.	±0.60	X.	±5°				
.X	±0.38	.X	±3°	mm			
.XX	±0.25	.XX	±2°	A4	SERIES	DS1096 SERIES	
DRAWING TYPE		CUSTOMER		晨翔电子有限公司 CONNELY CONNELY ELECTRONIC CO. LTD			
SCALE		1:1	SHEET 1 OF 1				
DRAWING NO.		C-DS1096-XXXX-D					