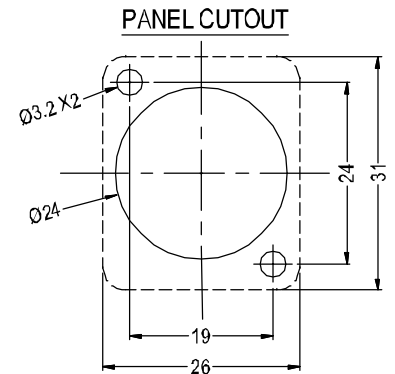
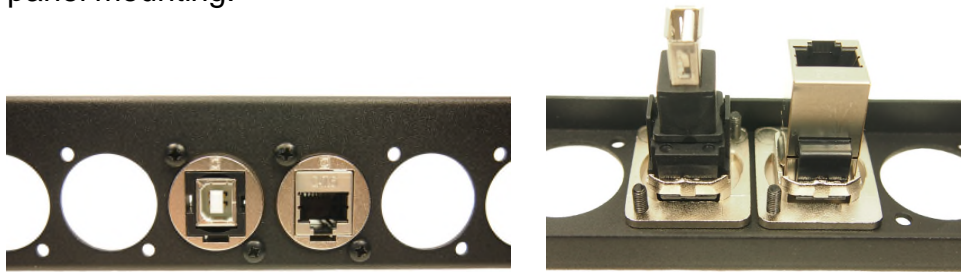


CLIFF

FEEDTHROUGH CONNECTORS - M3 Holes

Our best selling Feedthrough Connectors are now available with M3 holes, for quick and easy rear panel mounting.



Part No.
CP30203NM3

DESCRIPTION
USB 2.0 B to USB 2.0 B, Metal frame



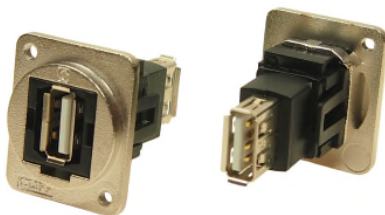
Part No.
CP30205NM3

DESCRIPTION
USB 3.0 A to USB 3.0 A, Metal frame



Part No.
CP30205NM3B

DESCRIPTION
USB 3.0 A to USB 3.0 A, Black metal frame



Part No.
CP30208NM3

DESCRIPTION
USB 2.0 A to USB 2.0 A, Metal frame



Part No.
CP30208NM3B

DESCRIPTION
USB 2.0 A to USB 2.0 A, Black metal frame



FEEDTHROUGH CONNECTORS - M3 Holes



Part No.
CP30220M3B

DESCRIPTION
UTP Cat5e RJ45-RJ45, Black metal frame



Part No.
CP30222SM3

DESCRIPTION
FTP Cat6 RJ45-RJ45, Shielded, Metal frame

For further information, contact sales@cliffuk.co.uk

Cliff Electronic Components Limited,
76 Holmethorpe Avenue, Holmethorpe Ind. Estate,
Redhill, Surrey RH1 2PF U.K.
Tel: +44 (0)1737 771375 Fax: +44 (0)1737 766012



Visit us online at:
www.cliffuk.co.uk