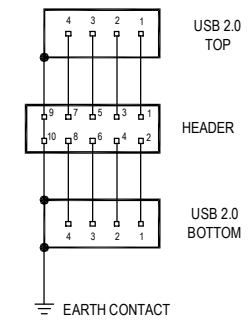
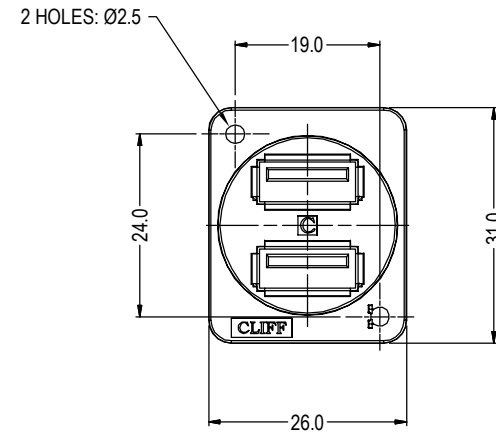
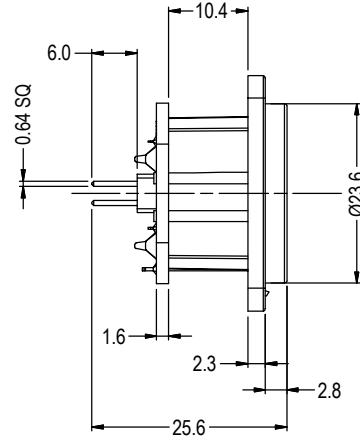
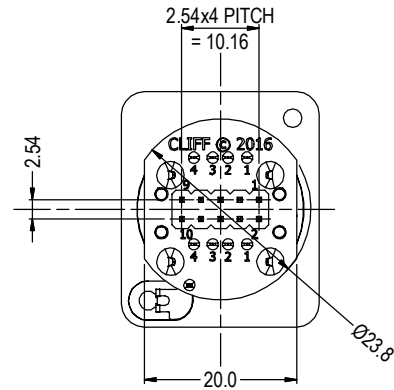
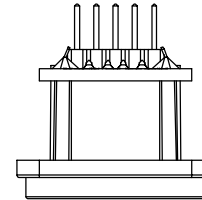
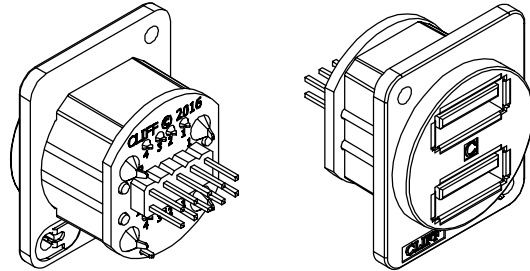
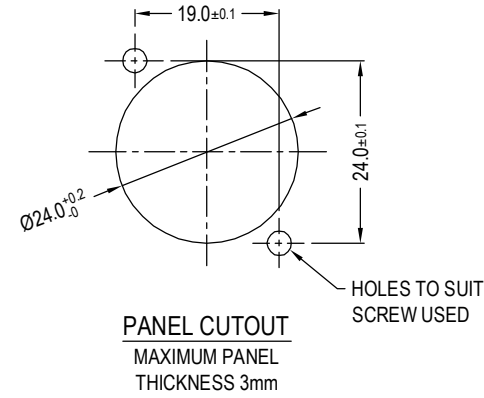
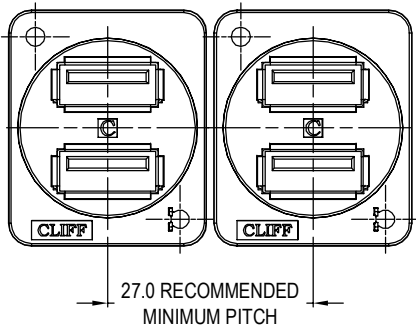


ISS.	AMEND	DATE
1	ISSUED	11/10/2016



SCHEMATIC



	Pin No.		Header Pin
Top USB	1	Vcc	1
	2	Data -	3
	3	Data +	5
	4	Ground	7
USB Body			9
Bottom USB	1	Vcc	2
	2	Data -	4
	3	Data +	6
	4	Ground	8
USB Body			10

RoHS COMPLIANT

TOLERANCE
 NO DEC. PLACE ±
 1 DEC. PLACE ±
 2 DEC. PLACE ±
 HOLE Ø ±
 ANGLES ±
 UNLESS OTHERWISE STATED

Cliff Electronic Components Ltd.
 76 Holmethorpe Avenue, Holmethorpe Industrial Estate,
 Redhill, Surrey, RH1 2PF, England, UK
 Tel: 01737-771375 Fax: 01737-766012 Website: www.cliffuk.co.uk

THE CONTENTS OF THIS DOCUMENT MUST NOT BE COPIED OR DISCLOSED TO A 3rd PARTY WITHOUT WRITTEN PERMISSION OF CLIFF UK. © 2016

DIMENSIONS IN MILLIMETERS UNLESS OTHERWISE STATED. WORK TO DIMENSIONS. REMOVE ALL BURRS. IF IN DOUBT ASK.

MATERIAL: SEE PART DRAWINGS
 FINISH: SEE PART DRAWINGS
 DRAWN: NJB
 APPROVED: DPJ

3rd ANGLE PROJECTION:

TITLE: XLR DUAL USB2 PLAIN HOLES-BACK MOUNT

DRWG. No. **CP 30100X** FORM: A4DRWGH

DO NOT SCALE