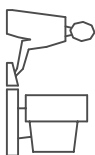


TOLERANCE UNLESS OTHERWISE SPECIFIED IN MM:

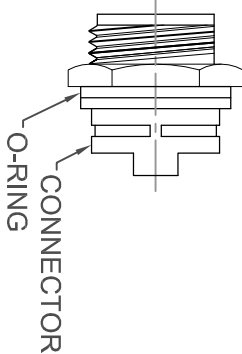
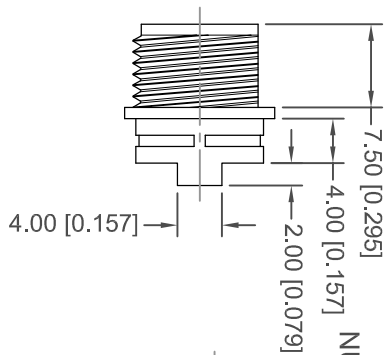
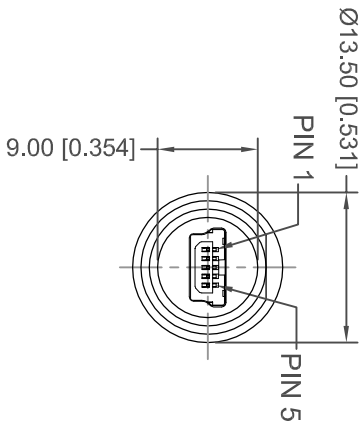
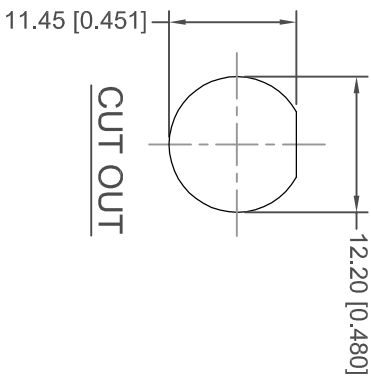
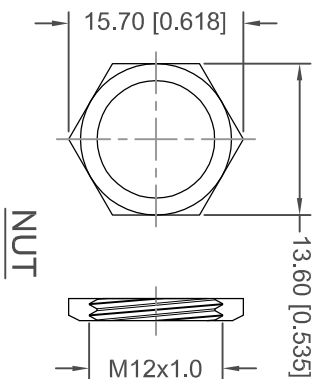
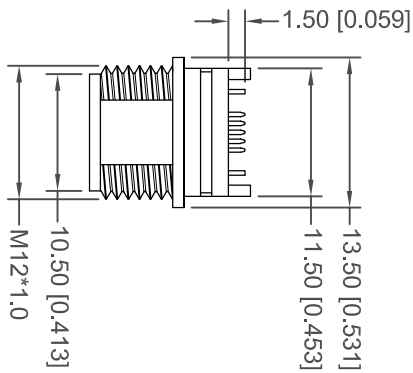
0.0 ± 0.20
0.00 ± 0.10
0.000 ± 0.05

THIS IS A C.A.D. GENERATED DRAWING
DO NOT MAKE MANUAL REVISIONS TO MASTER.



ISSUE NUMBER
ORIGINAL

1



1. MATERIAL :
 - 1-1. HOUSING : LCP UL94V-0 ; COLOR : BLACK
 - 1-2. CONTACT : PHOSPHOR BRONZE
 - 1-3. SHELL : BRASS
2. PARTS
 - 2-1. EXTERNAL NUT : PBT UL 94V-0 ; COLOR : BLACK
 - 2-2. O-RING : EPDM (1.5*9.5) ; COLOR : BLACK.
3. PLATING
 - 3-1. CONTACT : GOLD PLATING ON CONTACT AREA
BRIGHT TIN ON SOLDER AREA
 - 3-2. SHELL : NICKEL PLATING ON OVER ALL
4. SPECIFICATION :
 - 4-1. Water proof: IP67

WATERPROOF MINI USB TYPE B, 5P (FEMALE)

ACAD REFERENCE NO.: 690-W05-260-044

DRAWN: R.STA.MONICA DATE: MAY.01/2014

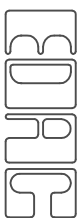
CHECKED: DATE:

PART NUMBER SHEET 1 OF 1
690-W05-260-044

DRAWING NUMBER ISSUE
690-W05-260-044 1



THIS SERIES FULLY CONFORMS TO THE
EUROPEAN UNION DIRECTIVES 2002/95/EC
AND 2002/96/EC FOR ROHS COMPLIANCY.



EDAC INC
TORONTO, ONTARIO
CANADA

YOUR CONNECTION TO QUALITY & SERVICE

THESE DRAWINGS AND SPECIFICATIONS
ARE THE PROPERTY OF EDAC INC. AND
SHALL NOT BE REPRODUCED OR COPIED
OR USED AS THE BASIS FOR THE
MANUFACTURE OR SALE OF APPARATUS
WITHOUT WRITTEN PERMISSION.