



About us:

Encitech is one of the largest manufacturers of covers for D-Sub connectors in the world. The company is based in Sweden and has 40 years experience in the design, manufacture and distribution of electronic components world-wide. Our core business is the manufacture of connectors and covers for both cable and board mount applications.

In addition to our manufactured product range, Encitech is also a Franchised Distributor for many well known manufacturers. This allows us to offer products and solutions for many industries including Automotive, Heavy Industry, Medical, Military, Telecommunications and Marine.

Our manufactured products are marketed under our own brand name of Encitech and are sold via our network of Distributors and Subsidiaries around the world.

History:

The company was founded 1974 as a sub-contractor to Ericsson for the supply of Sub-D Connectors and covers. In 1984, the company became a part of the Swedish enclosure manufacturer Eldon.

Since the year 2000, Encitech has been an independently held private company with its Group Head office located in the city of Halmstad, South West Sweden.

Encitech Key factors

- Own manufacturing & design department
- Global distribution network
- Offering a broad range of products for various applications
- Customized solutions
- Short lead time
- Competitive pricing
- Long experience of producing and distributing electronic components
- Large stock facilities
- High internal Quality Control systems



Business areas:



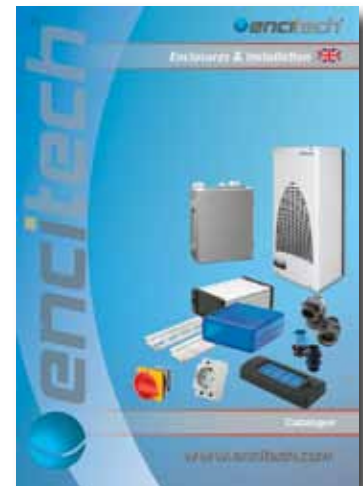
Cable mounted components

- Hoods & Covers
- D-Sub Connectors
- RJ45 Plugs
- Cable
- IP67/68 Connectors



Board mount components

- RJ45 Connectors
- Fuses
- Board Connectors & headers
- Transformers/Filters
- Terminal blocks



Enclosures & Installation

- Enclosures
- Boxes
- Flanges
- Cable glands
- Terminal blocks

Production and design:



Encitech has been manufacturing and designing hoods & covers since 1974 for electronic applications in plastic, metalized plastic and zinc material. The assortment of hoods & covers has been growing over the years and Encitech has today the widest assortment world-wide of these components.

Encitech is also manufacturing connectors, installation materials and components for board mounting. All manufactured products are marketed under our brand name "Encitech".

Distribution products:



Encitech is a franchised distributor for several world-leading brands that complements the company's own product range. For some of these brands, Encitech is acting as a sole-distributor.

These distribution products can be found within all three of the company's product areas.

Encitech AB

Rörkullsvägen 4
SE-302 41 HALMSTAD, Sweden

Tel.: +46-(0)35-15 13 90
Fax: +46-(0)35-15 13 99

www.encitech.com



M16-Panel mount connector
 Frontmounting, Solder cup
 USB 2.0 Type A

Protection: IP 65
 (Assembled with CAP)

Contacts: 4 + 1 Shield connection

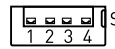
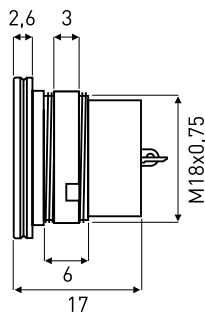
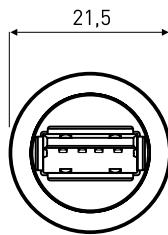
Terminal: Solder Cup

Housing material: Plastic, Black (PA)

Contact plating: Gold-plated

Kit: Including CAP + Circular nut

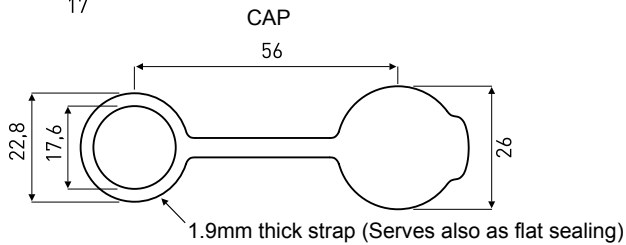
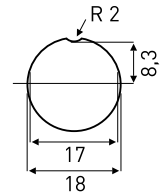
(mm)



Contacts USB A:

- 1 - +5V
- 2 - D-
- 3 - D+
- 4 - Earth
- S - Shield

Recommended
 Panel Cut-out



M16-Panel mount connector
 Frontmounting, USB 2.0 Type A

1310-1001-01

Accessories

1310-0099-01

Tool for Ring nut

USB 2.0-Cable

End 1: Panel Connector

with USB 2.0 Type A

End 2: Plug, USB 2.0 Typ A

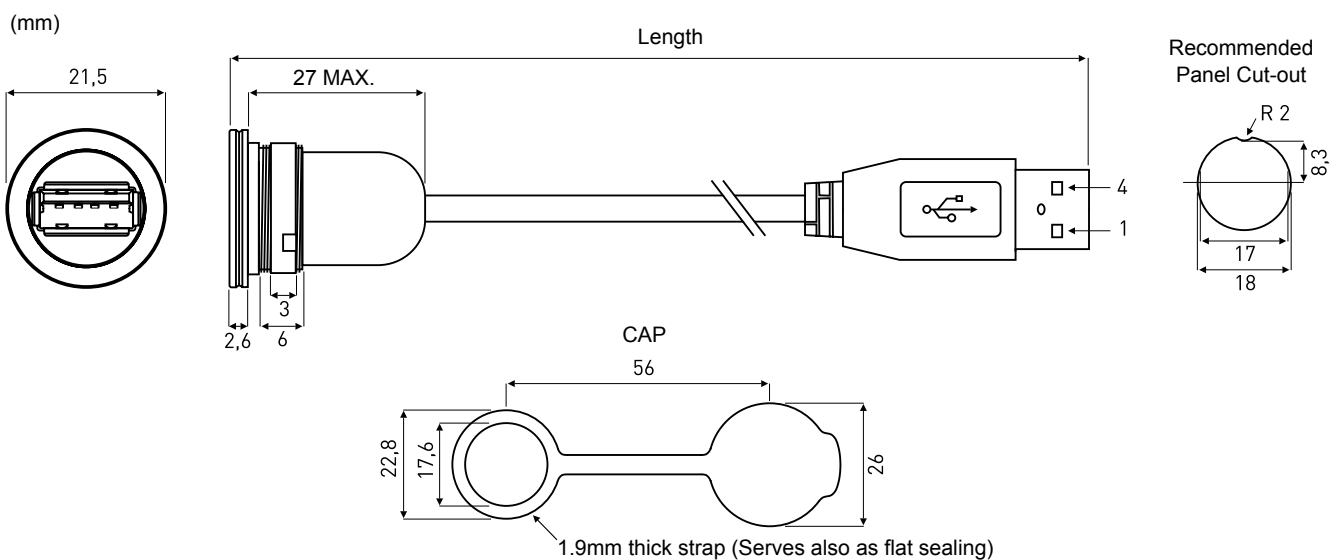
Protection: IP 65
(Assembled with CAP)

Contacts: 4

Housing material: Plastic, Black (PA)

Contact plating: Gold-plated

Kit: Including CAP + Circular nut



Length [m]	USB 2.0-Panel mount connector with Cable
0,5	1310-1002-01
1,0	1310-1002-02
1,5	1310-1002-03
2,0	1310-1002-04
3,0	1310-1002-05

Accessories	
1310-0099-01	Tool for Ring nut



M16-Panel mount connector Frontmounting, Solder cup USB 2.0 Type A

Protection: IP 54
(Assembled with CAP)

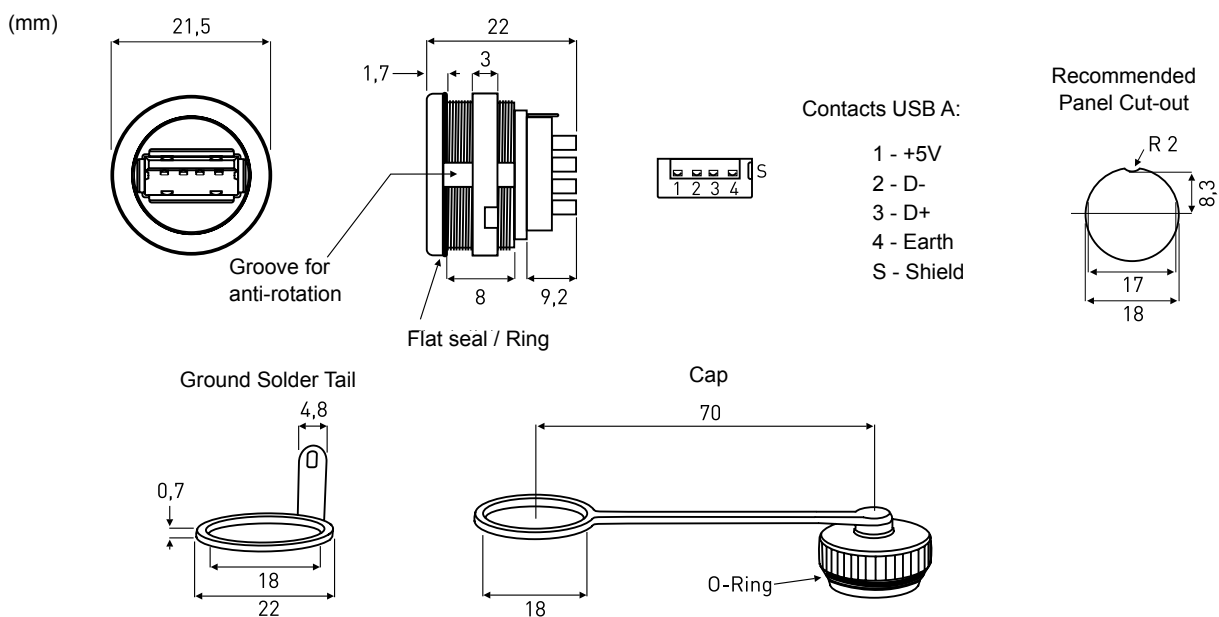
Contacts: 4 + 1 Shield connection

Terminal: Solder Cup

Housing material: Zinc

Contact plating: Gold-plated

Kit: Including CAP, ground solder tail + Circular nut



M16-Panel mount connector + Ground Solder Tail
Frontmounting, USB 2.0 Type A

1310-0003-01

Accessories

1310-0099-01

Tool for Ring nut

USB 2.0-Cable

End 1: Panel Connector

with USB 2.0 Type A

End 2: Plug, USB 2.0 Typ A

Protection: IP 54
(Assembled with CAP)

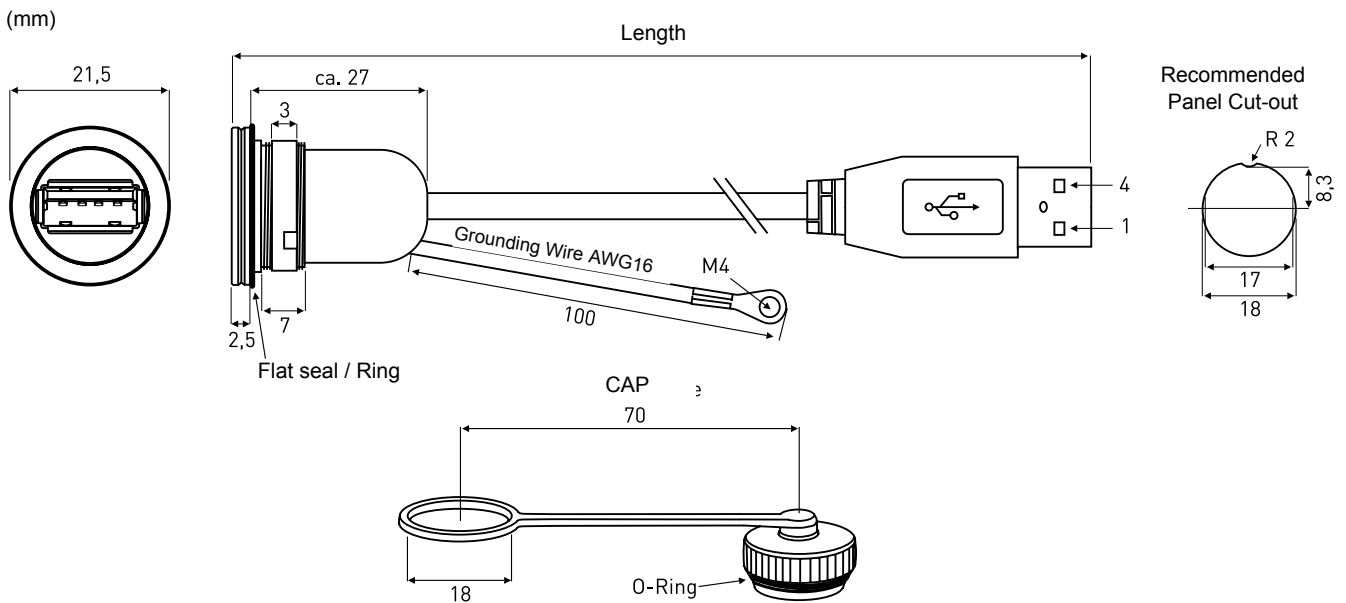
Contacts: 4

Connection: Stranded UL 1061, AWG 26 /
Grounding wire 0.5mm (green / yellow)

Housing material: Zinc

Contact plating: Gold-plated

Kit: Including CAP, Circular nut + premounted
grounding wire with O-Ring



Length [m]	USB 2.0-Panel mount connector with Cable
0,5	1310-0004-01
1,0	1310-0004-02
1,5	1310-0004-03
2,0	1310-0004-04
3,0	1310-0004-05

Accessories	
1310-0099-01	Tool for Ring nut



Connector Kit With USB 2.0 connector type A and 200 mm connection cable

Protection: IP 65
(Assembled with CAP)

Contacts: 4 + 1 Shield connection

Connection: Stranded UL 1061, AWG 26 /
Grounding wire 0.5mm (green / yellow)

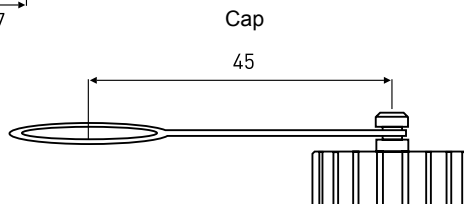
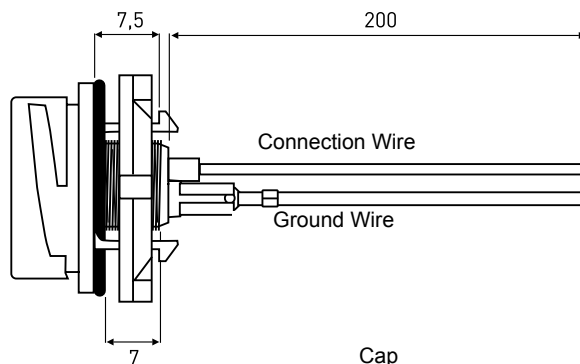
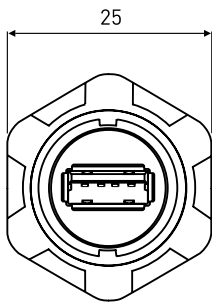
Housing material: Plastic, Black (PA)

Contact plating: Gold-plated

Kit: Including Contact, seal, screw cap,
cable, lock nut, ground braid

Note: Devices can be screwed or snapped in
7 mm wall units

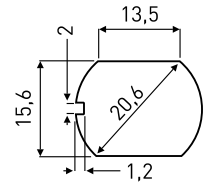
(mm)



Contacts USB A:

- 1 - +5V [Red]
- 2 - D+ [White]
- 3 - D- [Green]
- 4 - Earth [Black]

Recommended Panel Cut-out



USB 2.0-Connector Kit

1310-0005-01

Spare parts

1310-0006-01	Screw cap with tether
1310-0006-02	Seal
1310-0006-03	Locknut M20x1
1310-0006-04	Connection cable 200 mm (End 2 simple cut)
1310-0006-05	Ground wire 200 mm (End 2 simple cut)

USB 2.0-Connection Cable
 End 1: HAN® 3A-Connector housing
 with USB 2.0 Typ A contact
 End 2: Plug, USB 2.0 Typ A

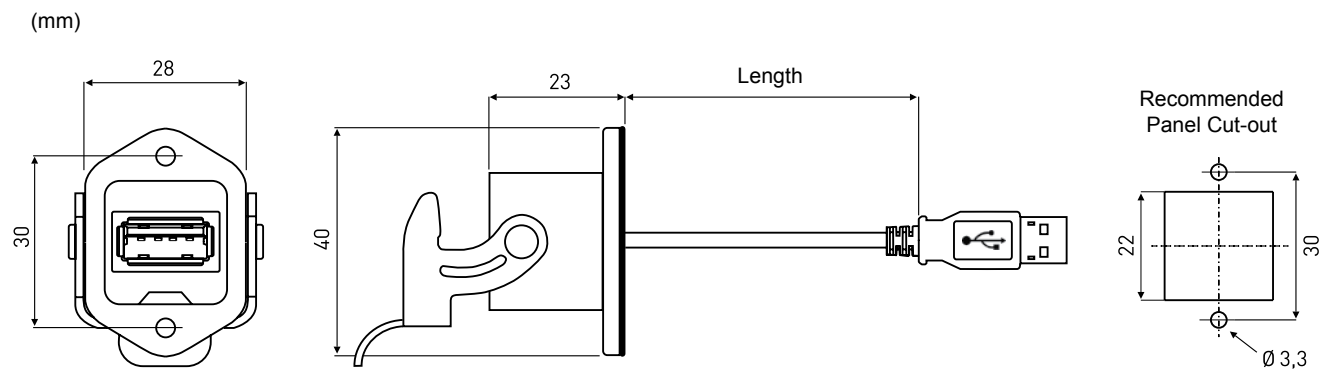
Protection: IP 65
 (In closed state w. Hinged Cap)

Contacts: 4

Materials: Aluminium / Plastic

Contact plating: Gold-plated

Kit: Including Cap + sealing



Length [m]	Housing / Type	USB 2.0-Connection cable
1,8	Plastic / With CAP	1310-0007-01
3,0	Plastic / With CAP	1310-0007-02
1,8	Metal / With CAP	1310-0007-03
3,0	Metal / With CAP	1310-0007-04
1,8	Metal / With hinged Lid	1310-0007-05
3,0	Metal / With hinged Lid	1310-0007-06



M12-Threaded Contact Rear mounting, Solder pin Mini-USB 2.0 Type B

Protection: IP 67
(Assembled with CAP)

Contacts: 4 + 1 Shield connection

Terminal: Solder Cup

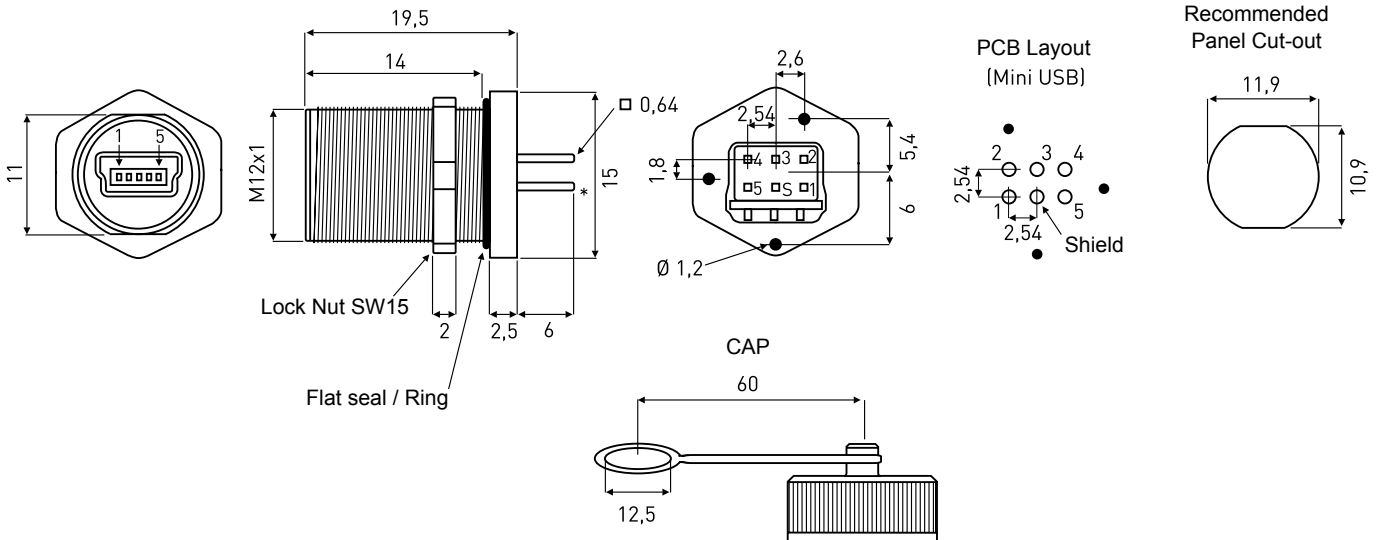
Housing material: Plastic, Black (PA)
UL 94-HB, black or metalized

Contact plating: Gold-plated

Kit: Including Gasket + Circular nut

Connection cable: See next page

(mm)



M12 Threaded Contact Rear mounting, Solder pin, Mini USB 2.0 Type B

Plastic
1310-0008-01

Metalized Plastic
1310-0008-02

Accessories

1310-0008-03

Plastic CAP

1310-0008-04

Lock Nut SW 15, 4mm thick

Mini-USB 2.0-Cable

End 1: M12 Connector with

Mini-USB 2.0 Type B

End 2: Plug, USB 2.0 Typ A

Protection: IP 67

(In locked condition with mating part)

Contacts: 4 + 1 Shield connection

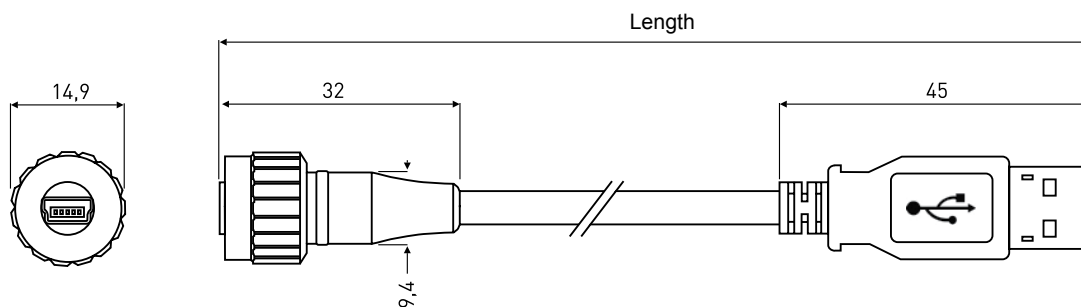
Housing material: Plastic, Black (PA)
UL 94-HB, black or metalized

Contact plating: Gold-plated

Mating part: See previous page



(mm)



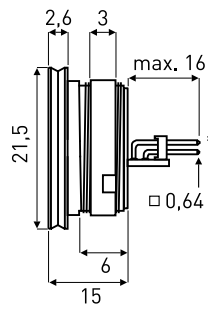
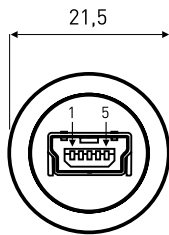
Length [m]	Mini USB 2.0-Connector with Cable
1,0	1310-0009-01
3,0	1310-0009-02
5,0	1310-0009-03



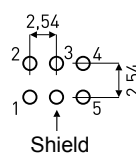
M16-Panel mount connector
 Frontmounting
 Mini-USB 2.0 Type B

Protection: IP 65
 (Assembled with CAP)
 Contacts: 4 + 1 Shield connection
 Connection: By 2x3 terminal, 2.54mm
 Housing material: Plastic, Black (PA)
 Contact plating: Gold-plated
 Kit: Including CAP + Circular nut

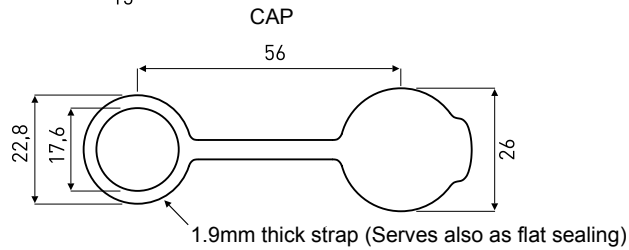
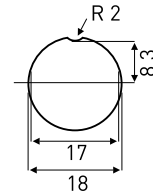
(mm)



PCB Layout
 [Mini USB]



Recommended Panel Cut-out



M16-Panel mount connector
 Frontmounting, Mini USB 2.0 Type AB

1310-0010-01

Accessories

1310-0099-01

Tool for Ring nut

Mini-USB 2.0-Cable

End 1: Panel Connector

with Mini-USB 2.0 Type B

End 2: Plug, Mini-USB 2.0 Typ B

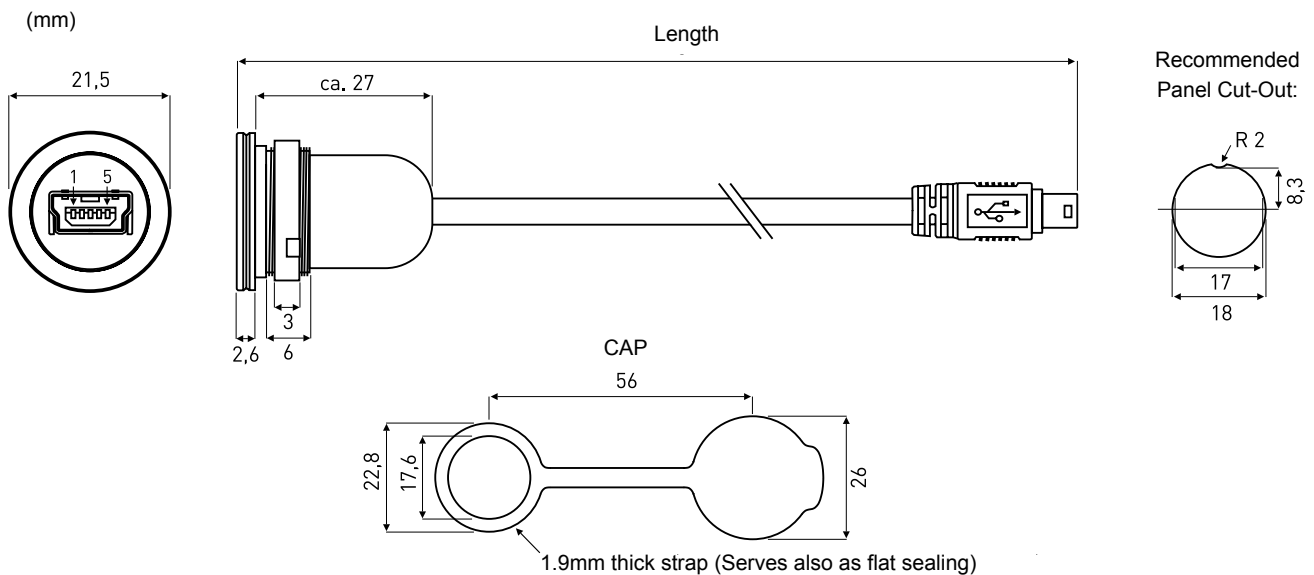
Protection: IP 65
(Assembled with CAP)

Contacts: 5

Housing material: Plastic, Black (PA)

Contact plating: Gold-plated

Kit: Including CAP + Circular nut



Length [m]	Mini USB 2.0-Panel connector with Cable
0,5	1310-0011-01
1,0	1310-0011-02
1,5	1310-0011-03
2,0	1310-0011-04
3,0	1310-0011-05

Accessories	
1310-0099-01	Tool for Ring nut



M16-Panel mount connector
 Frontmounting
 Micro-USB 2.0 Type B

Protection: IP 65
 (Assembled with CAP)

Contacts: 4 + 1 Shield connection

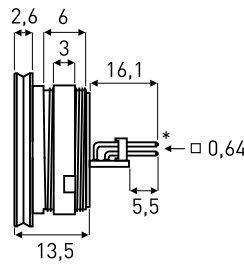
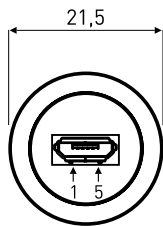
Connection: By 2x3 terminal, 2.54mm

Housing material: Plastic, Black (PA)

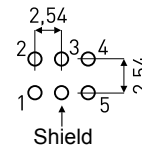
Contact plating: Gold-plated

Kit: Including CAP + Circular nut

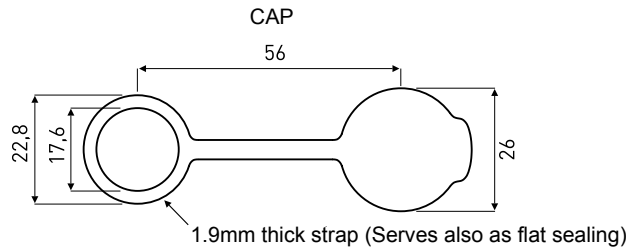
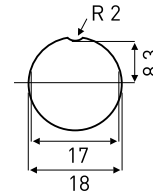
(mm)



PCB Layout
 [Mini USB]



Recommended Panel Cut-out



M16-Panel mount connector
 Frontmounting, Micro USB 2.0 Type B

1310-0012-01

Accessories

1310-0099-01

Tool for Ring nut

Micro-USB 2.0-Cable

End 1: Panel Connector

with Micro-USB 2.0 Type B

End 2: Plug, Micro-USB 2.0 Typ B

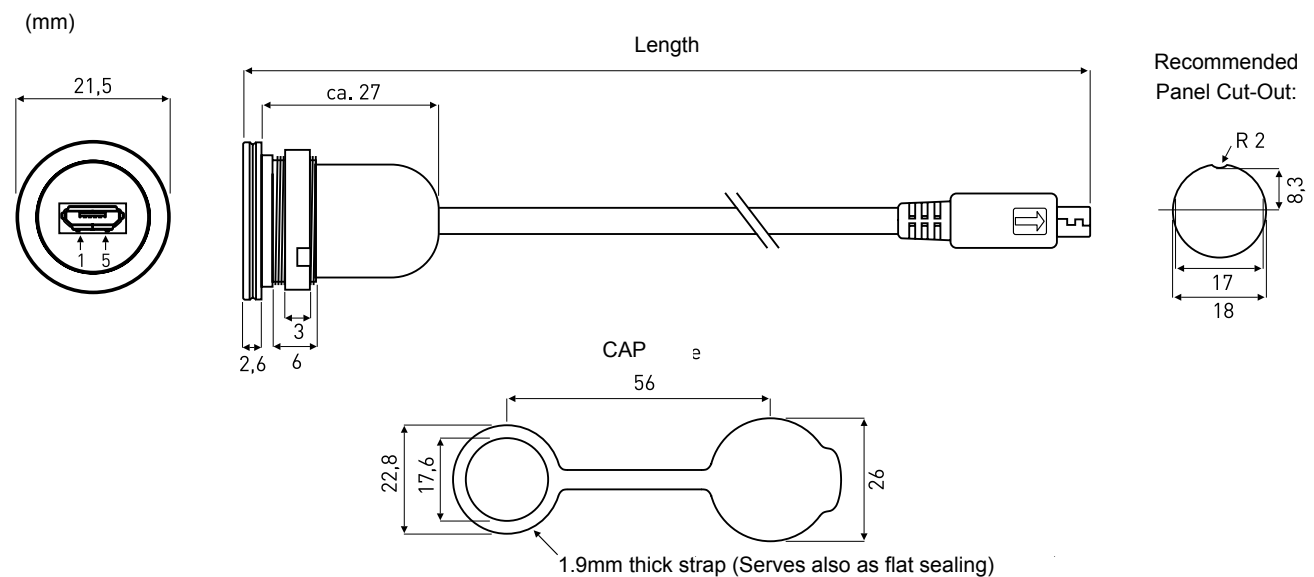
Protection: IP 65
(Assembled with CAP)

Contacts: 5

Housing material: Plastic, Black (PA)

Contact plating: Gold-plated

Kit: Including CAP + Circular nut



Länge m	Micro USB 2.0-Panel mount connector with Cable
0,5	1310-0013-01
1,0	1310-0013-02
1,5	1310-0013-03
2,0	1310-0013-04
3,0	1310-0013-05

Accessories	
1310-0099-01	Tool for Ring nut



Encitech Connectors AB

Rörkullsvägen 4
SE-302 41 HALMSTAD
Sweden

Tel: +46-35-15 13 90
Fax: +46-35-15 13 99
e-mail: connectors@encitech.com
web: www.encitech.com