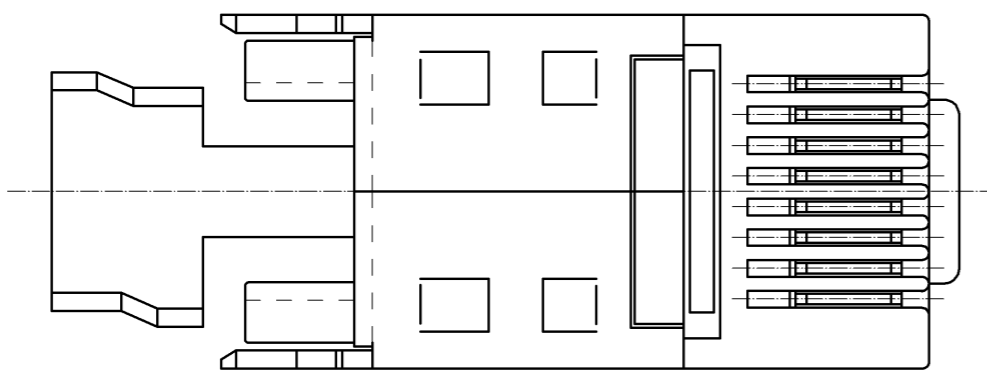
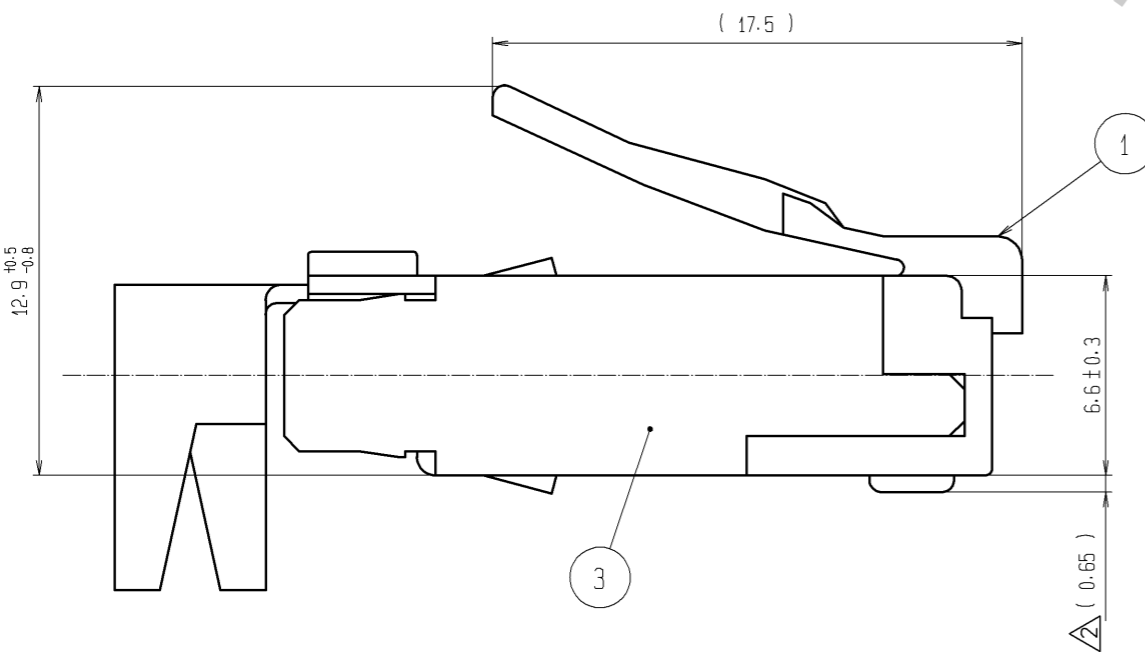
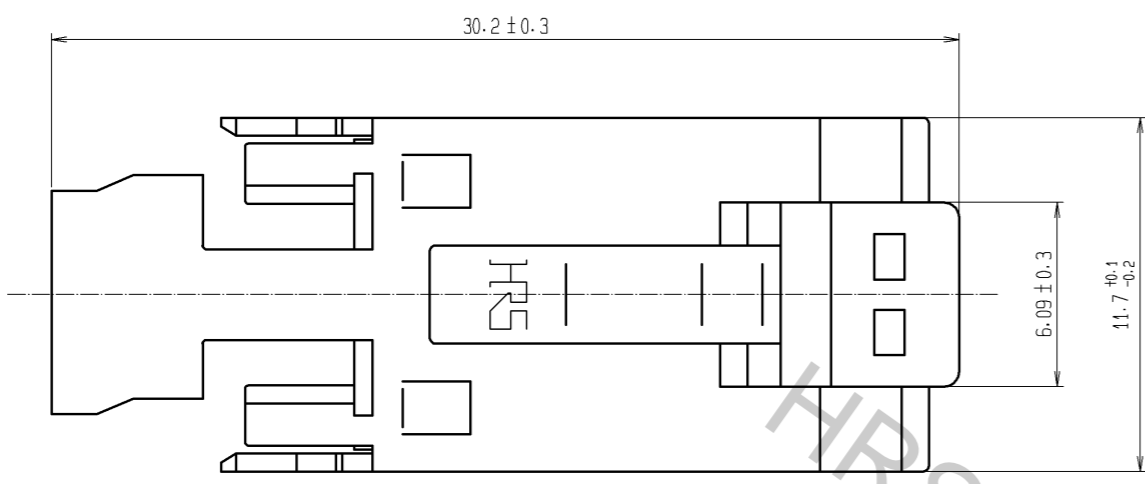


Mar.1.2018 Copyright 2018 HIROSE ELECTRIC CO., LTD. All Rights Reserved.



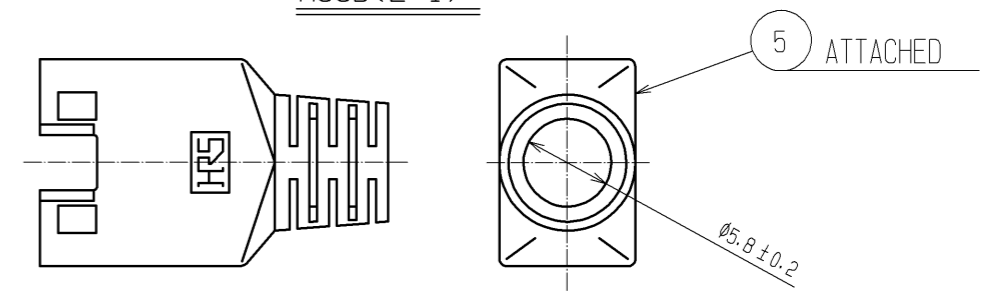
NOTES: 1

APPLICABLE CABLE

VINYL SEATH	( Ø5 )	DRAIN WIRE	WIRE	INSULATOR OUTER DIAMETER	0.90 TO 1.00 DIA.
FILLER		WIRE		CONDUCTOR SIZE (STRANDED)	AWG26~27 OR EQUIVALET
CONDUCTOR		INSULATOR	VINYL SEATH OUTER DIAMETER	Ø5.0	*(1)
		SHIELD	DRAIN WIRE	AWG 25 OR EQUIVALENT	7/0.18 DIA. *(2)

\*(1)CABLE ENTRY IS 5.6 MIN.  
\*(2)CONSTRUCTION IS FOR REFERENCE.

HOOD(2:1)



ADAPTER

2 ADAPTER SHALL BE USED TO ALIGN INDIVIDUAL WIRE.  
3 THE DIMENSION IN PARENTHESIS IS FOR REFERENCE.

2	PHOSPHOR BRONZE	UNDER :NICKEL PLATING 2µm min OVER :GOLD PLATING 1.27µm min	5	POLYCARBONATE	BLACK
1	POLYCARBONATE	TRANSPARENCY	4	POLYCARBONATE	TRANSPARENCY
			3	BRASS	UNDER :COPPER PLATING 0.5µm min OVER :TIN REFLOW PLATING 1µm min
NO.	MATERIAL	FINISH . REMARKS	NO.	MATERIAL	FINISH . REMARKS
UNITS	mm	SCALE	4 : 1	COUNT	3
		DESCRIPTION OF REVISIONS		DESIGNED	YH.MAMADA
		DIS-E-003517		CHECKED	YH.ENAMI
		DATE		10.11.26	
APPROVED : HO.MIWA 05.01.05			DRAWING NO. EDC3-120679-06		
CHECKED : TH.KAMEYA 05.01.05			PART NO. TM11AP-88P(03)		
DESIGNED : SS.SATOH 05.01.05			CODE NO. CL222-2780-6-03		
DRAWN : SS.SATOH 05.01.05			1/1		