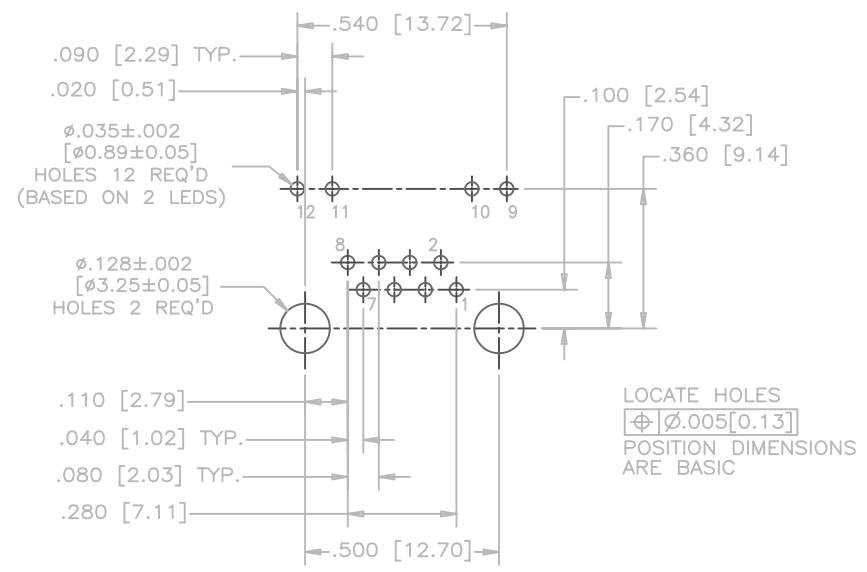
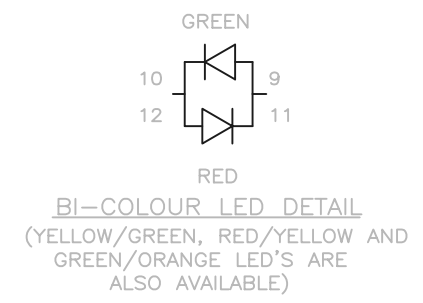
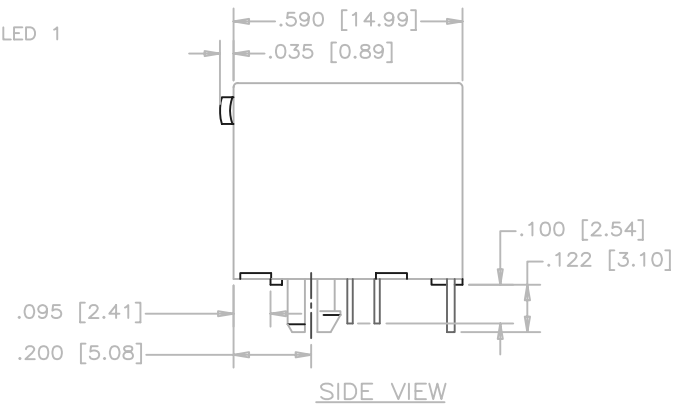
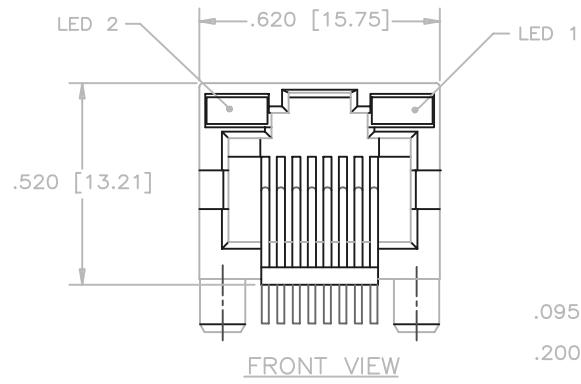
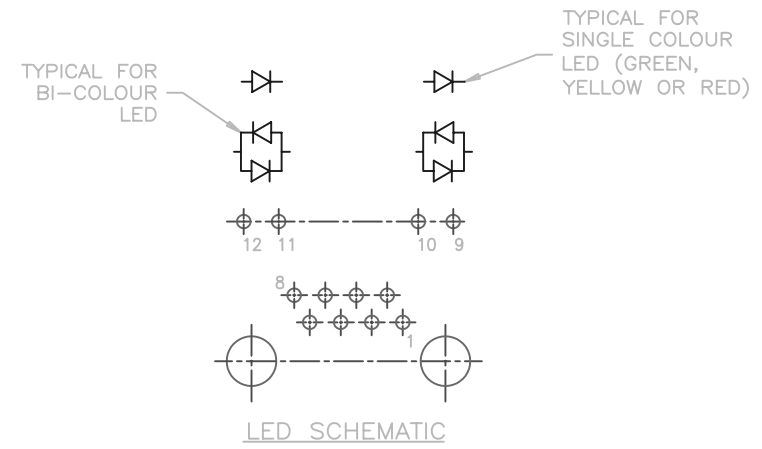


REVISIONS				
SYM	ZONE	ECN, ERN NO.	DATE	APPRD.
A		PROPOSAL		

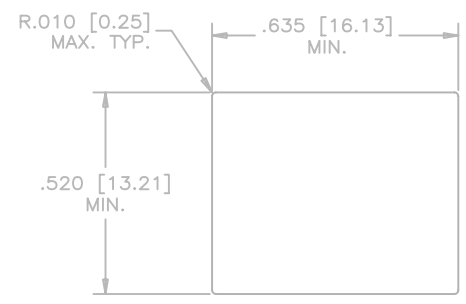


LOCATE HOLES  
 $\phi \pm 0.005 [0.13]$   
 POSITION DIMENSIONS ARE BASIC



**MATERIALS:**  
 HOUSING: ENGINEERING THERMOPLASTIC  
 FLAMMABILITY RATING UL 94V-0

**CONTACTS:**  
 PHOSPHOR BRONZE  
 PLATING: 50  $\mu$ " [1.27 MICRONS]  
 MIN. GOLD ON MATING SURFACES.  
 50  $\mu$ " [1.27 MICRONS]  
 MIN. NICKEL UNDERPLATE  
 100  $\mu$ " [2.54 MICRONS]  
 MIN. MATTE TIN ON CONTACT TAILS.



PART NUMBER: RJHSE-508X

REFER TO LED OPTIONS DRAWING FOR ORDERING CODES

THIS DOCUMENT CONTAINS PROPRIETARY INFORMATION AND SUCH INFORMATION MAY NOT BE DISCLOSED TO OTHERS FOR ANY PURPOSE OR USED FOR MANUFACTURING PURPOSES WITHOUT WRITTEN PERMISSION FROM AMPHENOL CANADA CORP.

DRAWN T.LIN	DATE 05/06/13	Amphenol Canada Corp.		
DESIGNED				
CHECKED L.CHAN	DATE 05/06/13	TITLE SINGLE-PORT HIGH SPEED RJ45 MODULAR JACK, WITH LEDS, 8 POS. 8 CONTACTS, NO SHIELD-RoHS COMPLIANT.		
I. E. APPRD.		DWG	DRAWING NO. P-RJHSE-508X	REV. A
Q. A. APPRD.		REF. EAR #12765		
DWG. APPRD.		DIMENSIONS ARE IN INCHES [mm] CODE ID. NO. 03554		
ENG. REL. NO.		SCALE:	WT. -----	SURF. -----
SHEET 1 OF 1				