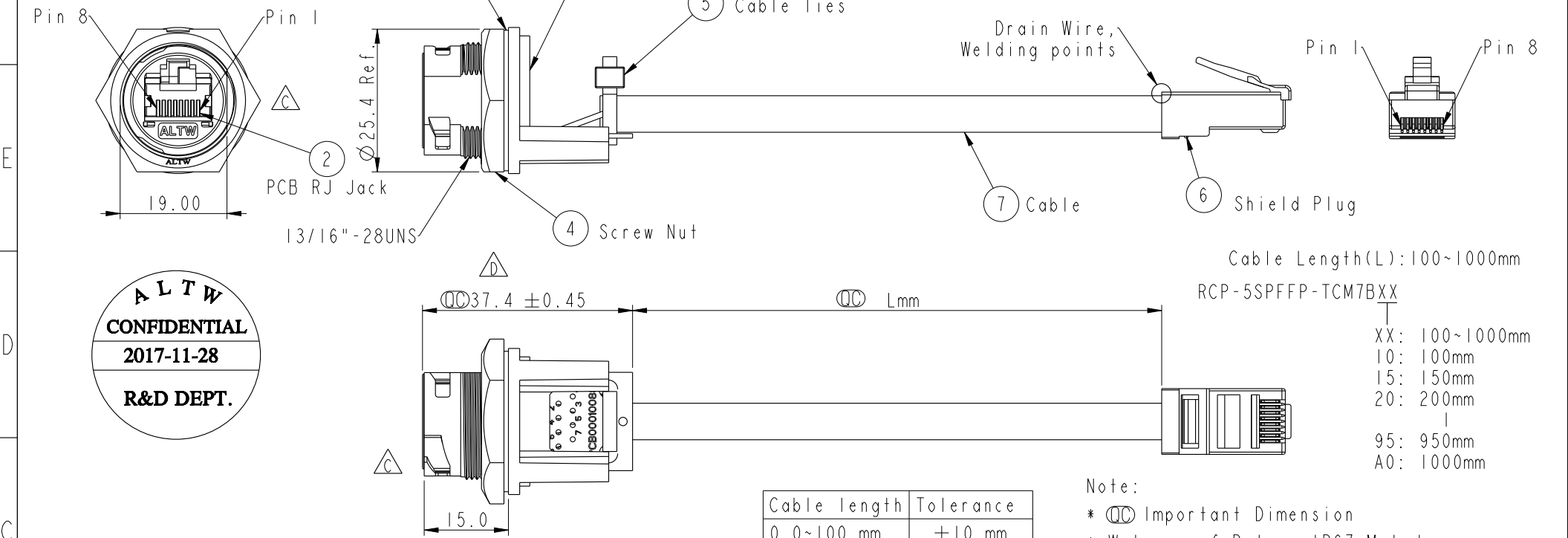


THIS DOCUMENT IS SUBJECT TO CHANGE WITHOUT NOTICE. IT IS CONFIDENTIAL AND A PROPERTY OF AMPHENOL LTW. DISCLOSURE TO THIRD PARTY HAS TO BE AUTHORIZED BY AMPHENOL LTW.

REV.	ECN NO.	DATE	SIGN	DESCRIPTION
C	LEN1440188	2014-04-19	Tom_gu	Change D Cut
D	LEN1810014-016	2017-11-28	Jalam	Modify the Tolerance



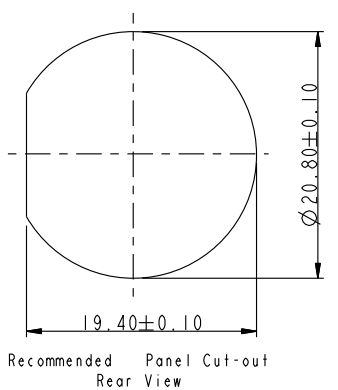
**ALTW**  
CONFIDENTIAL  
2017-11-28  
R&D DEPT.

Cable length	Tolerance
0.0~100 mm	±10 mm
101~300 mm	±15 mm
301~1000 mm	±20 mm

- Note:
- \*  $\text{CC}$  Important Dimension
  - \* Waterproof Rate : IP67 Mated
  - \* Housing : Nylon+GF, UL 94V-0, BLACK
  - \* Screw Nut : Nylon+GF, UL 94V-0, BLACK
  - \* Gasket : Silicone, UL 94V-0, Gray.
  - \* PCB: FR-4
  - \* Cable: CAT5E FTP 24#\*4P+D+AL/MY, 6.5
  - \* Jack : PBT Polyester UL 94V-0
  - \* Use without Waterproof cap or Dust cap  
For Panel Thickness Max: 3.0mm
  - \* Use with Waterproof cap or Dust cap  
For Panel Thickness Max: 1.8mm
  - \* Screw torsion value range: 8~12kgf-cm

**ALTW**  
DCC. DEPT.  
CONFIDENTIAL  
2018.01.10  
ISSUED

Shield	Drain Wire	接地線	Shield	
8	Brown	棕	8	Twist
7	White/Brown	白/棕	7	
6	Green	綠	6	Twist
5	White/Blue	白/藍	5	
4	Blue	藍	4	Twist
3	White/Green	白/綠	3	
2	Orange	橘	2	Twist
1	White/Orange	白/橘	1	
Jack	Wire Color		Plug	
	Pin Out			



UNIT : mm TOLERANCE .X ±0.25 .XX ±0.1 .XXX ±0.05 ANGLES ±1°	TITLE <b>RJ45, C SIZE, MATED WATERPROOF</b>		<b>Amphenol LTW</b> 安費諾亮泰企業股份有限公司		ITEM NO. RCP-5SPFFP-TCM7BXX	DRAWN BY Jalam	DATE 2017-11-28	
	SCALE 1:1	SIZE A4			SHEET 1 OF 1	DWG NO. RCP-5SPFFP-TCM7BXX	CHECKED BY Feng_Li	DATE 2017-11-28
	REV. D	WC-REV. B.4			$\text{CC}$ : Inspection item	CUSTOMER ALTW	APPROVED BY Jerry	DATE 2017-11-28