



Keystone Surface Mount Box

Part no.: NK4038

Technical Features

Suitable for 2 keystone jacks

Dimensions: 50 x 50 x 30mm

Material: ABS, UL94V-0

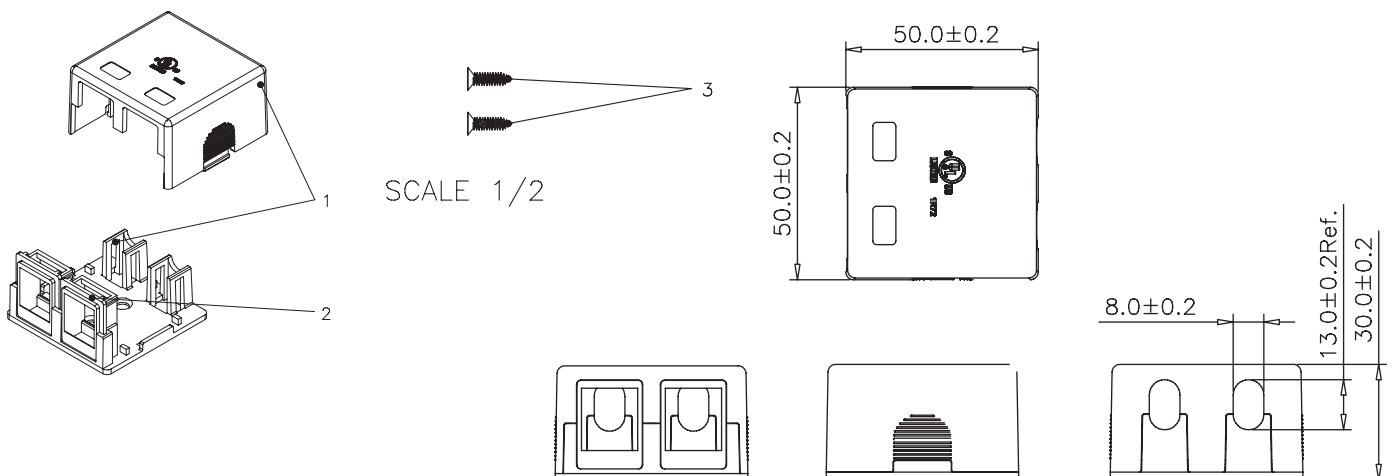
Snap on 2 piece base & cover

Adhesive Backing

Screws: M4 x 13.0 x 7.0mm

Color: white

Technical Drawings



NK4038



4 052792 038378

Made in China

www.logilink.de



RoHS
compliant



* The specifications and pictures are subject to change without notice.
*All trade names referenced are the registered trademark of their respective owners.

Package Contents

Keystone Surface Mount Box x1

Packaging Informations

Packing Dimension	mm
Packing Weight	kg
Carton Dimension	mm
Carton Q'ty	pcs
Carton Weight	kg



NK4038



4 052792 038378

Made in China

www.logilink.de



RoHS
compliant



* The specifications and pictures are subject to change without notice.
*All trade names referenced are the registered trademark of their respective owners.